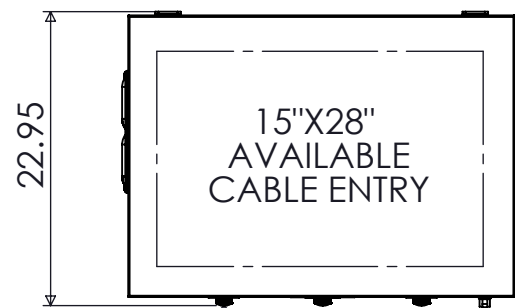
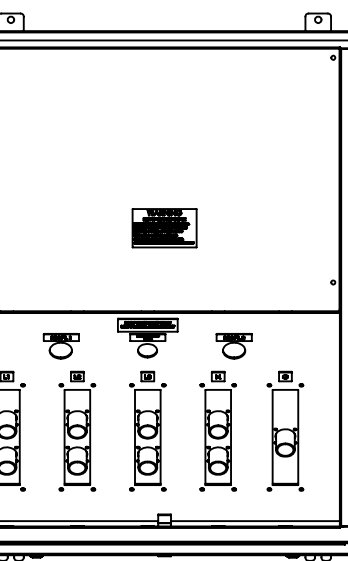
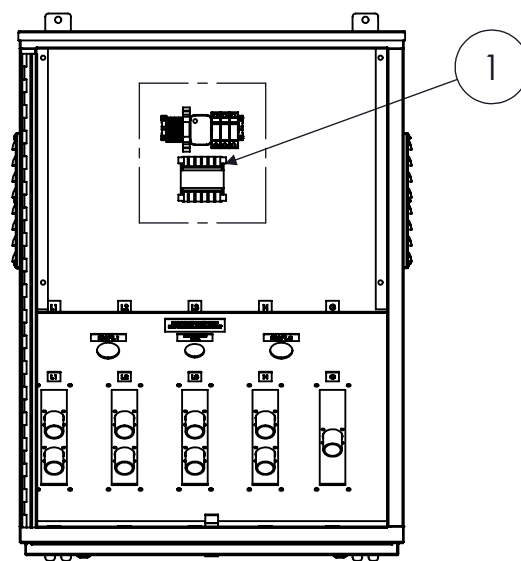


SPECIAL NOTES:

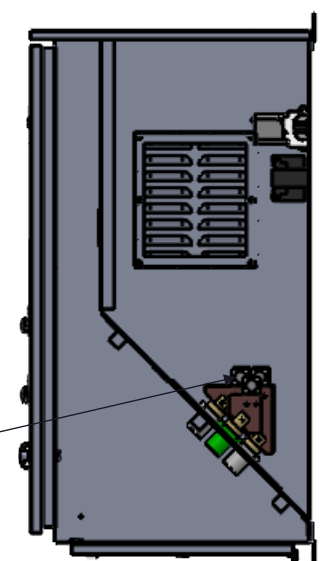
- 1) IF CAMLOKS ARE MALE, CONNECTION LABELS ARE: L1, L2, L3
- 2) IF CAMLOKS ARE MALE, USE "POWER INLET" LABEL
- 3) IF CAMLOKS ARE FEMALE, CONNECTION LABELS ARE: T1, T2, T3
- 4) IF CAMLOKS ARE FEMALE, USE "POWER OUTLET" LABEL



TOP VIEW

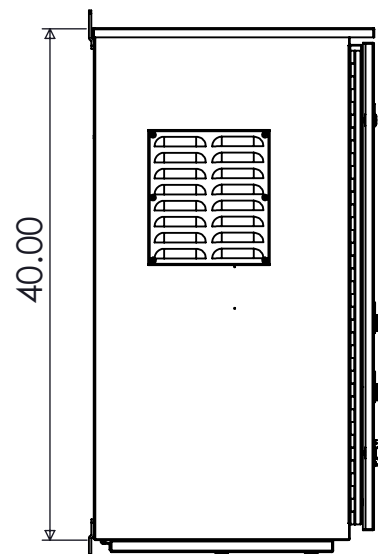


FRONT VIEW DOOR REMOVED

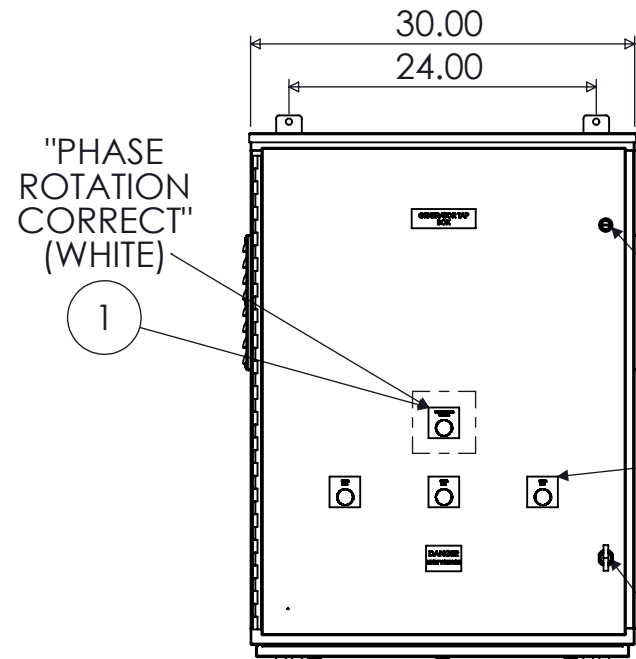


PERMANENT CONNECTIONS
(2) #2-750 MCM LINE / NEUTRAL
(1) #2-750 MCM GROUND

SIDE VIEW INTERIOR



SIDE VIEW

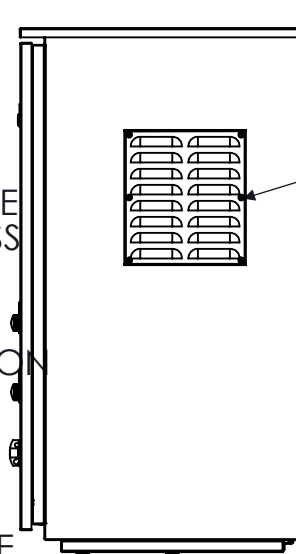


FRONT VIEW

PADLOCKABLE FRONT ACCESS DOOR

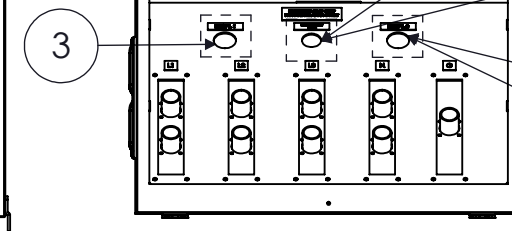
PHASE INDICATION LIGHTS (3X)

PADLOCKABLE WINGKNOB LATCH



SIDE VIEW

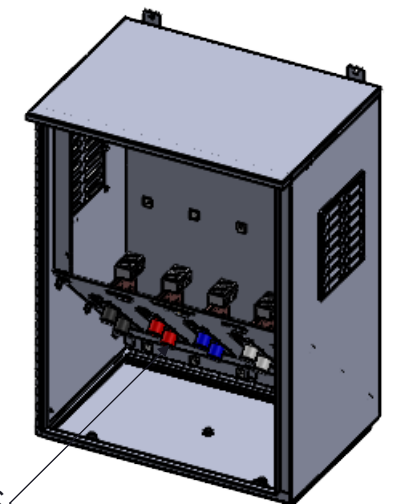
SIDE VENT 2X



BOTTOM VIEW DOOR REMOVED

2-WIRE START RECEPTACLE

BLOCK HEATER RECEPTACLE



TRIMETRIC VIEW INTERIOR

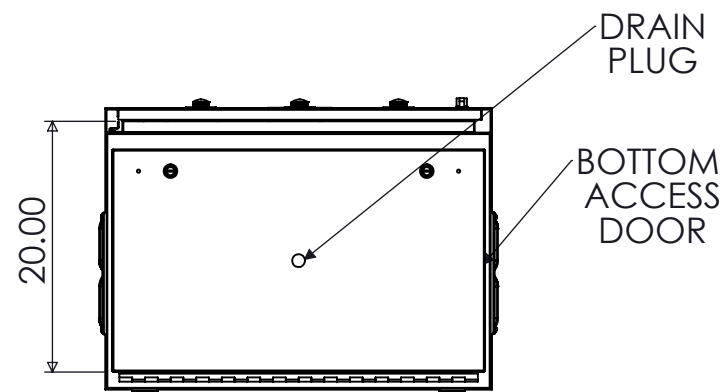
ANGLED CAM-LOK RECEPTACLES

OPTIONS NOTES:

- 1) PHASE REVERSAL OPTION
- 2) 2-WIRE START OPTION
- 3) BLOCK HEATER RECEPT. OPTION

RECEPTACLE COLOR SCHEME

	L1	L2	L3	N	GND
240V	BLK	RED	BLU	WHT	GRN
480V	BRN	ORG	YEL	WHT	GRN
600V	BLK	BLK	BLCK	WHT	GRN



BOTTOM VIEW

DRAIN PLUG

BOTTOM ACCESS DOOR

NOTES

1. ENCLOSURE RATED NEMA 3R
2. TYPE 316 STAINLESS STEEL AVAILABLE
3. 3Φ, 4-WIRE SHOWN. ALTERNATE CONFIGURATIONS AVAILABLE
4. MAX VOLTAGE- 600VAC
5. STANDARDS - UL508A

PSI Power & Controls
9900 TWIN LAKES PARKWAY
CHARLOTTE, NC 28269
704-596-5617
PSICONTROLSOLUTIONS.COM

800A, NEMA 3R GENERATOR TAP BOX

REV	DESCRIPTION	DATE	DRAWN	C. JUNG
0	ORIGINAL RELEASE	1/9/15	CHECKED	
1	OPTIONS ADDED	9/30/21	SUP. NO	
			SUP. BY NO	
			PANEL NO	
			BUL. NO	
			GROUP NO	
			ORDER NO	

DRAWING TYPE
DIMENSIONAL
DRAWING NUMBER
PL800GTBMM