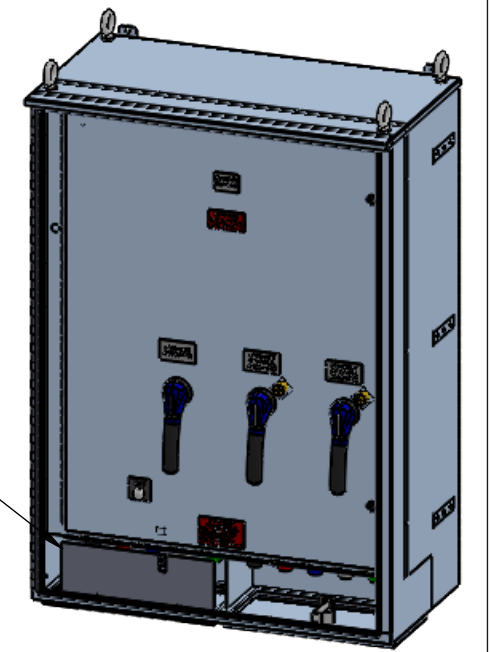
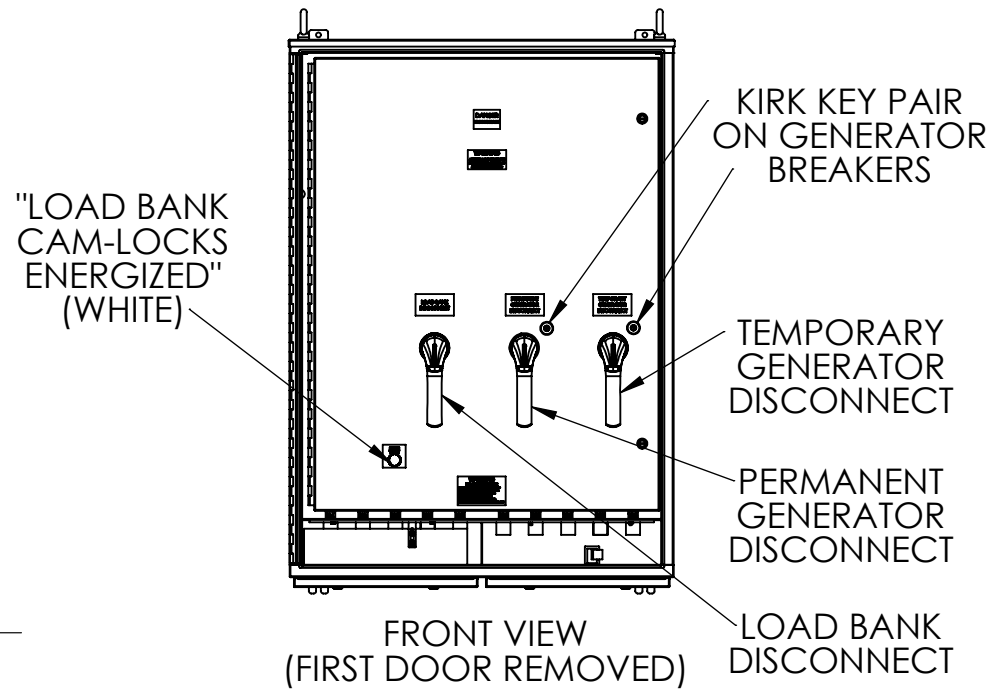
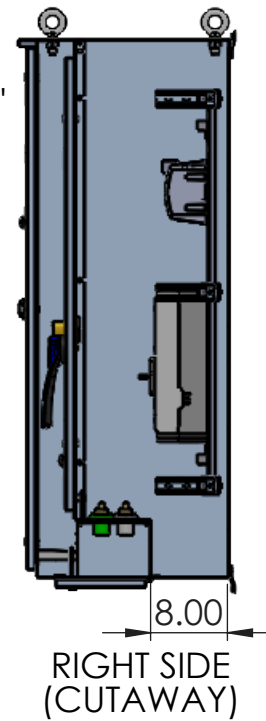
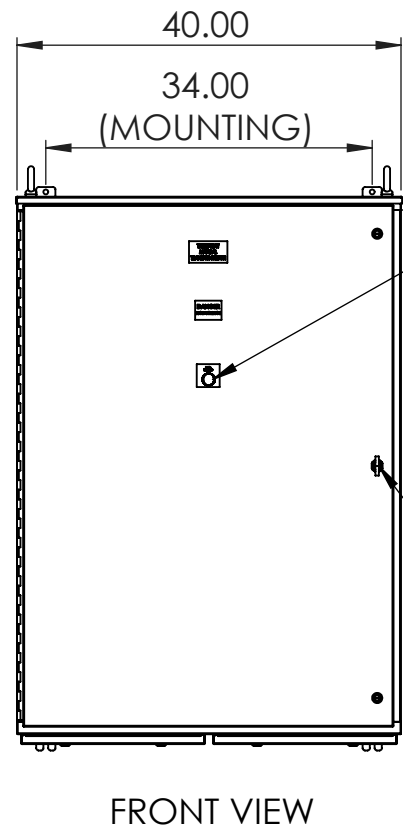
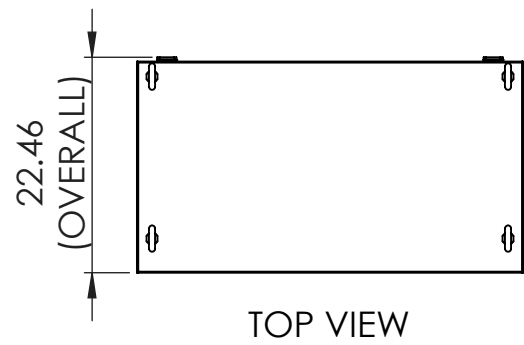


SPECIFICATIONS

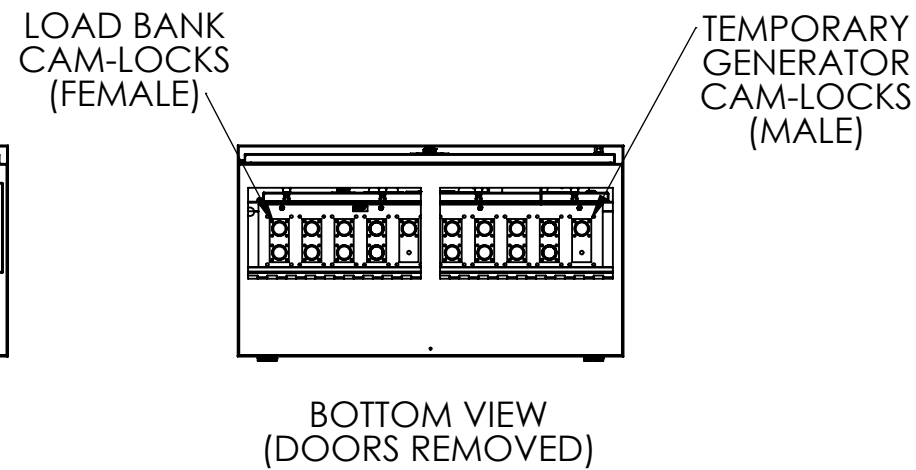
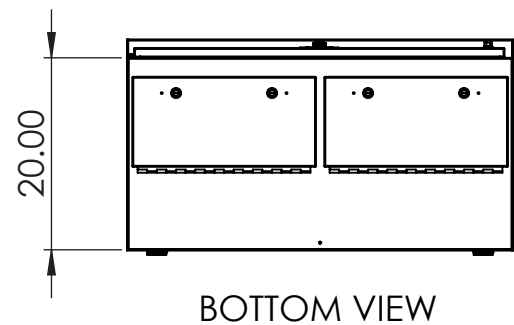
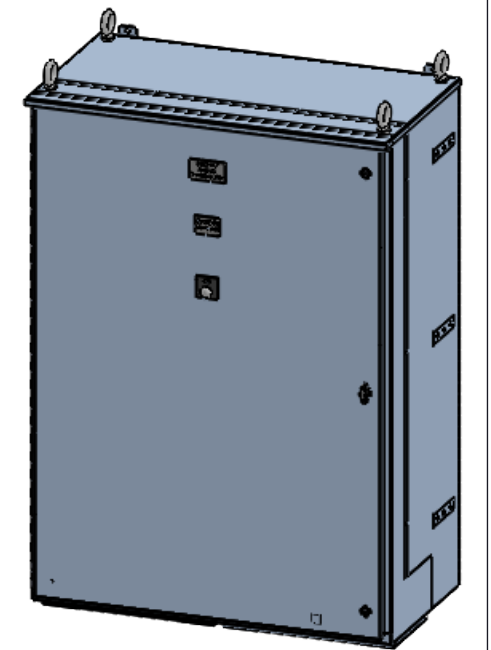
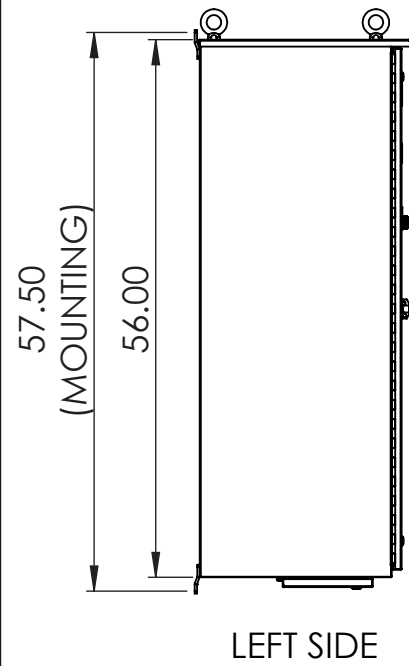
MAX VOLTAGE - 600VAC
 CURRENT RATING - 800A
 ENCLOSURE RATING - NEMA 3R
 REF. - ES3WMTS
 EST. SHIPPING WEIGHT - 650LBS

NOTES:

1. GENERATOR BREAKERS ARE MECHANICALLY INTERLOCKED WITH A KIRK KEY PAIR, ONLY ONE CAN BE ENERGIZED AT A TIME.
2. TEMPORARY GENERATOR CAM-LOCK ACCESS DOOR CAN'T BE OPENED UNLESS FRONT DOOR IS OPENED FIRST.
3. LOAD BANK CAM-LOCK ACCESS DOOR CAN'T BE OPENED UNLESS INTERIOR DOOR IS OPENED FIRST, ENSURING ALL BREAKERS ARE OFF AND CAM-LOCKS ARE DE-ENERGIZED.



LOAD BANK CAM-LOCKS PROTECTED BY INTERLOCK/GUARD

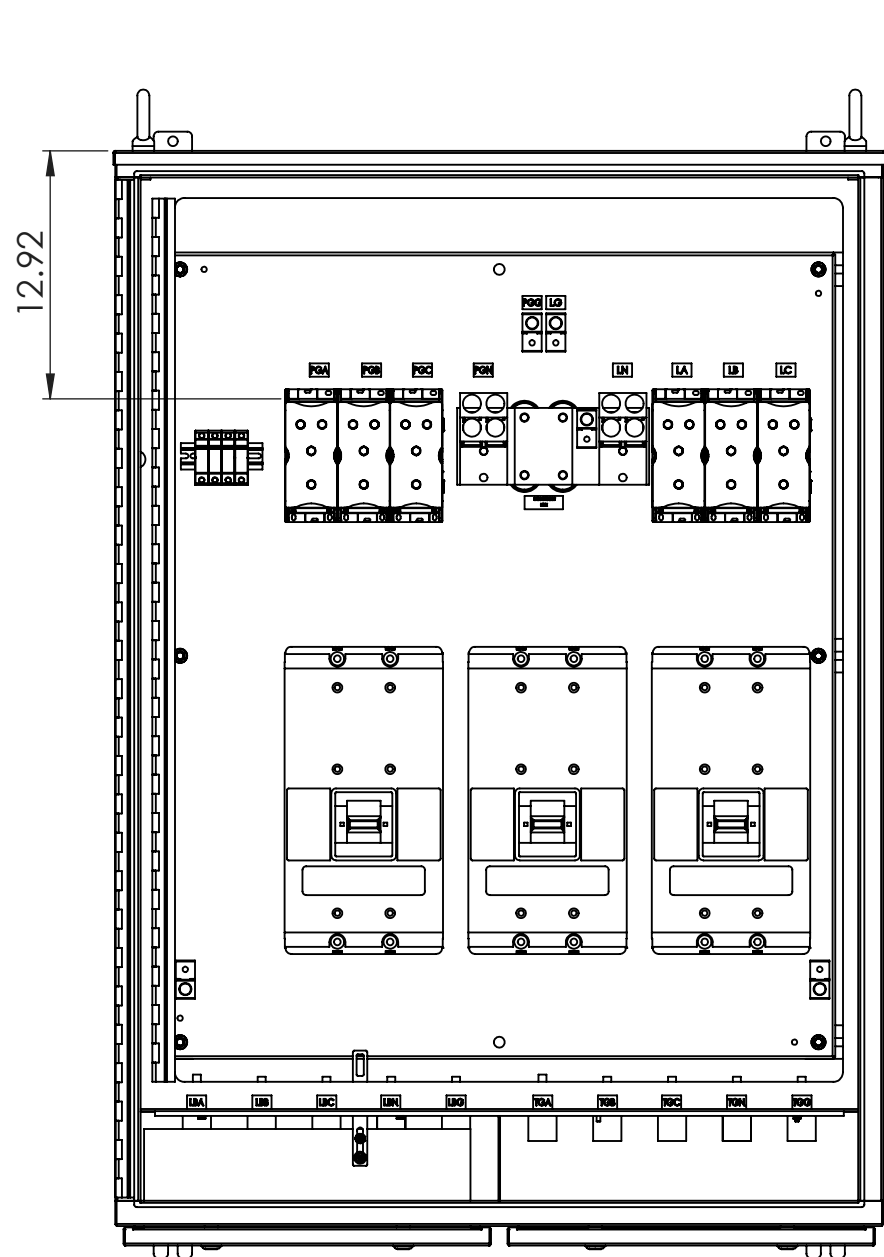


RECEPTACLE COLOR SCHEME

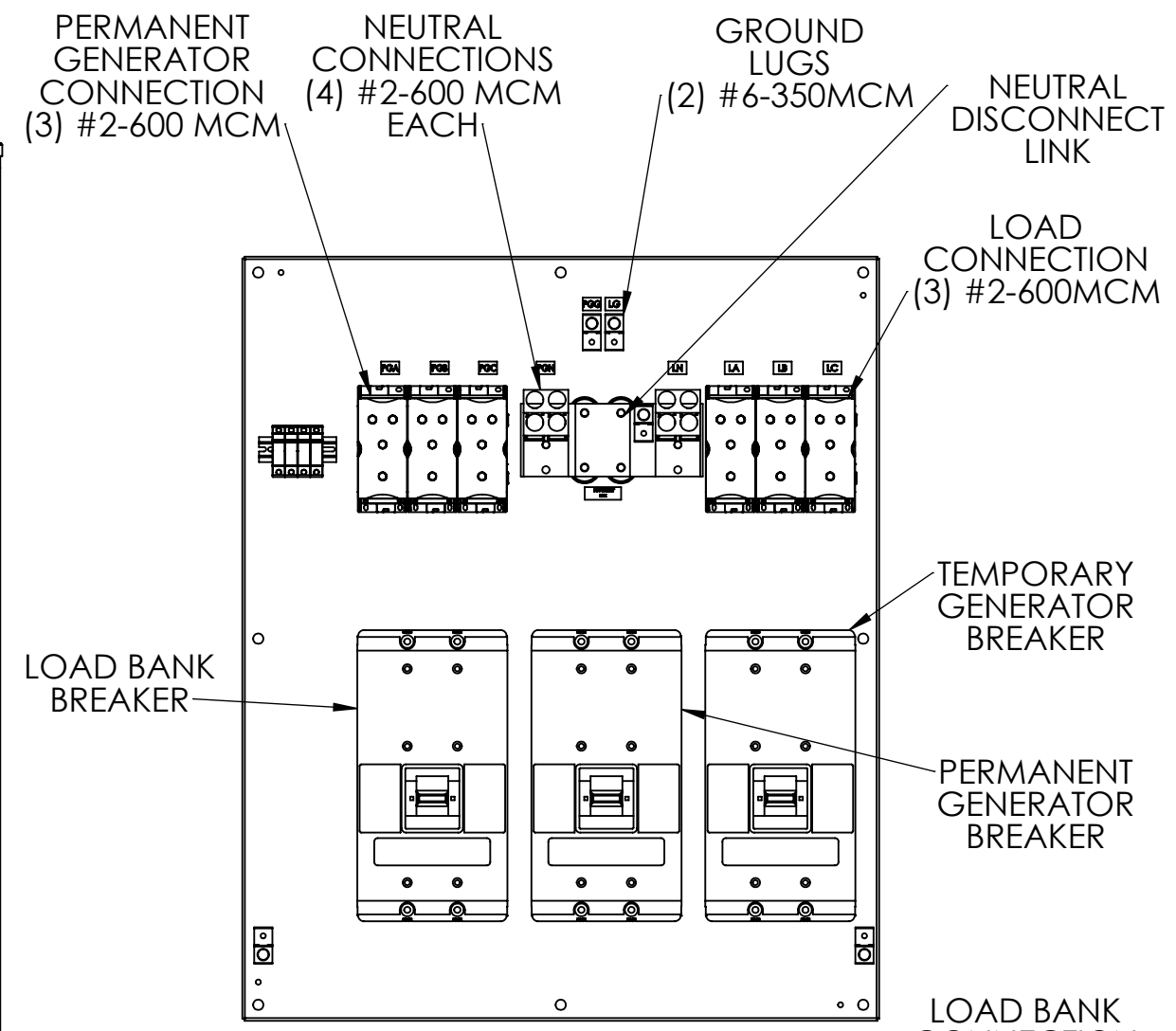
	L1	L2	L3	N	GND
240V	BLK	RED	BLU	WHT	GRN
480V	BRN	ORG	YEL	WHT	GRN
600V	BLK	BLK	BLK	WHT	GRN

 9900 TWIN LAKES PARKWAY
 CHARLOTTE, NC 28269
 704-596-5617
 PSICONTROLSOLUTIONS.COM

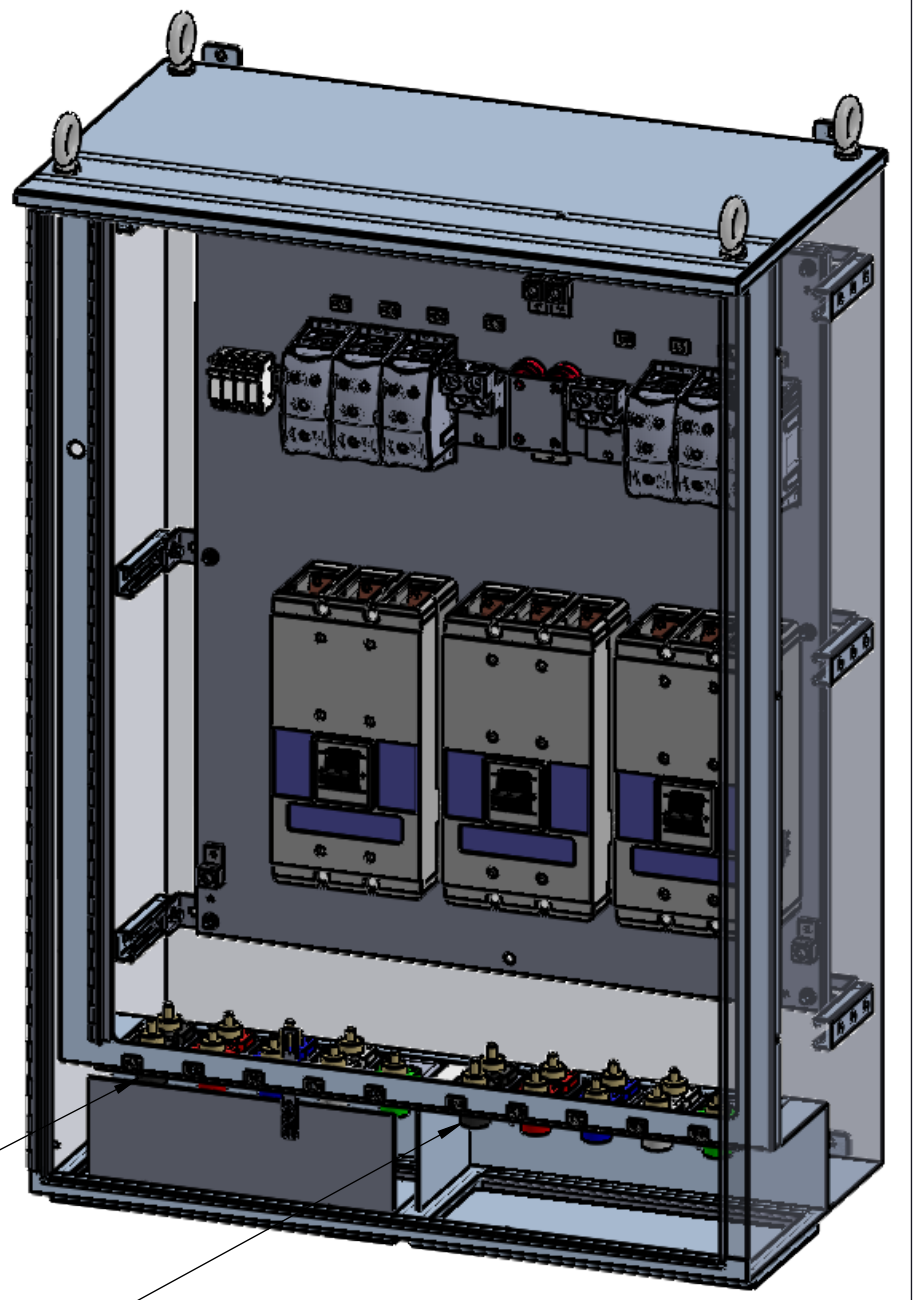
800A NEMA 3R 3-WAY MANUAL TRANSFER SWITCH			
REV	DESCRIPTION	DATE	DRAWN: D. DENNY
0	ORIGINAL RELEASE	3/25/20	CHECKED:
			SUP. NO:
			SUP. BY NO:
			PANEL NO:
			BUL. NO:
			GROUP NO:
			ORDER NO:
DRAWING TYPE			DIMENSIONAL
DRAWING NUMBER			3WMTS800N3R



INTERIOR VIEW



SUBPANEL VIEW



DIMETRIC INTERIOR VIEW

PERMANENT GENERATOR CONNECTION (3) #2-600 MCM

NEUTRAL CONNECTIONS (4) #2-600 MCM EACH

GROUND LUGS (2) #6-350MCM

NEUTRAL DISCONNECT LINK

LOAD CONNECTION (3) #2-600MCM

LOAD BANK BREAKER

TEMPORARY GENERATOR BREAKER

PERMANENT GENERATOR BREAKER

LOAD BANK CONNECTION (FEMALE CAM-LOCKS)

TEMPORARY GENERATOR CONNECTION (MALE CAM-LOCKS)

800A NEMA 3R 3-WAY MANUAL TRANSFER SWITCH			
REV	DESCRIPTION	DATE	DRAWN: D. DENNY
0	ORIGINAL RELEASE	3/25/20	CHECKED:
			SUP. NO:
			SUP. BY NO:
			PANEL NO:
			BUL. NO:
			GROUP NO:
			ORDER NO:


 9900 TWIN LAKES PARKWAY
 CHARLOTTE, NC 28269
 704-596-5617
 PSICONTROLSOLUTIONS.COM

DRAWING TYPE
OUTLINE

DRAWING NUMBER
3WMTS800N3R

SHEET 2 OF 2