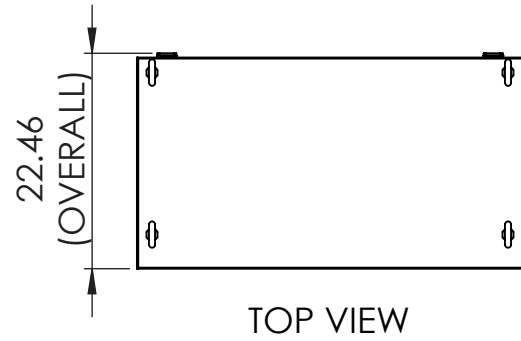


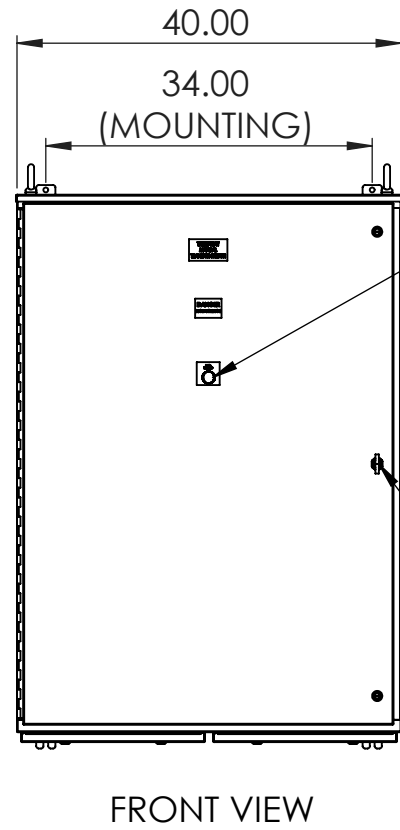
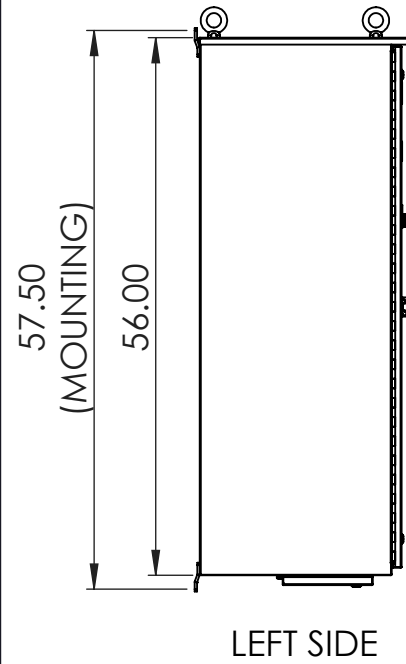
SPECIFICATIONS

MAX VOLTAGE - 600VAC
 CURRENT RATING - 600A
 ENCLOSURE RATING - NEMA 3R
 REF. - ES3WMTS
 EST. SHIPPING WEIGHT - 650LBS



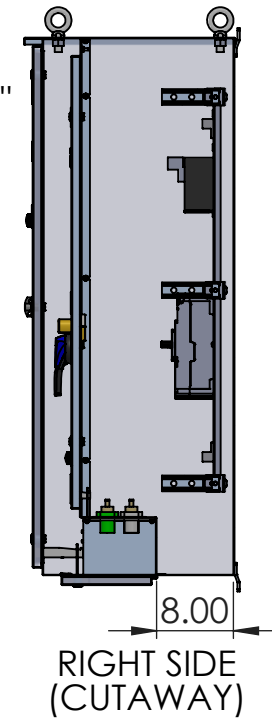
NOTES:

1. GENERATOR BREAKERS ARE MECHANICALLY INTERLOCKED WITH A KIRK KEY PAIR, ONLY ONE CAN BE ENERGIZED AT A TIME.
2. TEMPORARY GENERATOR CAM-LOCK ACCESS DOOR CAN'T BE OPENED UNLESS FRONT DOOR IS OPENED FIRST.
3. LOAD BANK CAM-LOCK ACCESS DOOR CAN'T BE OPENED UNLESS INTERIOR DOOR IS OPENED FIRST, ENSURING ALL BREAKERS ARE OFF AND CAM-LOCKS ARE DE-ENERGIZED.

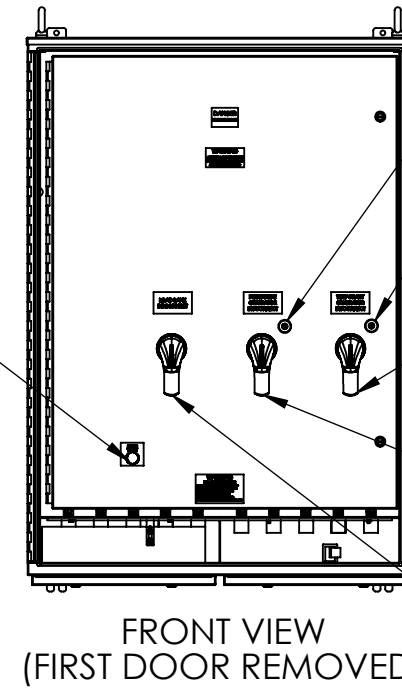


"LOAD ENERGIZED"
(WHITE)

PADLOCKABLE
WINGKNOB
LATCH



"LOAD BANK
CAM-LOCKS
ENERGIZED"
(WHITE)



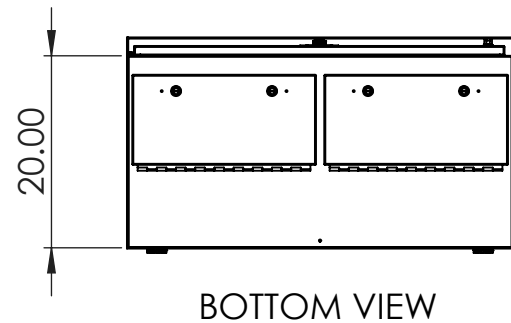
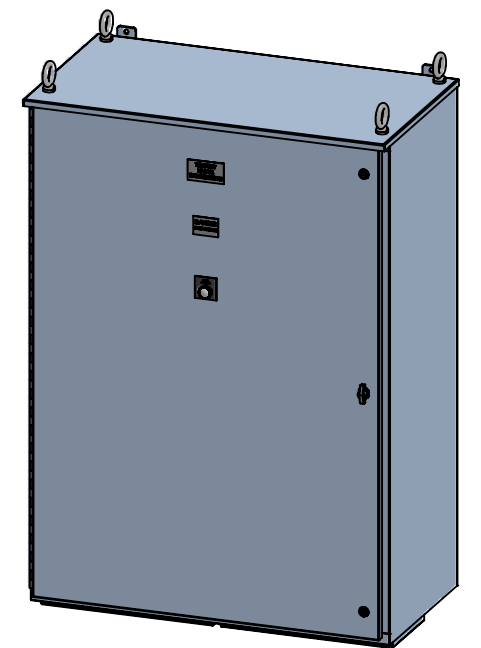
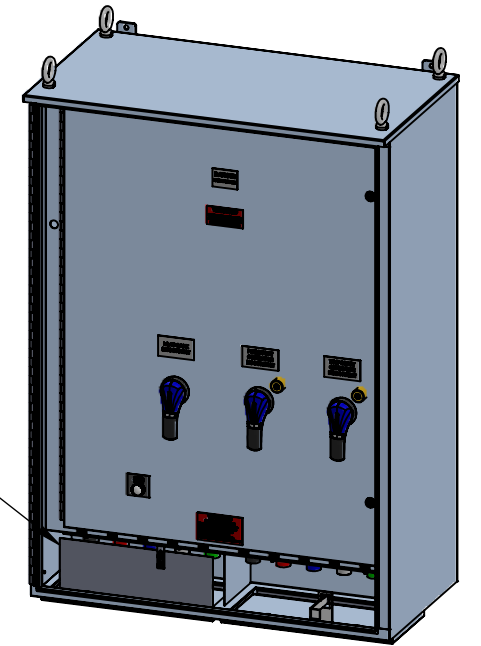
LOAD BANK
CAM-LOCKS
PROTECTED BY
INTERLOCK/GUARD

KIRK KEY PAIR
ON GENERATOR
BREAKERS

TEMPORARY
GENERATOR
DISCONNECT

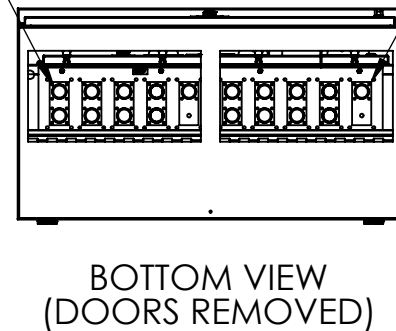
PERMANENT
GENERATOR
DISCONNECT

LOAD BANK
DISCONNECT



LOAD BANK
CAM-LOCKS
(FEMALE)

TEMPORARY
GENERATOR
CAM-LOCKS
(MALE)



RECEPTACLE COLOR SCHEME

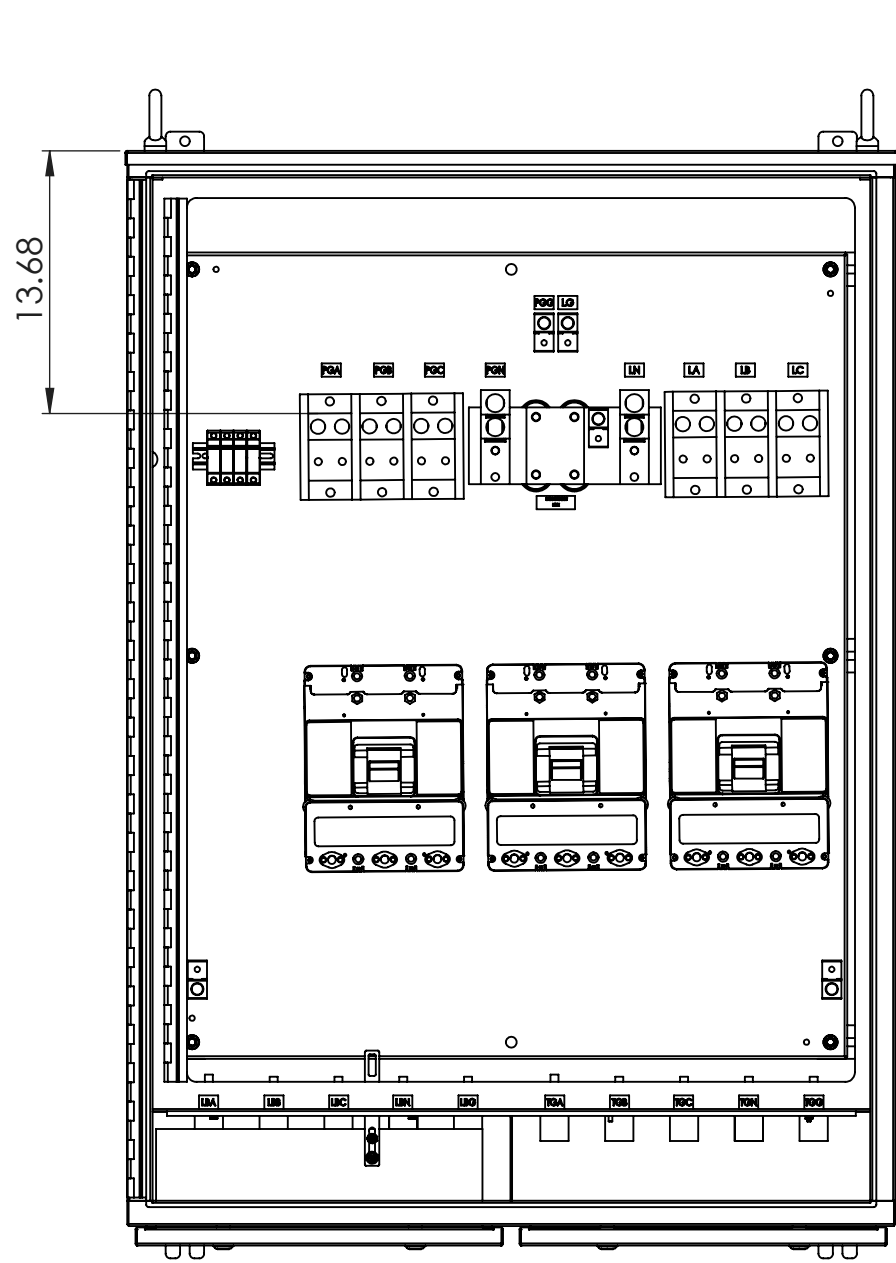
	L1	L2	L3	N	GND
240V	BLK	RED	BLU	WHT	GRN
480V	BRN	ORG	YEL	WHT	GRN
600V	BLK	BLK	BLK	WHT	GRN



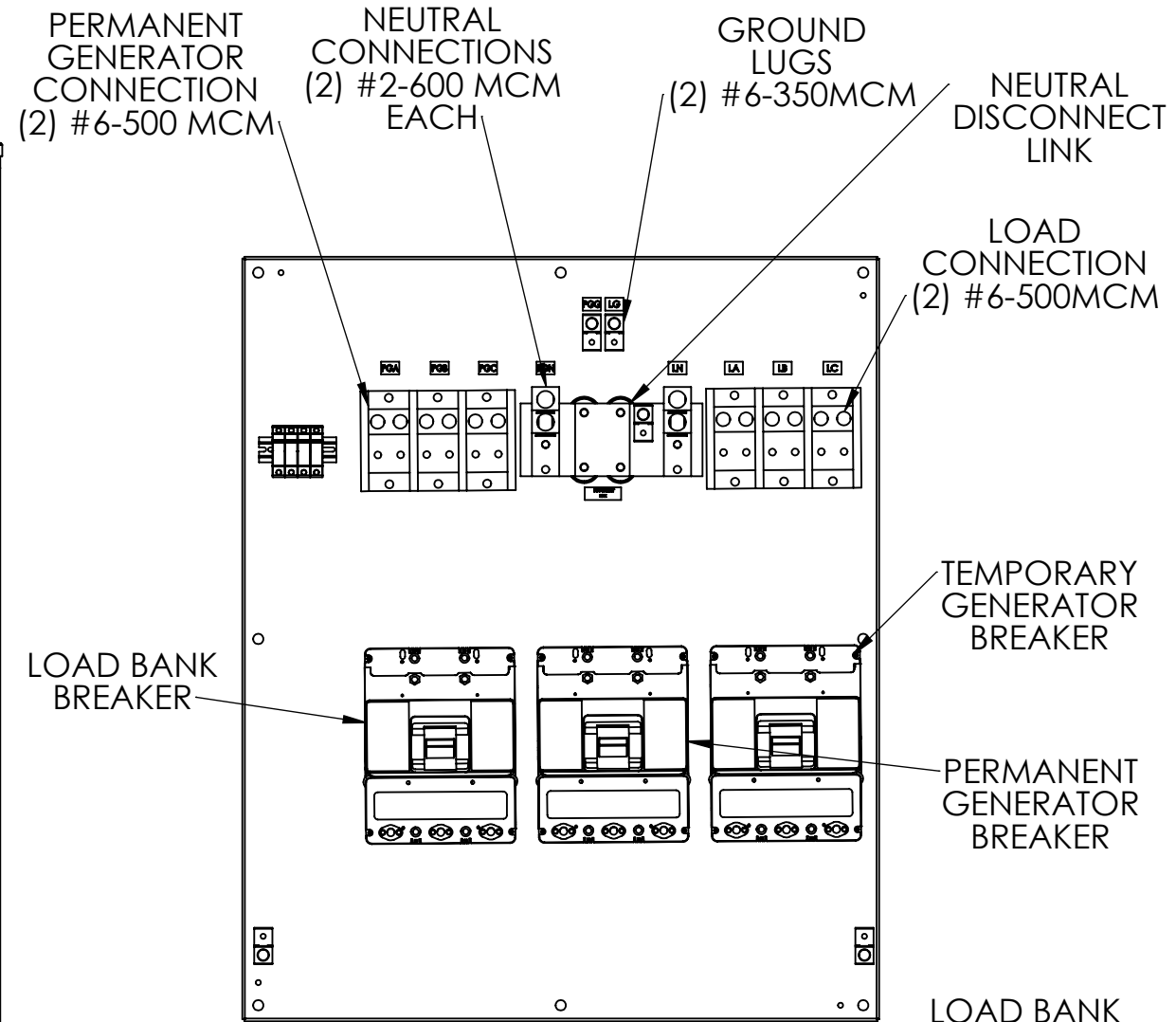
9900 TWIN LAKES PARKWAY
 CHARLOTTE, NC 28269
 704-596-5617
 PSICONTROLSOLUTIONS.COM

600A NEMA 3R 3-WAY MANUAL TRANSFER SWITCH

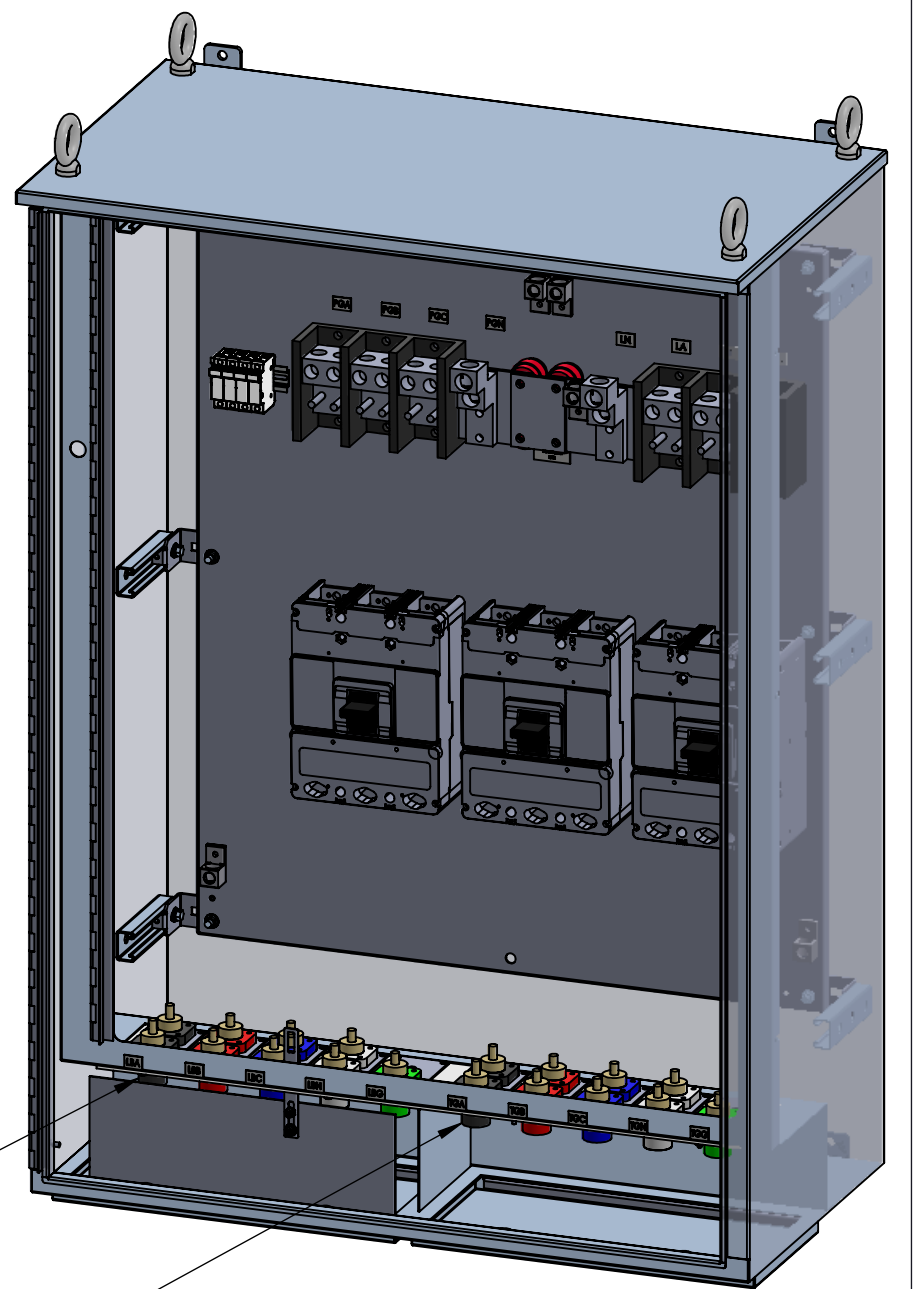
REV	DESCRIPTION	DATE	DRAWN: D. DENNY	
0	ORIGINAL RELEASE	3/25/20	CHECKED:	
			SUP. NO:	DRAWING TYPE
			SUP. BY NO:	DIMENSIONAL
			PANEL NO:	DRAWING NUMBER
			BUL. NO:	3WMTS600N3R
			GROUP NO:	SHEET 1 OF 2
			ORDER NO:	



INTERIOR VIEW



SUBPANEL VIEW



DIMETRIC INTERIOR VIEW

600A NEMA 3R 3-WAY MANUAL TRANSFER SWITCH

REV	DESCRIPTION	DATE	DRAWN: D. DENNY
0	ORIGINAL RELEASE	3/25/20	CHECKED:
			SUP. NO:
			SUP. BY NO:
			PANEL NO:
			BUL. NO:
			GROUP NO:
			ORDER NO:

DRAWING TYPE	OUTLINE
DRAWING NUMBER	3WMTS600N3R


 9900 TWIN LAKES PARKWAY
 CHARLOTTE, NC 28269
 704-596-5617
 PSICONTROLSOLUTIONS.COM