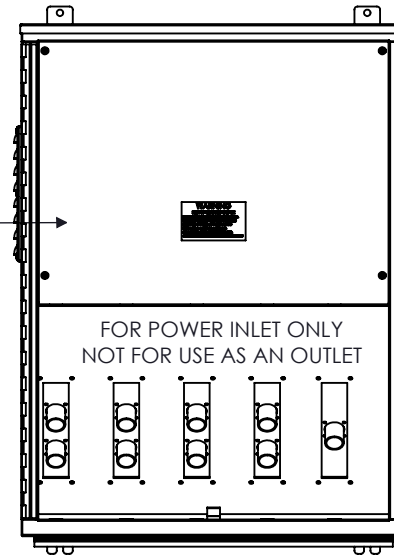
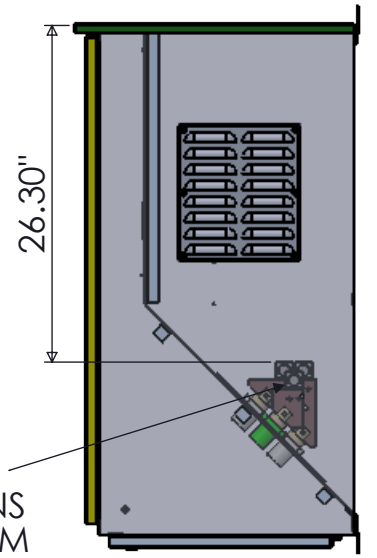


TOP VIEW

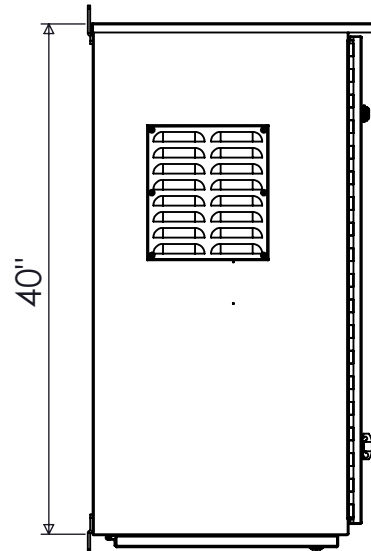


FRONT VIEW  
DOOR REMOVED

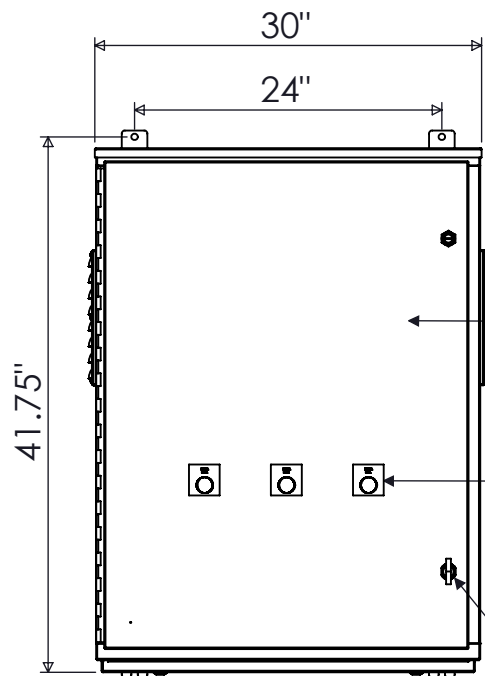


PERMANENT CONNECTIONS  
(2) #2-750 MCM  
LINE / NEUTRAL  
(1) #2-750 MCM  
GROUND

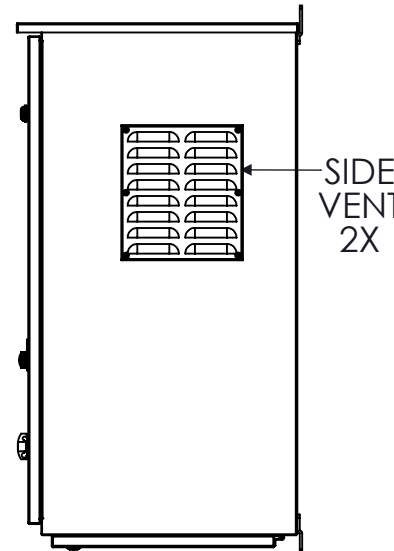
SIDE VIEW  
INTERIOR



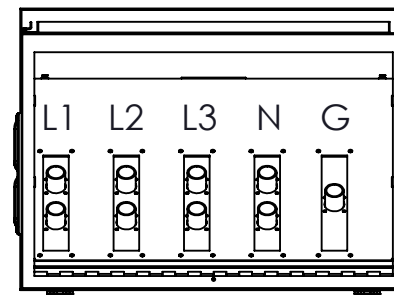
SIDE VIEW



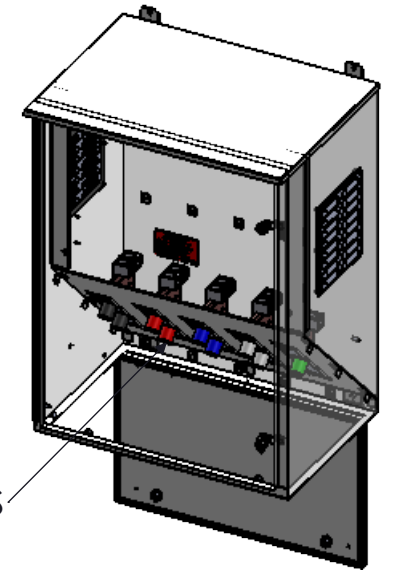
FRONT VIEW



SIDE VIEW

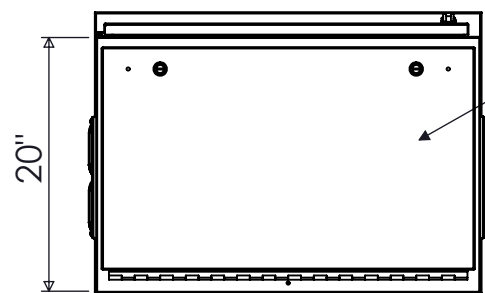


BOTTOM VIEW  
DOOR REMOVED



ANGLED  
CAM-LOK  
RECEPTACLES

TRIMETRIC VIEW  
INTERIOR



BOTTOM VIEW

RECEPTACLE COLOR SCHEME

	L1	L2	L3	N	GND
240V	BLK	RED	BLU	WHT	GRN
480V	BRN	ORG	YEL	WHT	GRN
600V	BLK	BLK	BLCK	WHT	GRN

NOTES

1. ENCLOSURE RATED NEMA 3R
2. TYPE 316 STAINLESS STEEL AVAILABLE
3. 3Φ, 4-WIRE SHOWN. ALTERNATE CONFIGURATIONS AVAILABLE
4. MAX VOLTAGE- 600VAC
5. ASSEMBLY IS cETLus 1008 LISTED



800A, NEMA 3R GENERATOR TAP BOX

REV	DESCRIPTION	DATE	DRAWN	J.GONZALEZ
0	ORIGINAL RELEASE	1/9/15	CHECKED	
			SUP. NO	
			SUP. BY NO	
			PANEL NO	
			BUIL. NO	
			GROUP NO	
			ORDER NO	

DRAWING TYPE  
**DIMENSIONAL**

DRAWING NUMBER  
**PL800GTBMM**



9900 TWIN LAKES PARKWAY  
CHARLOTTE, NC 28269  
704-596-5617  
PSICONTROLSOLUTIONS.COM