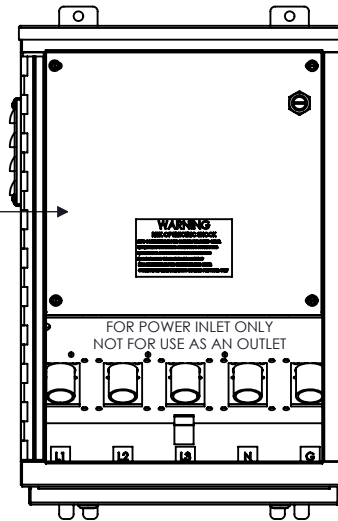
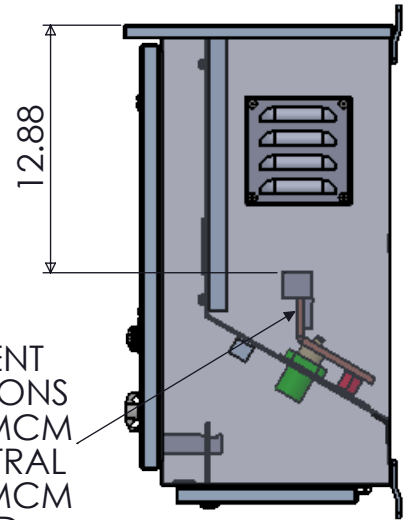


TOP VIEW

REMOVABLE COVER

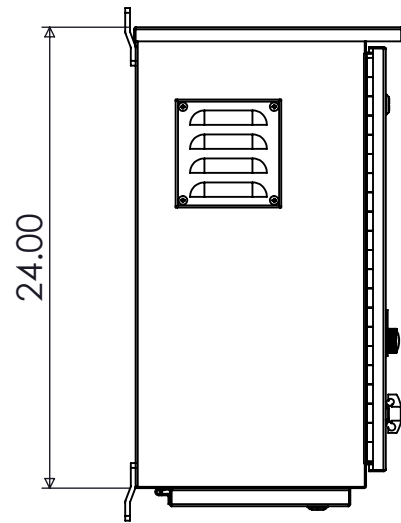


FRONT VIEW
DOOR REMOVED

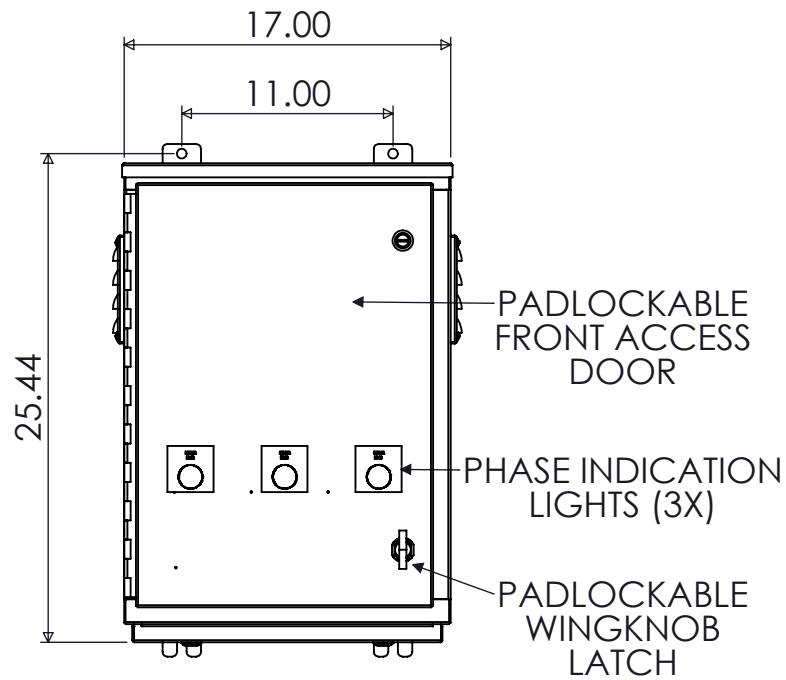


PERMANENT CONNECTIONS
(2) #2-600 MCM
LINE / NEUTRAL
(2) #2-600 MCM
GROUND

SIDE VIEW
INTERIOR



SIDE VIEW

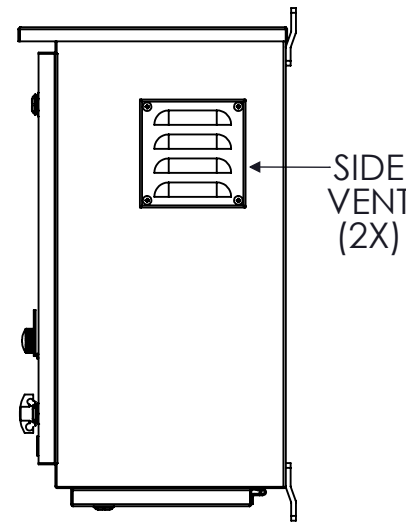


FRONT VIEW

PADLOCKABLE
FRONT ACCESS
DOOR

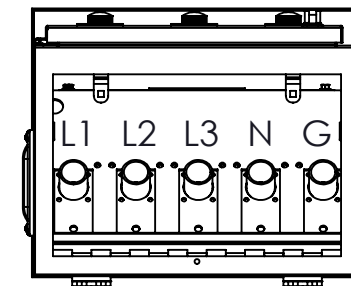
PHASE INDICATION
LIGHTS (3X)

PADLOCKABLE
WINGKNOB
LATCH



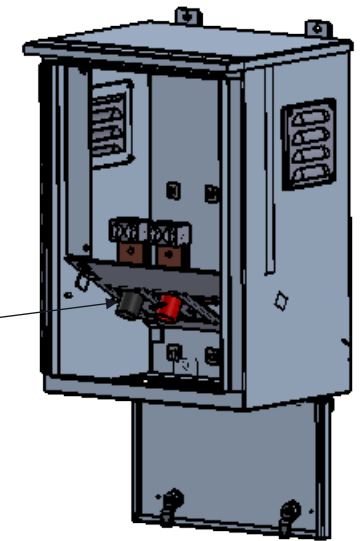
SIDE VIEW

SIDE
VENT
(2X)

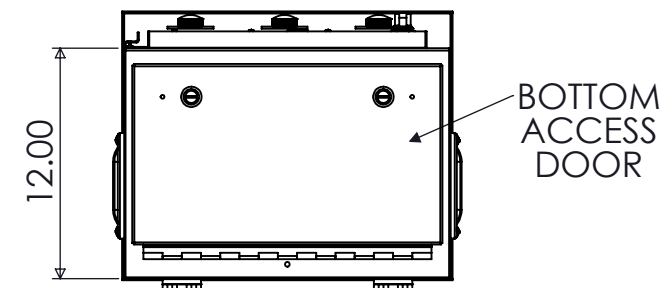


BOTTOM VIEW
DOOR REMOVED

ANGLED
CAM-LOK
RECEPTACLES



TRIMETRIC VIEW
INTERIOR



BOTTOM VIEW

BOTTOM
ACCESS
DOOR

RECEPTACLE COLOR SCHEME

	L1	L2	L3	N	GND
240V	BLK	RED	BLU	WHT	GRN
480V	BRN	ORG	YEL	WHT	GRN
600V	BLK	BLK	BLK	WHT	GRN

NOTES

- ENCLOSURE RATED NEMA 3R
- TYPE 316 STAINLESS STEEL AVAILABLE
- 3Φ, 4-WIRE SHOWN. ALTERNATE CONFIGURATIONS AVAILABLE
- MAX VOLTAGE - 600VAC
- ASSEMBLY IS cETLus 1008 LISTED



Intertek

400A, NEMA 3R GENERATOR TAP BOX

REV	DESCRIPTION	DATE	DRAWN	J.GONZALEZ
0	ORIGINAL RELEASE	10/15/15	CHECKED	
			SUP. NO	
			SUP. BY NO	
			PANEL NO	
			BUL. NO	
			GROUP NO	
			ORDER NO	

DRAWING TYPE
DIMENSIONAL

DRAWING NUMBER
PL400GTBSM



9900 TWIN LAKES PARKWAY
CHARLOTTE, NC 28269
704-596-5617
PSICONTROLSOLUTIONS.COM