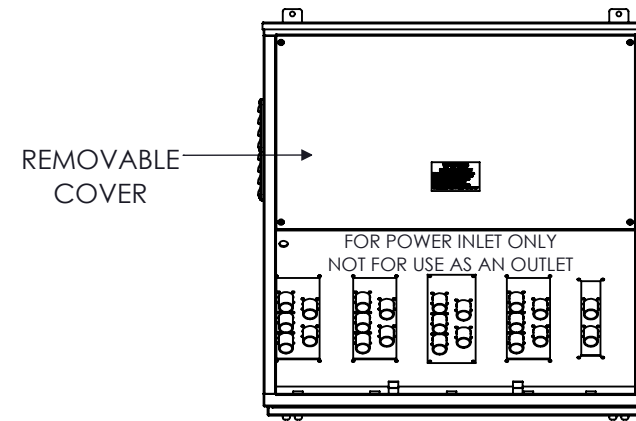


15"x36"
AVAILABLE
CABLE ENTRY

22.00

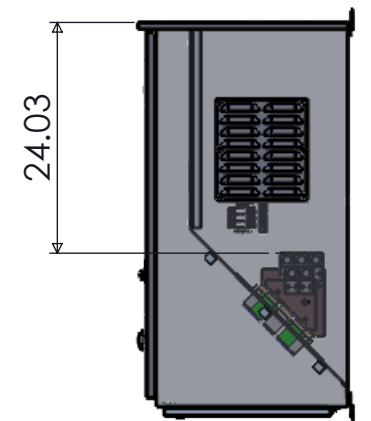
TOP VIEW



REMOVABLE
COVER

FOR POWER INLET ONLY
NOT FOR USE AS AN OUTLET

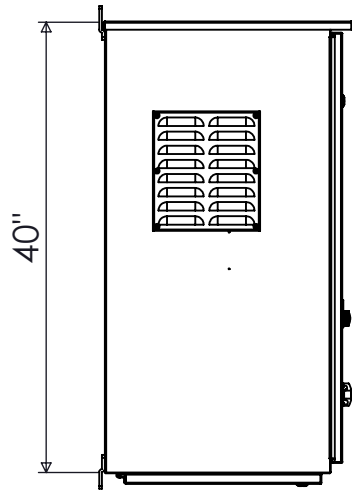
FRONT VIEW
DOOR REMOVED



24.03

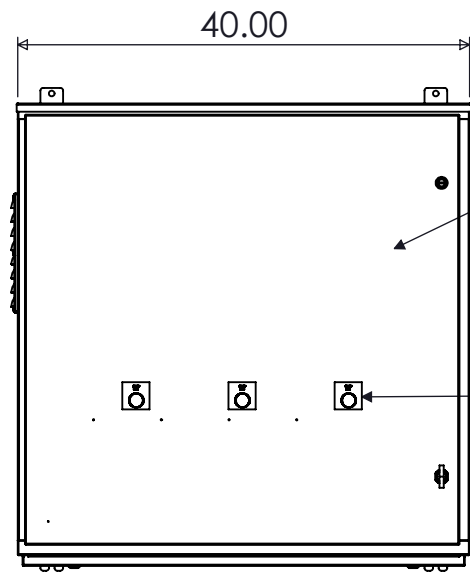
SIDE VIEW
INTERIOR

PERMANENT
CONNECTION
L1, L2, L3, N-(5) #2-750 MCM
LINE / NEUTRAL
(2) #2-750 MCM
GROUND



40"

SIDE VIEW

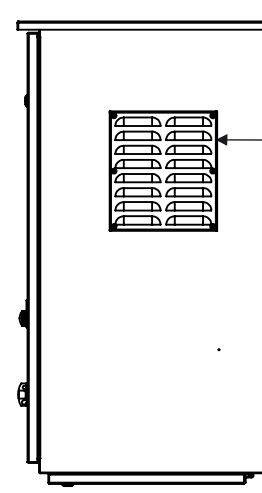


40.00

PADLOCKABLE
FRONT ACCESS
DOOR

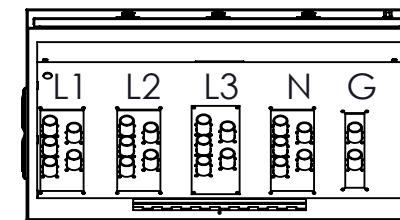
PHASE INDICATION
LIGHTS
3X

FRONT VIEW

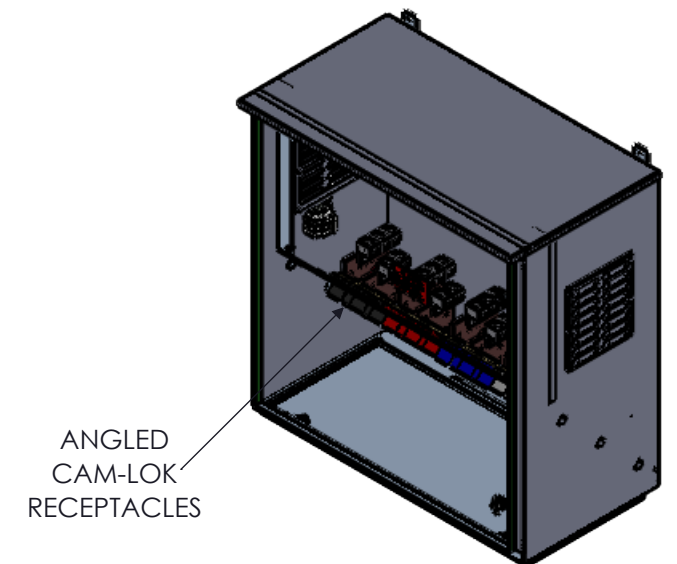


SIDE
VENT
2X

SIDE VIEW



BOTTOM VIEW
DOOR REMOVED

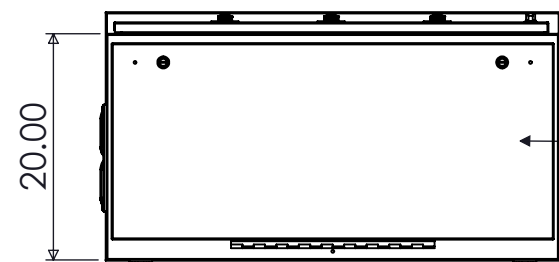


ANGLED
CAM-LOK
RECEPTACLES

TRIMETRIC VIEW
INTERIOR

RECEPTACLE COLOR SCHEME

	L1	L2	L3	N	G
240V	BLK	RED	BLU	WHT	GRN
480V	BRN	ORG	YEL	WHT	GRN
600V	BLK	BLK	BLK	WHT	GRN



20.00

BOTTOM ACCESS
DOOR

BOTTOM VIEW

NOTES

1. ENCLOSURE RATED NEMA 3R
2. TYPE 316 STAINLESS STEEL AVAILABLE
3. 3Φ, 4-WIRE SHOWN. ALTERNATE CONFIGURATIONS AVAILABLE
4. MAX VOLTAGE- 600VAC
5. ASSEMBLY IS cETLus 1008 LISTED



2000A, NEMA 3R GENERATOR TAP BOX

REV	DESCRIPTION	DATE	DRAWN	J.GONZALEZ
0	ORIGINAL RELEASE	1/8/16	CHECKED	
			SUP. NO	
			SUP. BY NO	
			PANEL NO	
			BUL. NO	
			GROUP NO	
			ORDER NO	

DRAWING TYPE
DIMENSIONAL

DRAWING NUMBER
PL2000GTBLM



9900 TWIN LAKES PARKWAY
CHARLOTTE, NC 28269
704-596-5617
PSICONTROLSOLUTIONS.COM