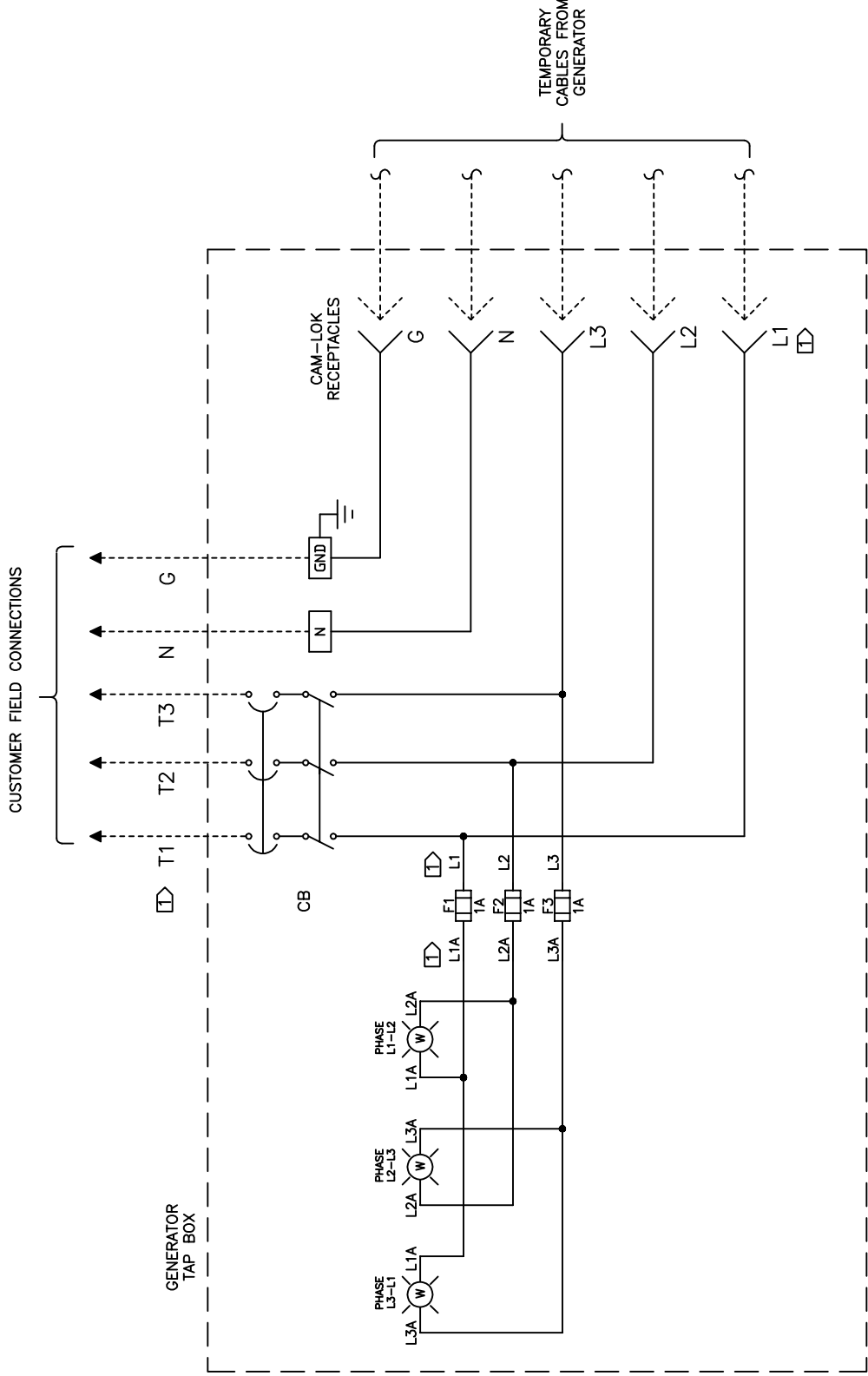


NOTES

- ① LABELING ASSUMES MALE CAM-LOCK RECEPTACLES. IF FEMALE CAM-LOCKS ARE USED, "L" AND "T" DESIGNATIONS NEED TO BE SWITCHED (SEE TABLE).

CAM-LOCK LABELING	
STYLE	LABELING
MALE	L1, L2, L3
FEMALE	T1, T2, T3



AMP.	CAM-LOCK QUANTITY	INTERNAL COND. SIZE	FIELD CONNECTIONS
100	1	(1) 1/0 DLO	(1) #6-3/0
200	1	(1) 3/0 DLO	(1) #4-350
400	1	(1) 313 DLO	(2) 2/0-250
600	2	(2) 4/0 DLO	(2) 3/0-350
800	2	(2) 313 DLO	(3) 3/0-400
1000	3	(3) 4/0 DLO	(4) 4/0-500
1200	3	(3) 313 DLO	(4) 4/0-500

GENERATOR TAP BOX WITH MAIN CIRCUIT BREAKER

REV	DESCRIPTION	DATE	DRAWN	BY	CHECKED	BY
0	ORIGINAL RELEASE	8/20/19	JL	JENNY		
1						
2						
3						
4						
5						
6						


 9900 TWIN LAKES PARKWAY
 CHARLOTTE, NC 28269
 704-596-5617
 PSICONTROL.SOLUTIONS.COM

DRAWING TYPE
 FIELD CONNECTIONS
 DRAWING NO.
 ES1GTB5CB