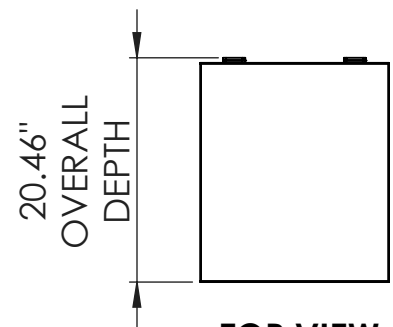
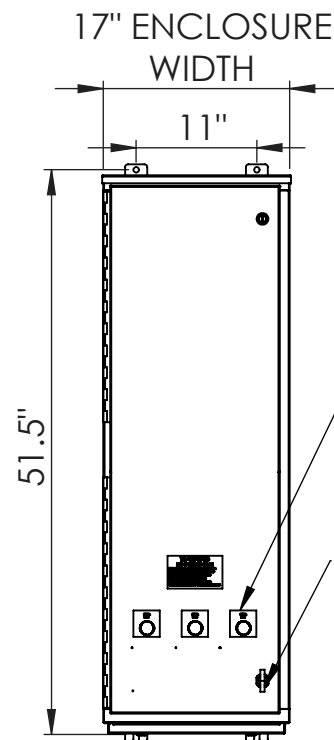


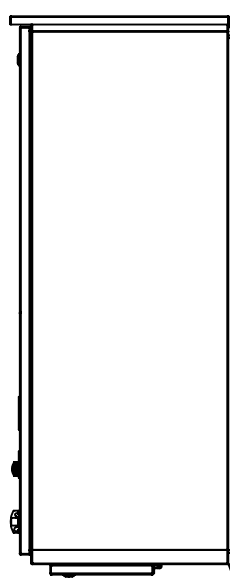
LEFT SIDE



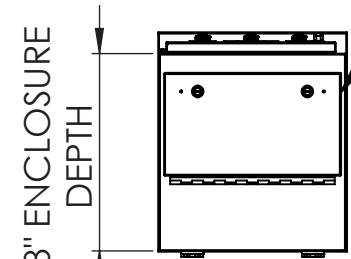
TOP VIEW



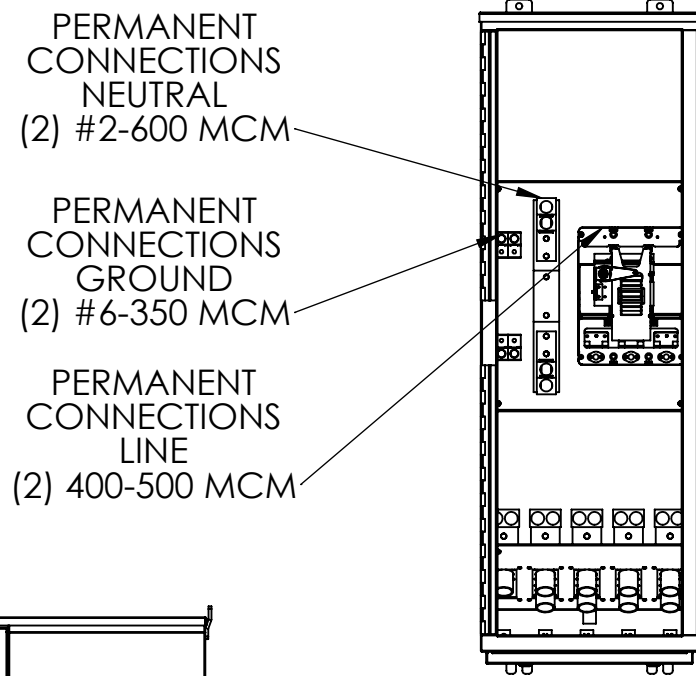
FRONT VIEW



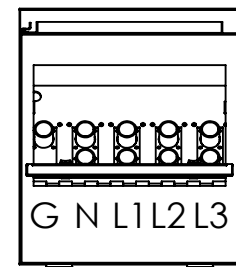
RIGHT SIDE



BOTTOM VIEW

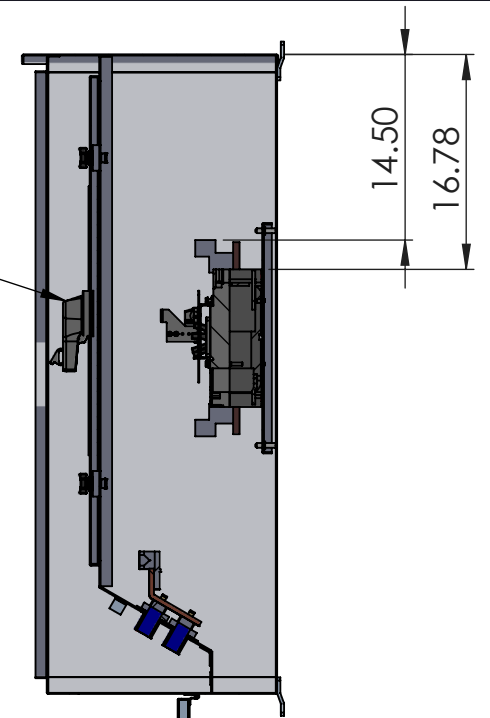


FRONT VIEW (DOORS REMOVED)



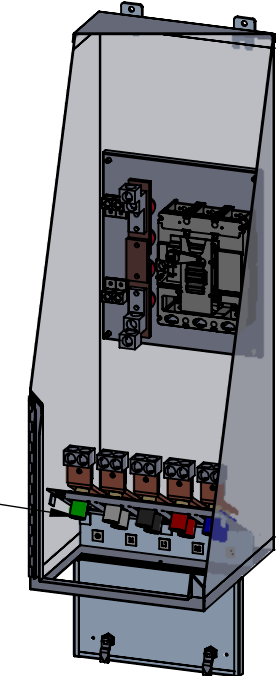
BOTTOM VIEW (DOOR OPEN)

ROTARY CIRCUIT BREAKER HANDLE MOUNTED TO SWING PANEL



INTERIOR SIDE VIEW

ANGLED CAM-LOK RECEPTACLES



INTERIOR TRIMETRIC VIEW

**RECEPTACLE COLOR SCHEME**

	L1	L2	L3	N	GND
240V	BLK	RED	BLU	WHT	GRN
480V	BRN	ORG	YEL	WHT	GRN
600V	BLK	BLK	BLK	WHT	GRN

**NOTES**

- ENCLOSURE RATED NEMA 3R
- TYPE 316 STAINLESS STEEL AVAILABLE
- 3Ø, 4-WIRE SHOWN. ALTERNATE CONFIGURATIONS AVAILABLE
- MAX VOLTAGE- 600VAC
- STANDARDS - UL508A

**600A GENERATOR TAP BOX WITH MAIN CIRCUIT BREAKER**

REV	DESCRIPTION	DATE	DRAWN: D. DENNY	
0	ORIGINAL RELEASE	3/28/18	CHECKED:	
			SUP. NO:	DRAWING TYPE
			SUP. BY NO:	DIMENSIONAL
			PANEL NO:	DRAWING NUMBER
			BUL. NO:	PL210263
			GROUP NO:	
			ORDER NO:	



9900 TWIN LAKES PARKWAY  
CHARLOTTE, NC 28269  
704-596-5617  
PSICONTROLSOLUTIONS.COM