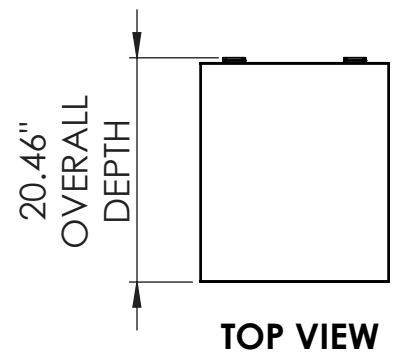
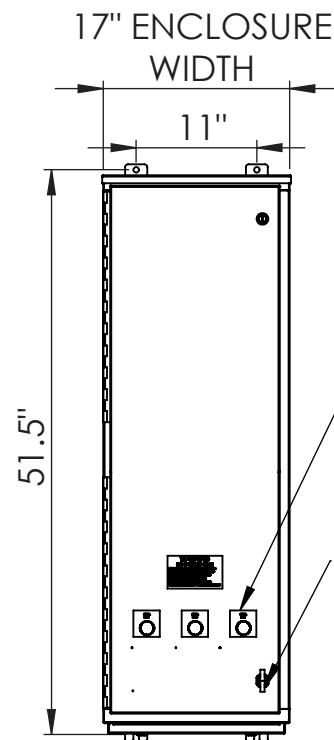


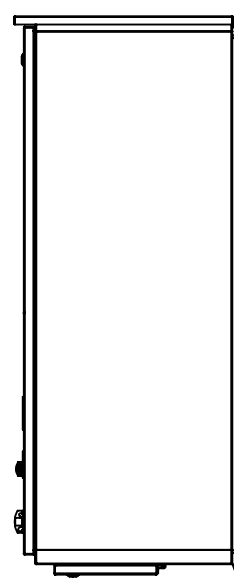
LEFT SIDE



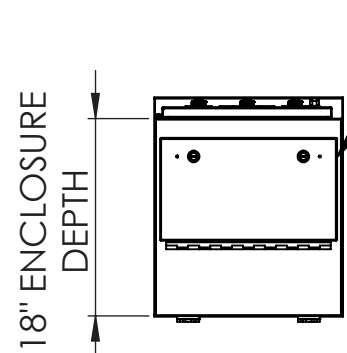
TOP VIEW



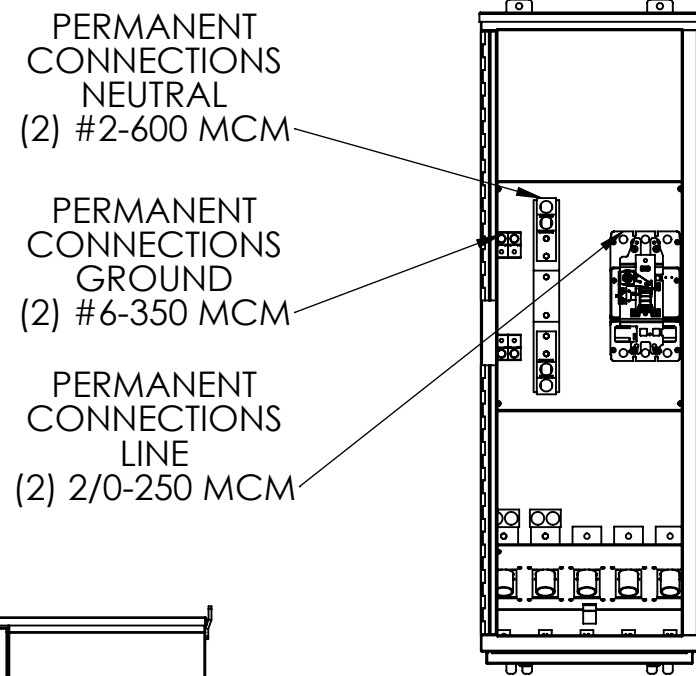
FRONT VIEW



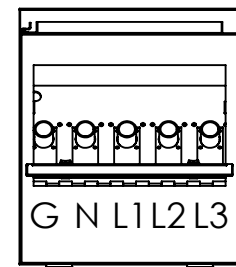
RIGHT SIDE



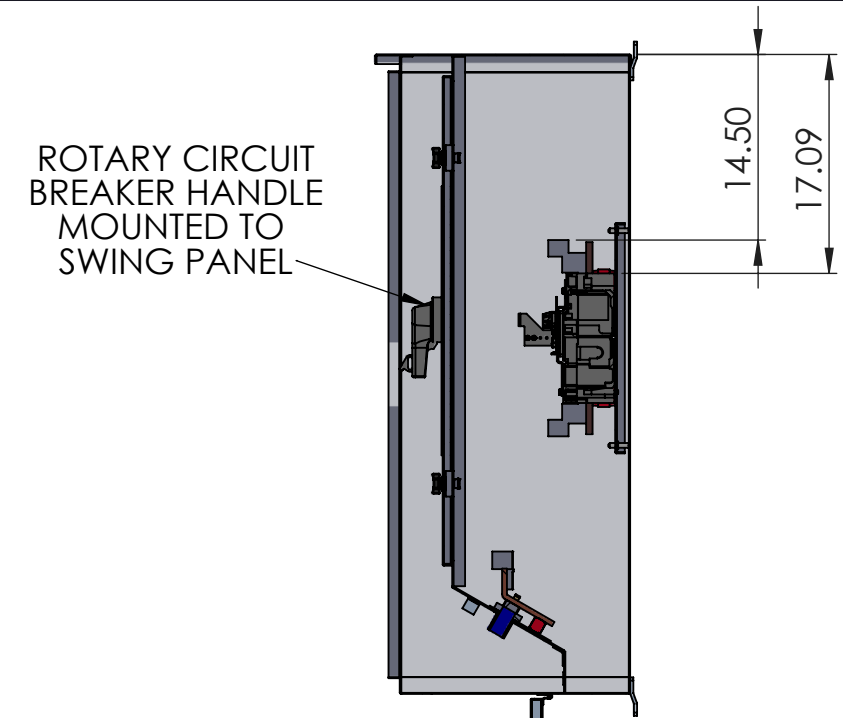
BOTTOM VIEW



FRONT VIEW (DOORS REMOVED)

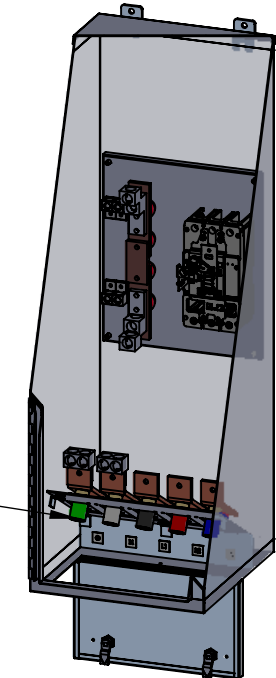


BOTTOM VIEW (DOOR OPEN)



INTERIOR SIDE VIEW

ANGLED CAM-LOK RECEPTACLES



INTERIOR TRIMETRIC VIEW

RECEPTACLE COLOR SCHEME

	L1	L2	L3	N	GND
240V	BLK	RED	BLU	WHT	GRN
480V	BRN	ORG	YEL	WHT	GRN
600V	BLK	BLK	BLK	WHT	GRN

NOTES

1. ENCLOSURE RATED NEMA 3R
2. TYPE 316 STAINLESS STEEL AVAILABLE
3. 3Ø, 4-WIRE SHOWN. ALTERNATE CONFIGURATIONS AVAILABLE
4. MAX VOLTAGE- 600VAC
5. STANDARDS - UL508A



9900 TWIN LAKES PARKWAY
 CHARLOTTE, NC 28269
 704-596-5617
 PSICONTROLSOLUTIONS.COM

400A GENERATOR TAP BOX WITH MAIN CIRCUIT BREAKER

REV	DESCRIPTION	DATE	DRAWN: D. DENNY
0	ORIGINAL RELEASE	3/28/18	CHECKED:
			SUP. NO:
			SUP. BY NO:
			PANEL NO:
			BUL. NO:
			GROUP NO:
			ORDER NO:

DRAWING TYPE
 DIMENSIONAL

DRAWING NUMBER
 PL210262