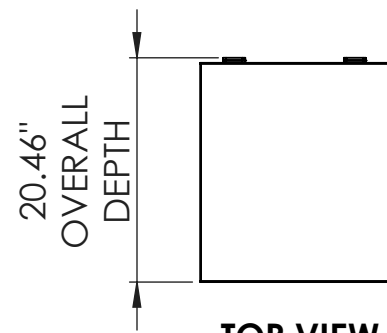
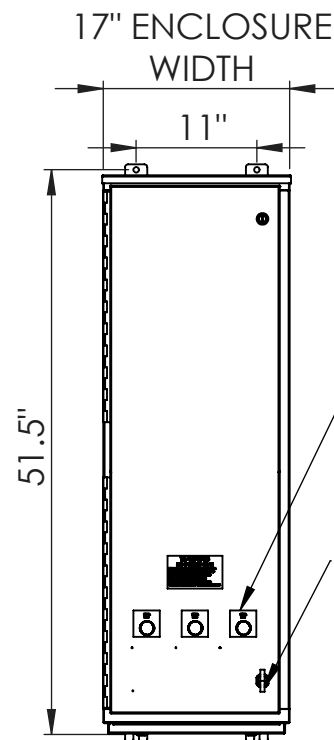


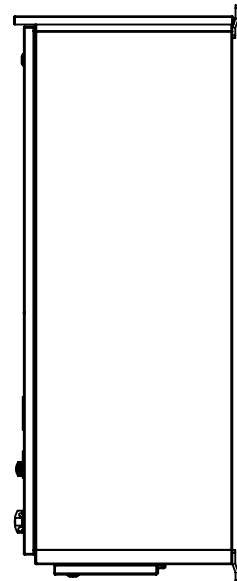
LEFT SIDE



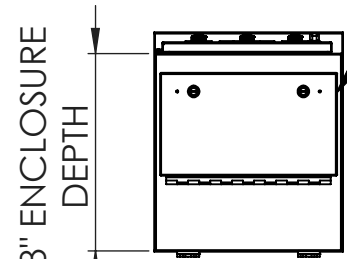
TOP VIEW



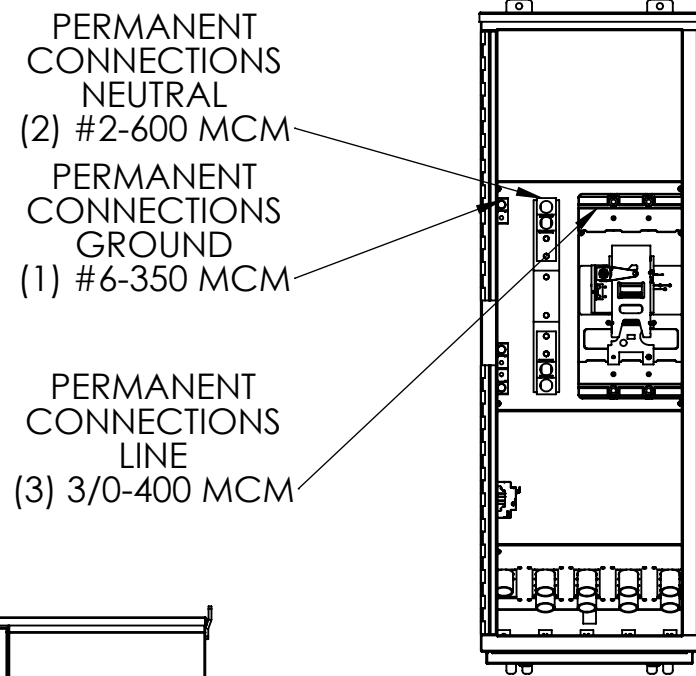
FRONT VIEW



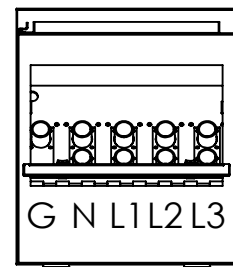
RIGHT SIDE



BOTTOM VIEW



FRONT VIEW (DOORS REMOVED)



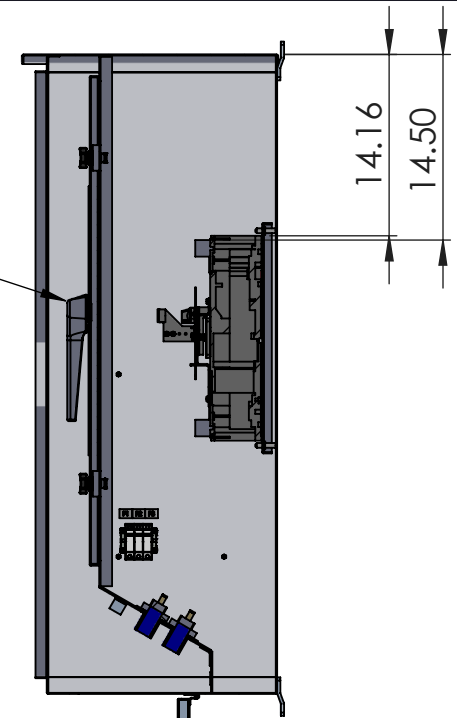
BOTTOM VIEW (DOOR OPEN)

PERMANENT CONNECTIONS NEUTRAL (2) #2-600 MCM
 PERMANENT CONNECTIONS GROUND (1) #6-350 MCM
 PERMANENT CONNECTIONS LINE (3) 3/0-400 MCM

PHASE INDICATION LIGHTS (3X)
 PADLOCKABLE WINGKNOB LATCH

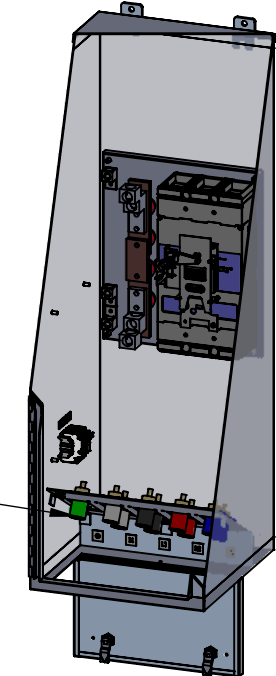
INTERLOCKED BOTTOM ACCESS DOOR

ROTARY CIRCUIT BREAKER HANDLE MOUNTED TO SWING PANEL



INTERIOR SIDE VIEW

ANGLED CAM-LOK RECEPTACLES



INTERIOR TRIMETRIC VIEW

RECEPTACLE COLOR SCHEME

	L1	L2	L3	N	GND
240V	BLK	RED	BLU	WHT	GRN
480V	BRN	ORG	YEL	WHT	GRN
600V	BLK	BLK	BLK	WHT	GRN

NOTES

- ENCLOSURE RATED NEMA 3R
- TYPE 316 STAINLESS STEEL AVAILABLE
- 3Ø, 4-WIRE SHOWN. ALTERNATE CONFIGURATIONS AVAILABLE
- MAX VOLTAGE- 600VAC
- STANDARDS - UL508A



9900 TWIN LAKES PARKWAY
 CHARLOTTE, NC 28269
 704-596-5617
 PSICONTROLSOLUTIONS.COM

800A GENERATOR TAP BOX WITH MAIN CIRCUIT BREAKER

REV	DESCRIPTION	DATE	DRAWN: D. DENNY
0	ORIGINAL RELEASE	3/28/18	CHECKED:
			SUP. NO:
			SUP. BY NO:
			PANEL NO:
			BUL. NO:
			GROUP NO:
			ORDER NO:

DRAWING TYPE
 DIMENSIONAL

DRAWING NUMBER
 GTBECB800