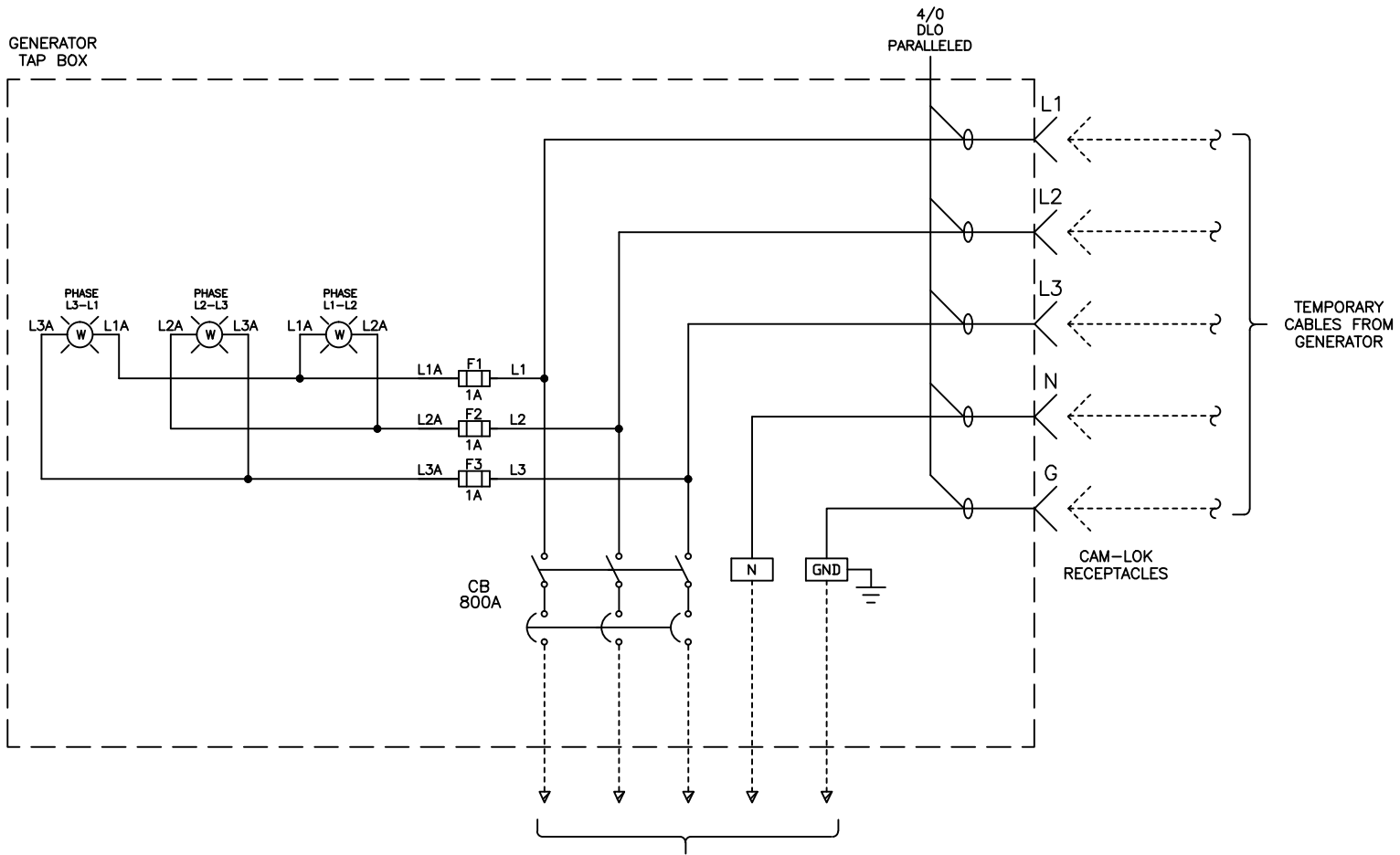


GENERATOR
TAP BOX



CUSTOMER CONNECTIONS
 L1,L2,L3: (3) 3/0-400MCM
 NEUTRAL: (2) 2-750MCM
 GROUND: (1) 6-350MCM

GENERATOR TAP BOX WITH BREAKER

REV	DESCRIPTION	DATE	DRAWN	S.RICHARDSON
0	ORIGINAL RELEASE	11/28/14	CHECKED	
1			SUP. NO.	DRAWING TYPE
2			SUP. BY NO.	FIELD CONNECTIONS
3			PANEL NO.	DRAWING NO.
4			BUL. NO.	ES110129
5			GROUP NO.	
6			ORDER NO.	



9900 TWIN LAKES PARKWAY
 CHARLOTTE, NC 28269
 704-596-5617
 PSICONTROLSOLUTIONS.COM

PSI CONTROL SOLUTIONS

SHEET 1 OF 1

COMPUTER GENERATED TRACING