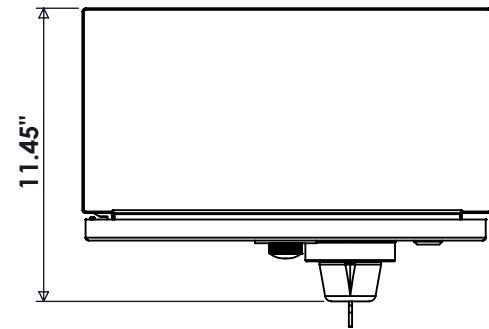


SPECIFICATIONS

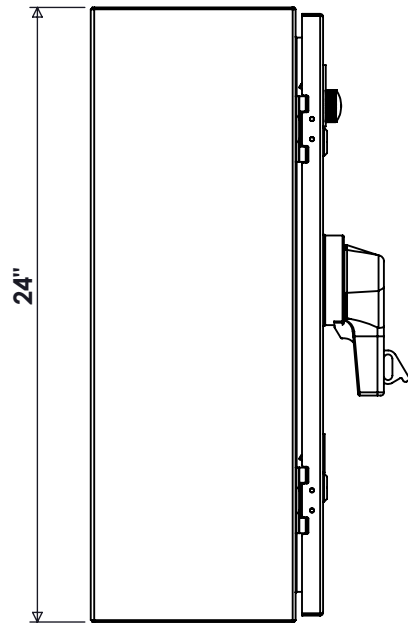
MAX VOLTAGE - 600VAC 3Φ
 RATED CURRENT - 200A
 STANDARDS - UL508A
 ENCLOSURE RATING - NEMA 4X
 TYPE 316 STAINLESS STEEL
 EST. SHIPPING WEIGHT - 100LBS



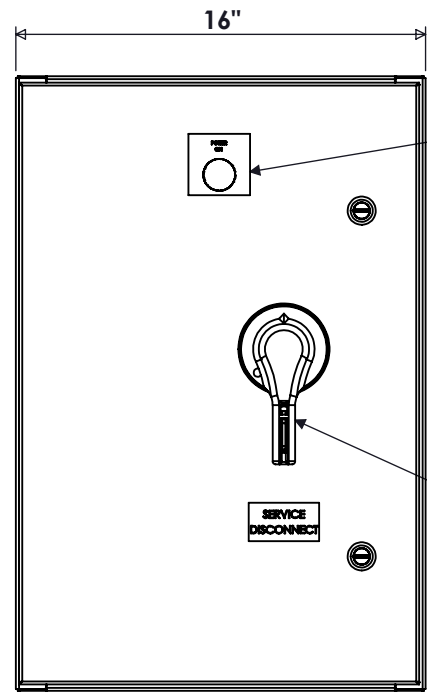
TOP VIEW

CONNECTIONS

L1,L2,L3 - #4-350MCM
 T1,T2,T3 - #4-350MCM
 N - #6-350MCM
 G - #6-350MCM



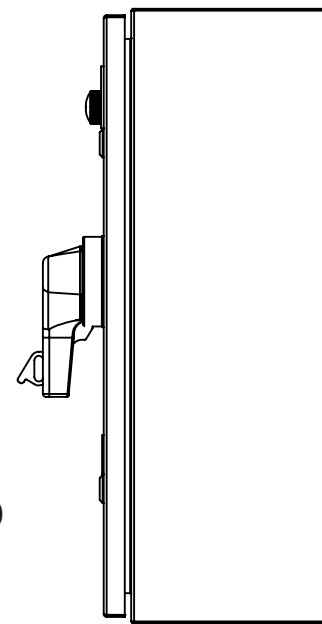
SIDE VIEW



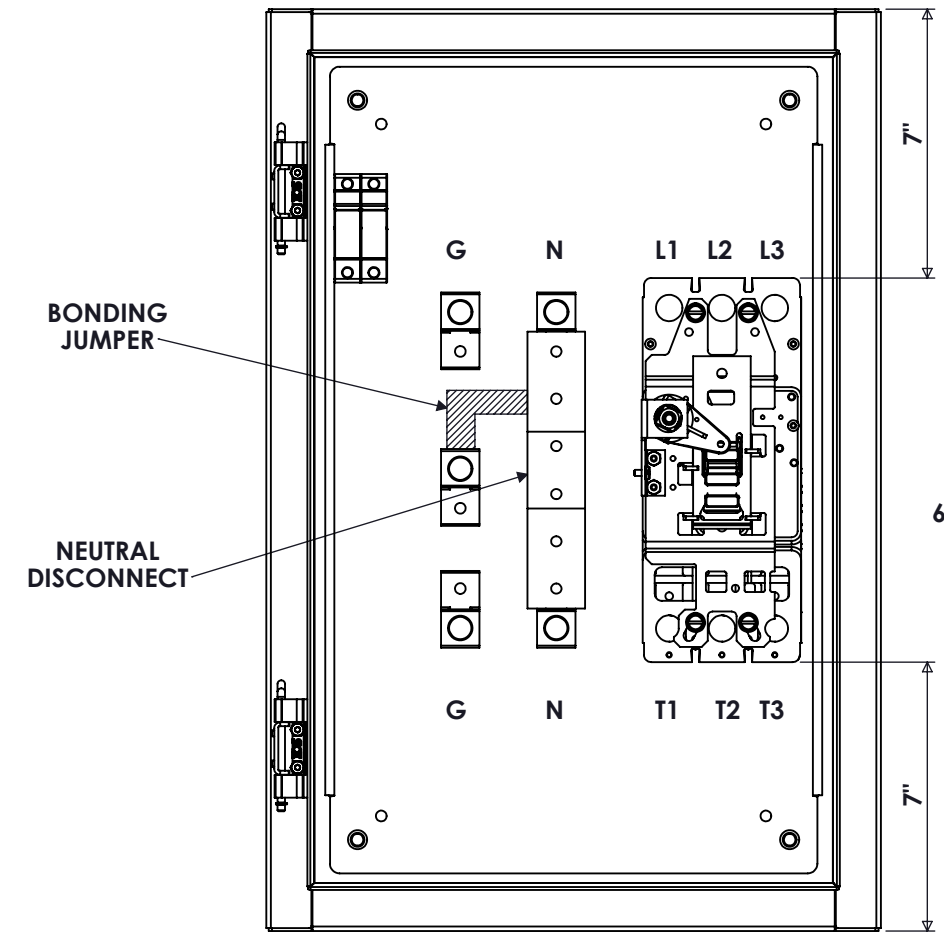
FRONT VIEW

POWER ON

ROTARY DISCONNECT
HANDLE
(SERVICE DISCONNECT)

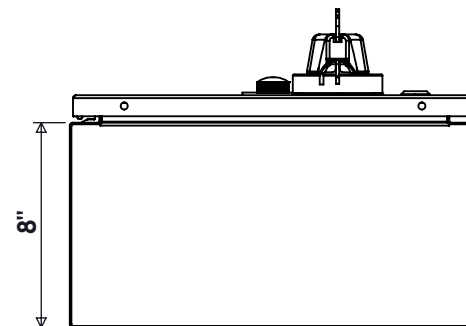


SIDE VIEW



FRONT VIEW
DOOR REMOVED

BREAKER
 200A FRAME
 200A TRIP
 65kAIC @ 480V



BOTTOM VIEW



9900 TWIN LAKES PARKWAY
 CHARLOTTE, NC 28269
 704-596-5617
 PSICONTROLSOLUTIONS.COM

200A, 3-POLE ENCLOSED BREAKER NEMA 4X ROTARY HANDLE

REV	DESCRIPTION	DATE	DRAWN	S.RICHARDSON	
0	ORIGINAL RELEASE	8/2/17	CHECKED	J.RAY	
			SUP. NO		DRAWING TYPE
			SUP. BY NO		DIMENSIONAL
			PANEL NO		DRAWING NUMBER
			BUL. NO		ECB200RN4XSE3
			GROUP NO		
			ORDER NO		