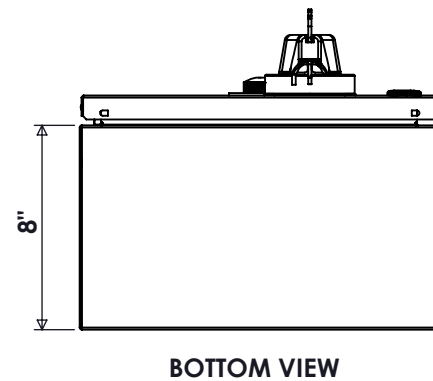
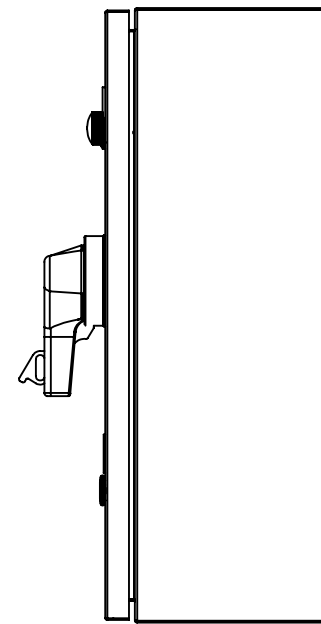
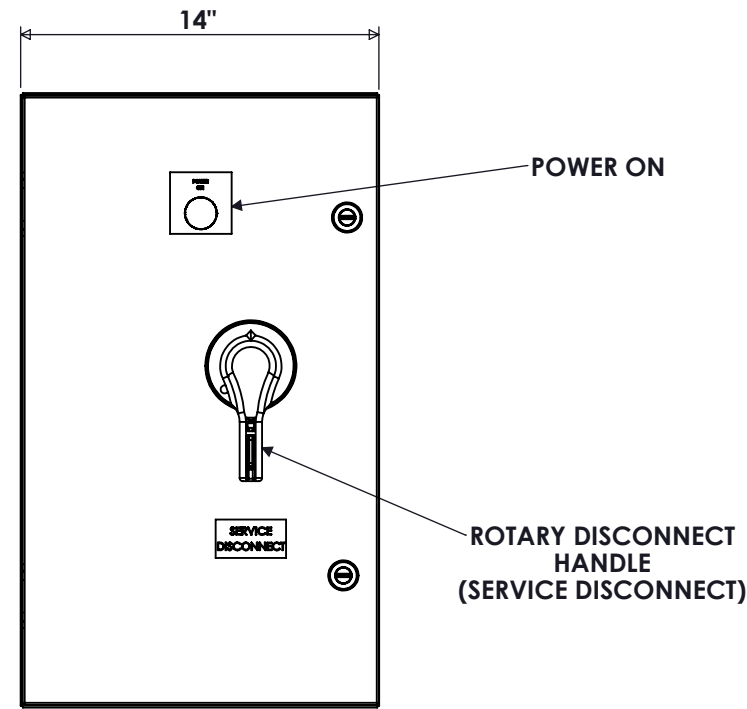
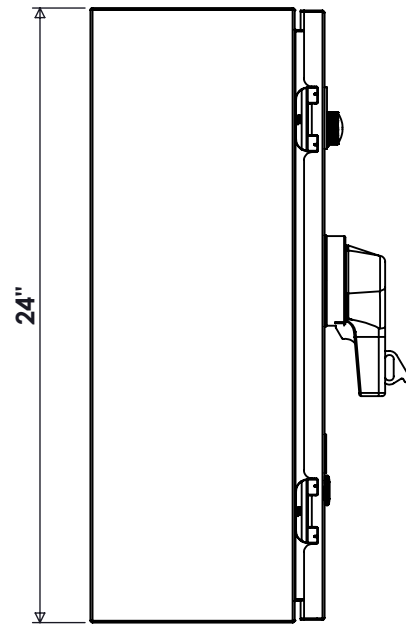
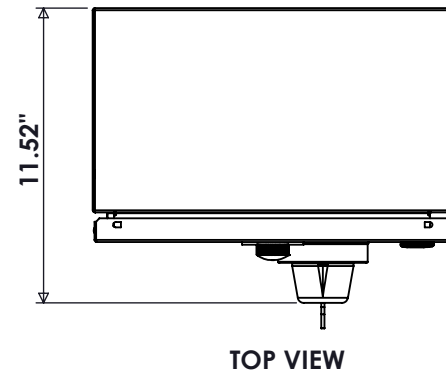


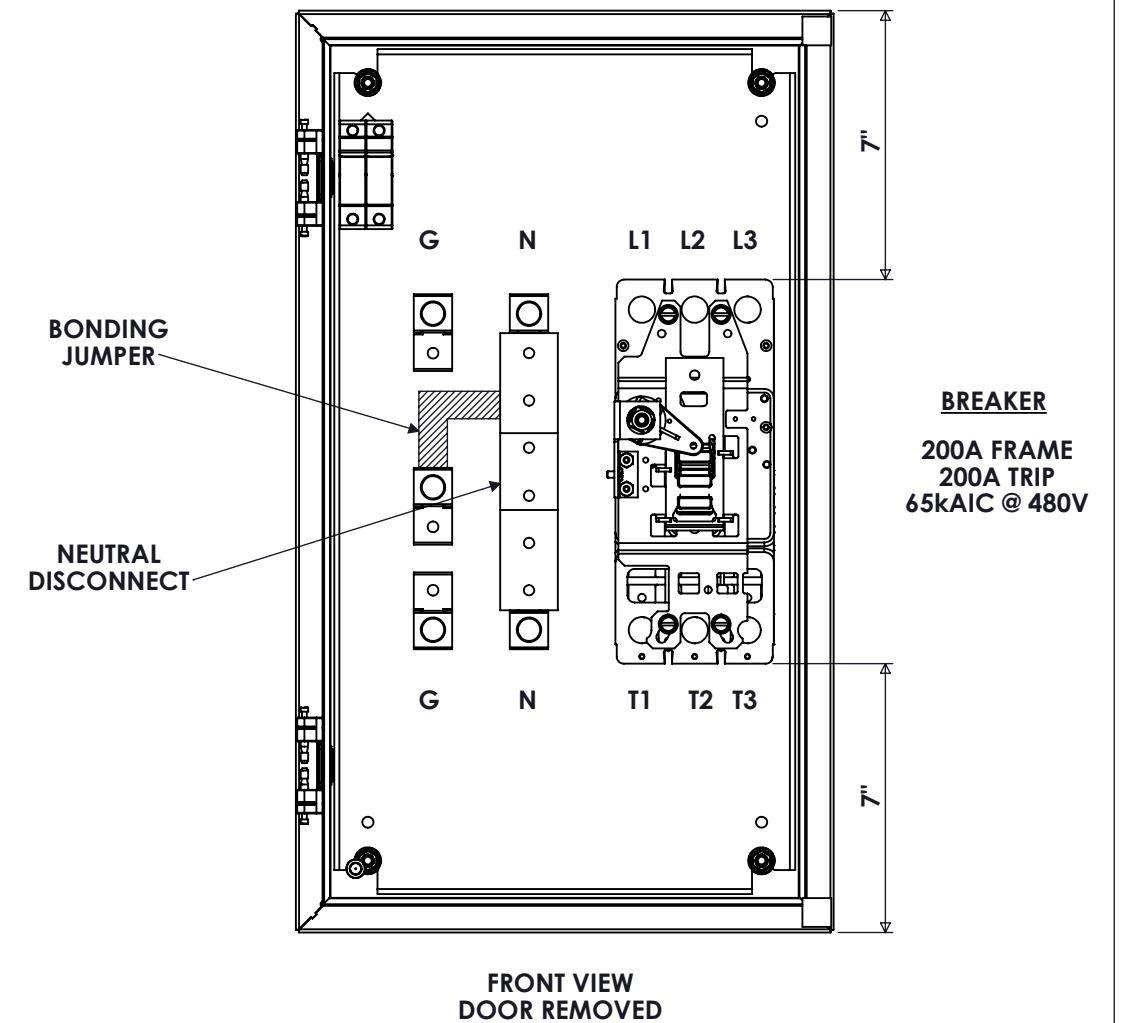
SPECIFICATIONS


MAX VOLTAGE - 600VAC 3Φ
 RATED CURRENT - 200A
 STANDARDS - UL508A
 ENCLOSURE RATING - NEMA 4
 EST. SHIPPING WEIGHT - 100LBS



CONNECTIONS

L1,L2,L3 - #4-350MCM
 T1,T2,T3 - #4-350MCM
 N - #6-350MCM
 G - #6-350MCM



 9900 TWIN LAKES PARKWAY
 CHARLOTTE, NC 28269
 704-596-5617
 PSICONTROLSOLUTIONS.COM

200A, 3-POLE ENCLOSED BREAKER NEMA 4 ROTARY HANDLE

REV	DESCRIPTION	DATE	DRAWN	S.RICHARDSON
0	ORIGINAL RELEASE	8/2/17	CHECKED	J.RAY
			SUP. NO	
			SUP. BY NO	
			PANEL NO	
			BUL. NO	
			GROUP NO	
			ORDER NO	

DRAWING TYPE
DIMENSIONAL

DRAWING NUMBER
ECB200RN4SE3

SHEET 1 OF 1