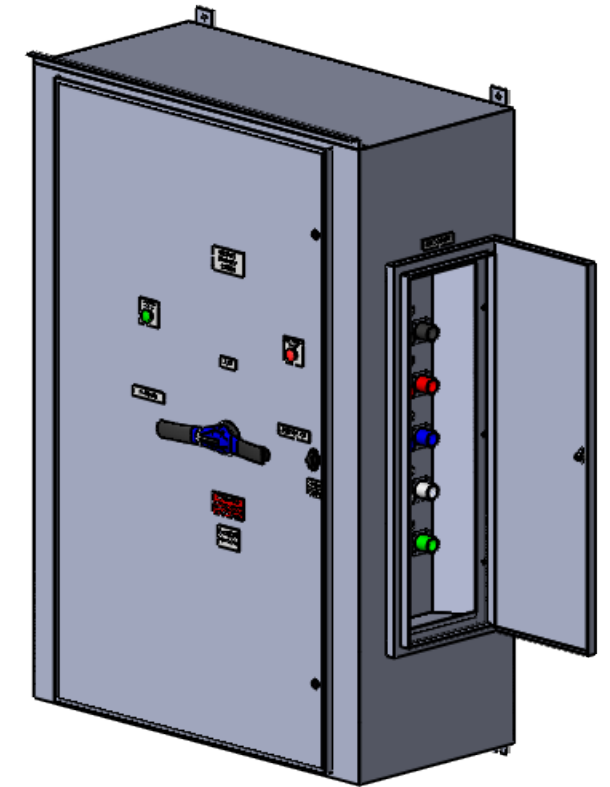
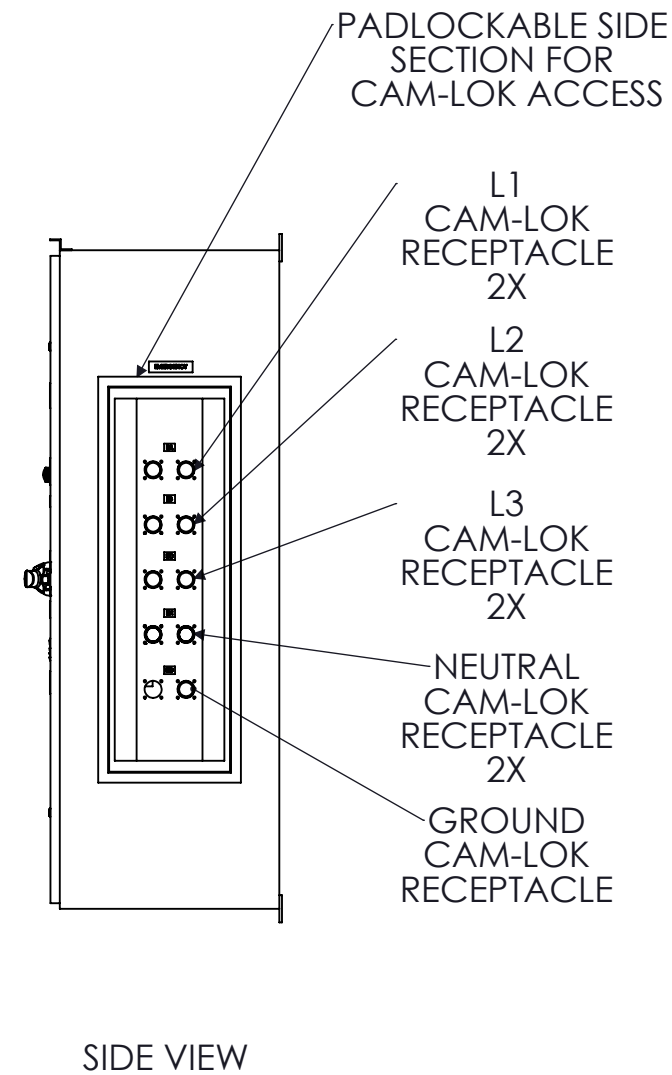
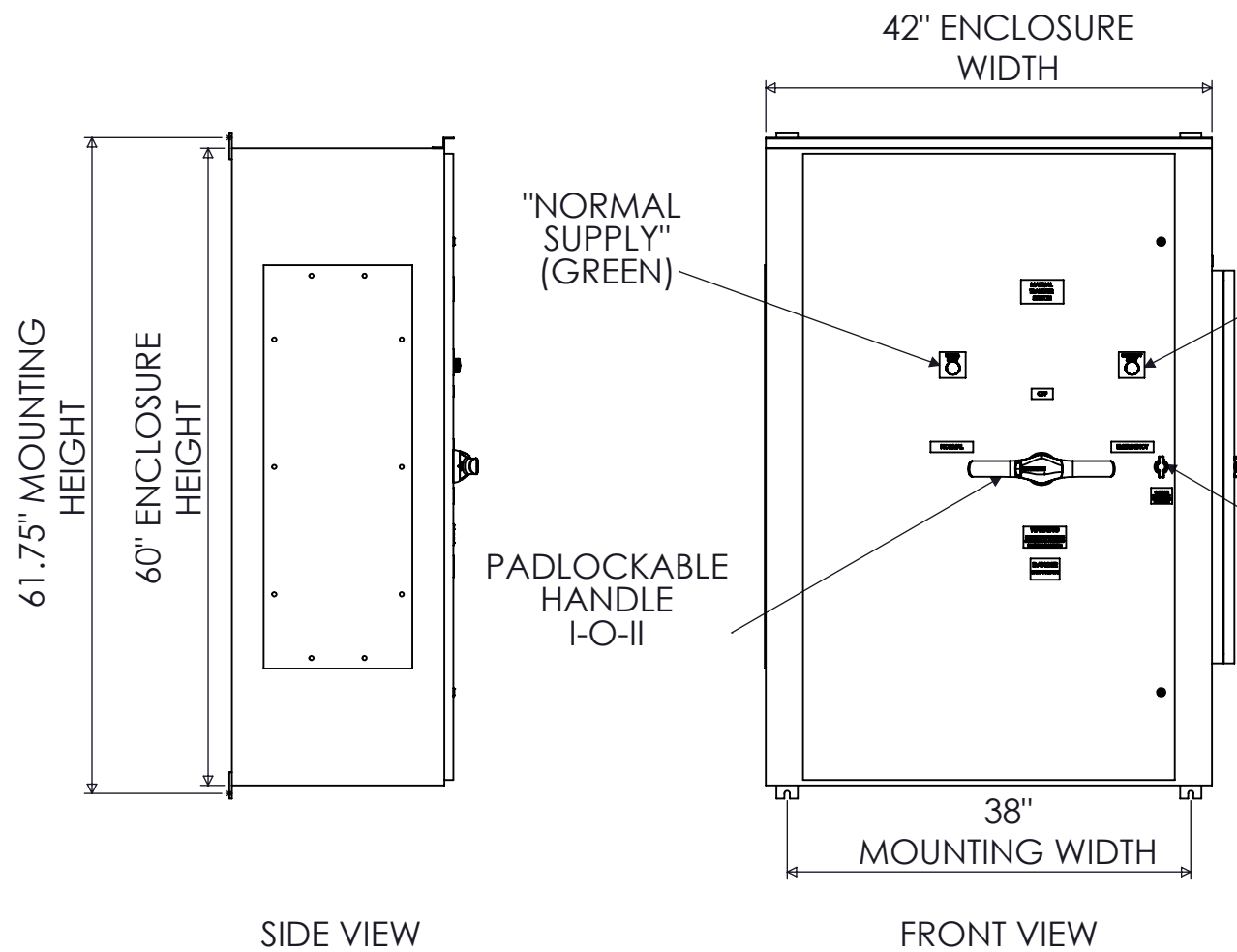
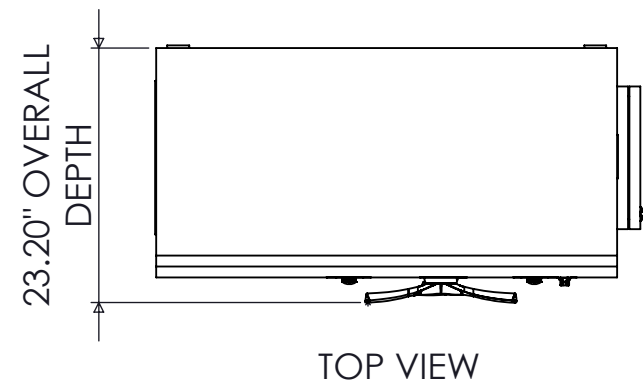


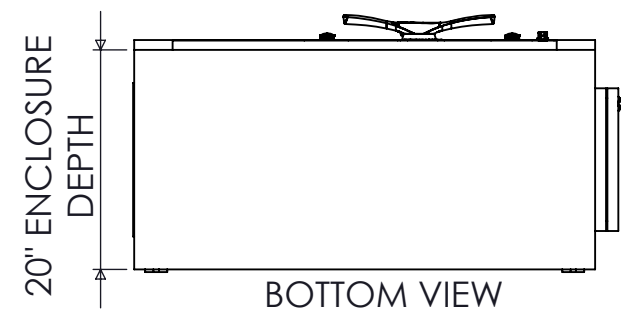

SPECIFICATIONS

MAX VOLTAGE - 600VAC 3 ϕ
 RATED CURRENT - 800 A
 STANDARDS - UL508A
 ENCLOSURE RATING - NEMA 3R
 REF. ES100145NF4
 DURABILITY - 3550 CYCLES
 EST SHIPPING WEIGHT - 400LBS
 PAINT-RAL7035 LIGHT GREY



RECEPTACLE/COVER COLOR SCHEME

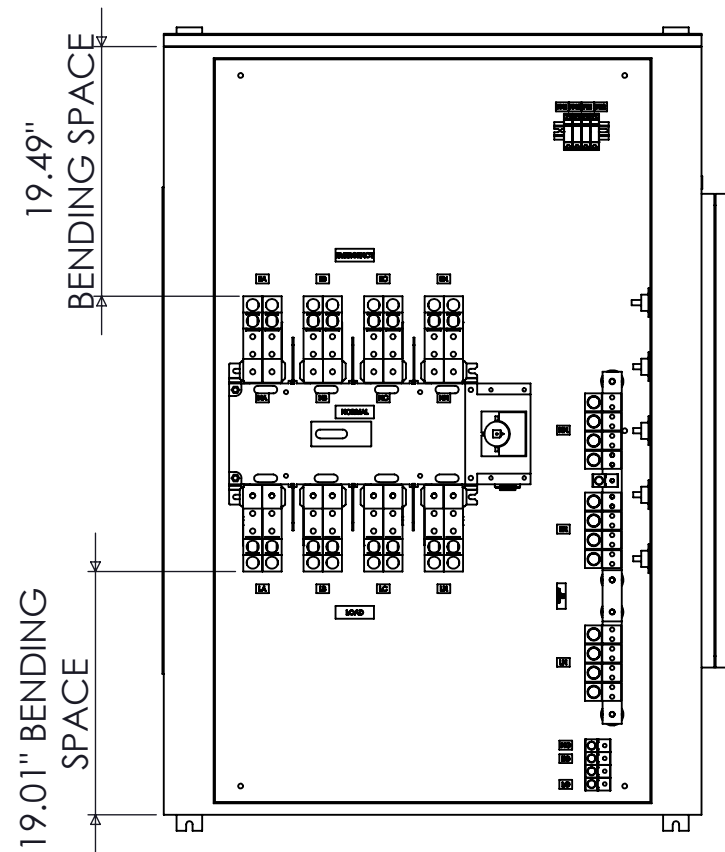
	L1	L2	L3	N	GND
240VAC	BLK	RED	BLU	WHT	GRN
480VAC	BRN	ORG	YEL	WHT	GRN
600VAC	BLK	BLK	BLK	WHT	GRN

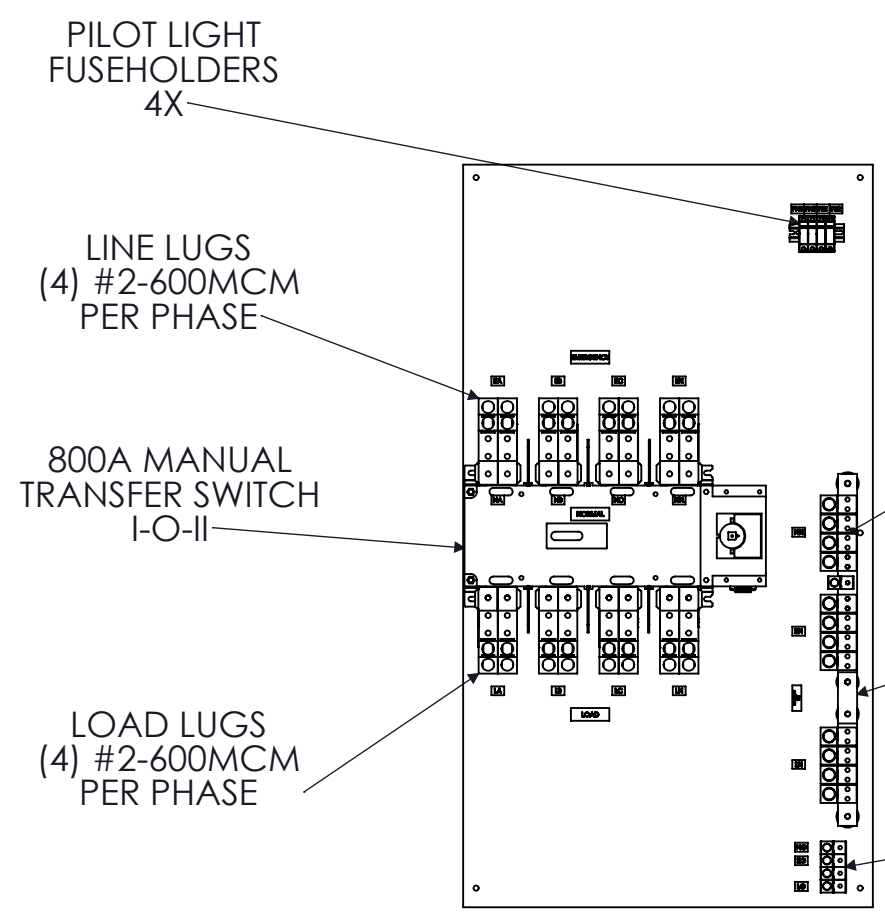
9900 TWIN LAKES PARKWAY
 CHARLOTTE, NC 28269
 704-596-5617
 PSICONTROLSOLUTIONS.COM

800A NON-FUSED 4-POLE NEMA 3R MANUAL TRANSFER SWITCH

REV	DESCRIPTION	DATE	DRAWN	S.RICHARDSON
0	ORIGINAL RELEASE	1/10/17	CHECKED	
			SUP. NO	DRAWING TYPE
			SUP. BY NO	DIMENSIONAL
			PANEL NO	DRAWING NUMBER
			BUIL. NO	STS800N3RNF4CR
			GROUP NO	
			ORDER NO	

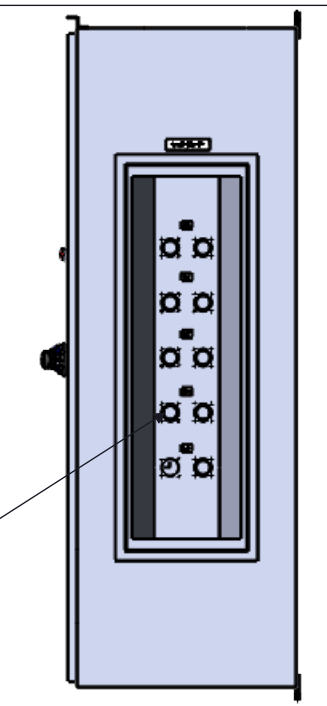


FRONT VIEW
DOOR REMOVED



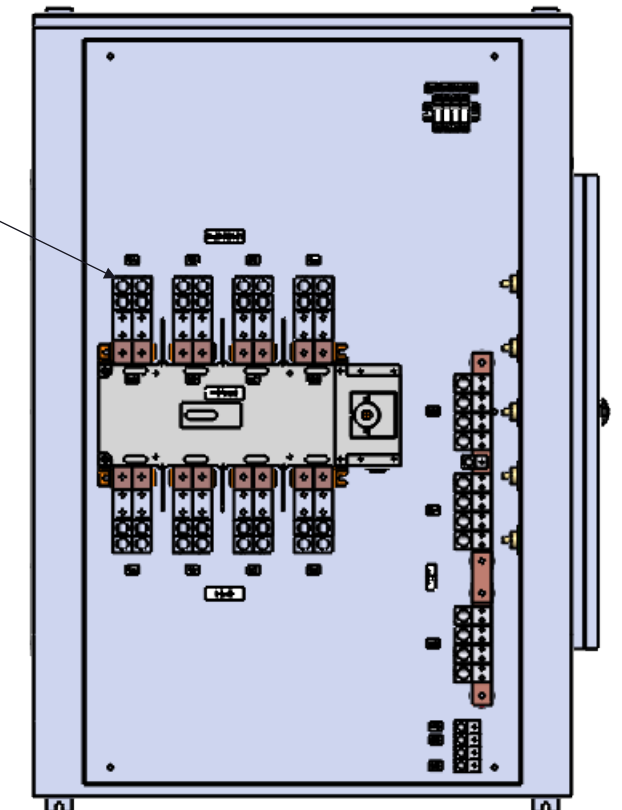
FRONT VIEW
ENCLOSURE REMOVED

"EMERGENCY"
CONNECTIONS
(CAM-LOKS)




SIDE VIEW
DOOR REMOVED

"NORMAL"
CONNECTIONS
(FRONT)



FRONT VIEW
DOOR REMOVED

800A NON-FUSED 4-POLE NEMA 3R MANUAL TRANSFER SWITCH					
REV	DESCRIPTION	DATE	DRAWN	S.RICHARDSON	CHECKED
0	ORIGINAL RELEASE	1/11/17			
			SUP. NO		
			SUP. BY NO		
			PANEL NO		
			BUL. NO		
			GROUP NO		
			ORDER NO		



9900 TWIN LAKES PARKWAY
CHARLOTTE, NC 28269
704-596-5617
PSICONTROLSOLUTIONS.COM

DRAWING TYPE
OUTLINE

DRAWING NUMBER
STS800N3RNF4CR

SHEET 2 OF 2