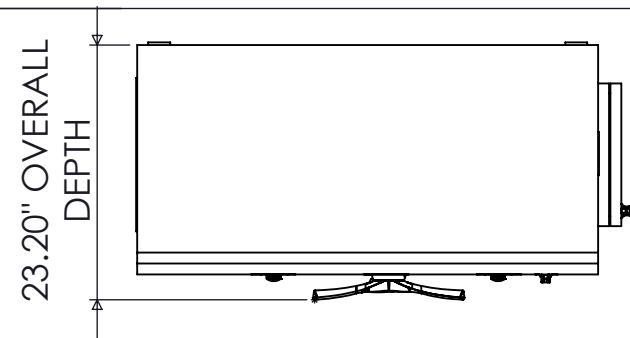
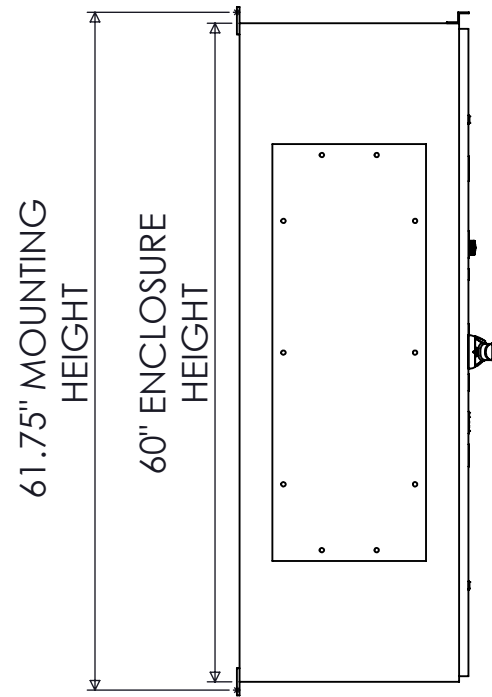


**SPECIFICATIONS**

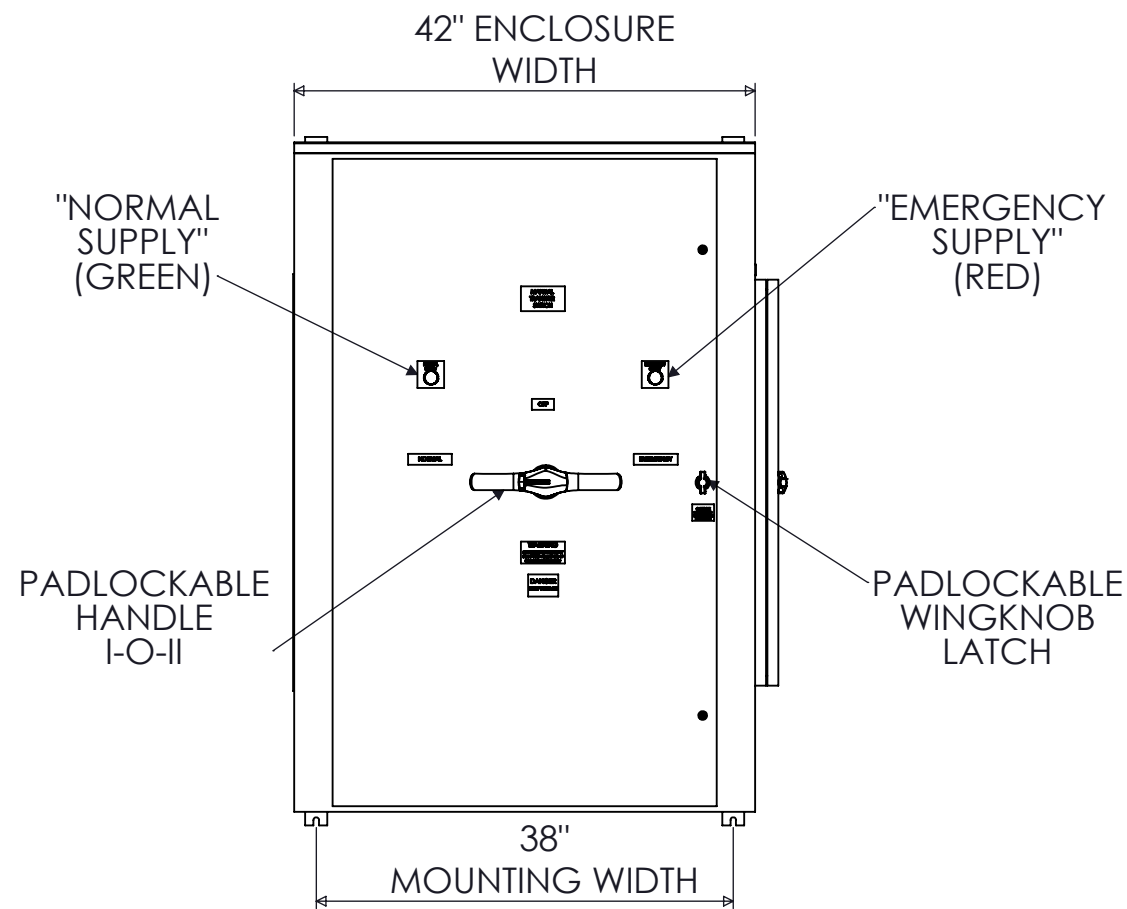
MAX VOLTAGE - 600VAC 3 $\phi$   
 RATED CURRENT - 800 A  
 STANDARDS - UL508A  
 ENCLOSURE RATING - NEMA 3R  
 REF. ES100145NF3  
 DURABILITY - 3550 CYCLES  
 EST SHIPPING WEIGHT - 400LBS  
 PAINT-RAL7035 LIGHT GREY



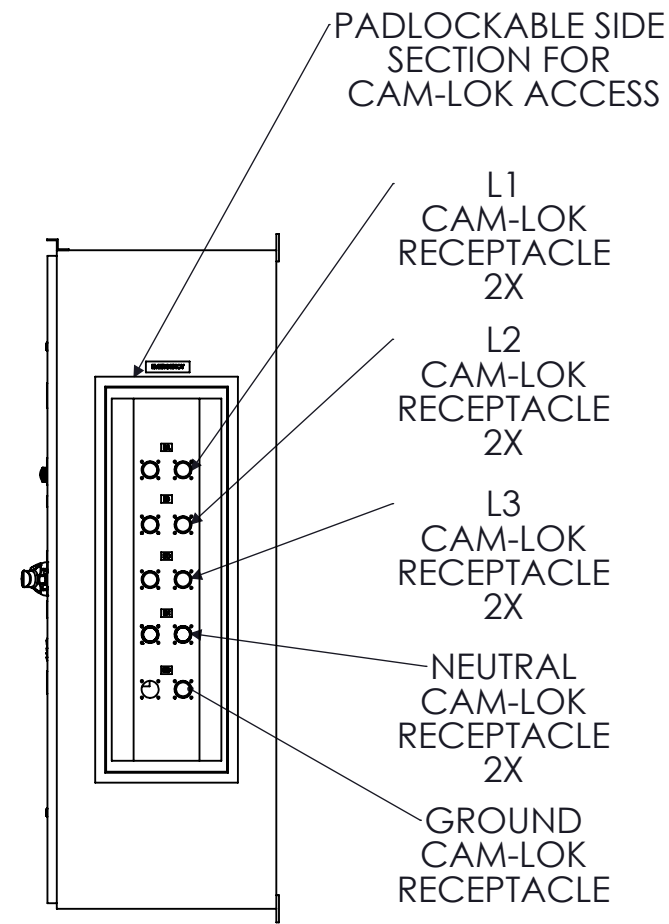
TOP VIEW



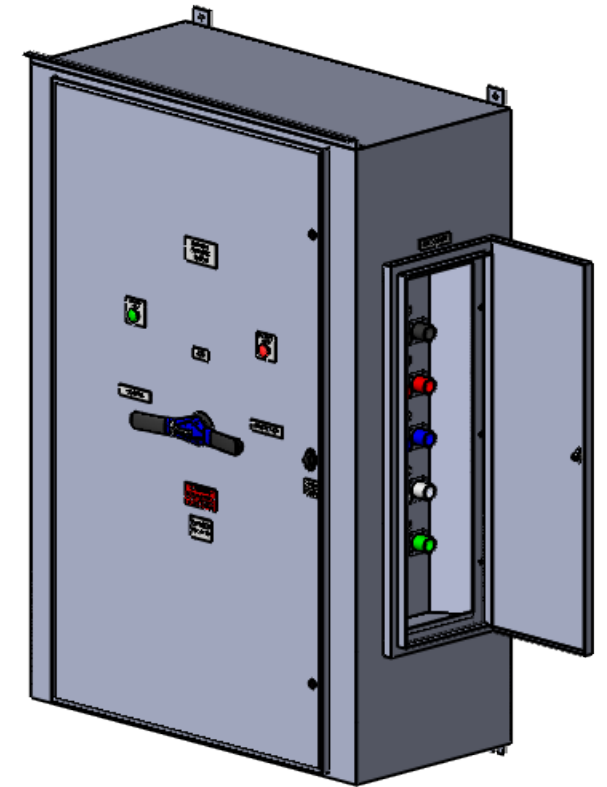
SIDE VIEW



FRONT VIEW



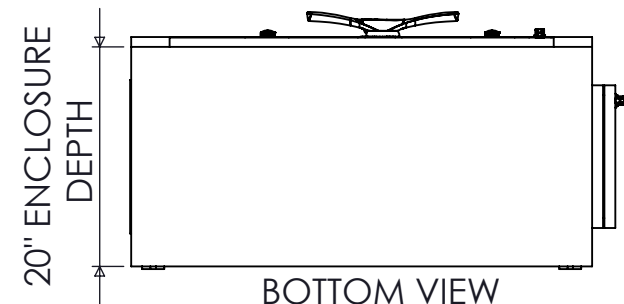
SIDE VIEW



DIMETRIC VIEW

**RECEPTACLE/COVER COLOR SCHEME**


	L1	L2	L3	N	GND
240VAC	BLK	RED	BLU	WHT	GRN
480VAC	BRN	ORG	YEL	WHT	GRN
600VAC	BLK	BLK	BLK	WHT	GRN



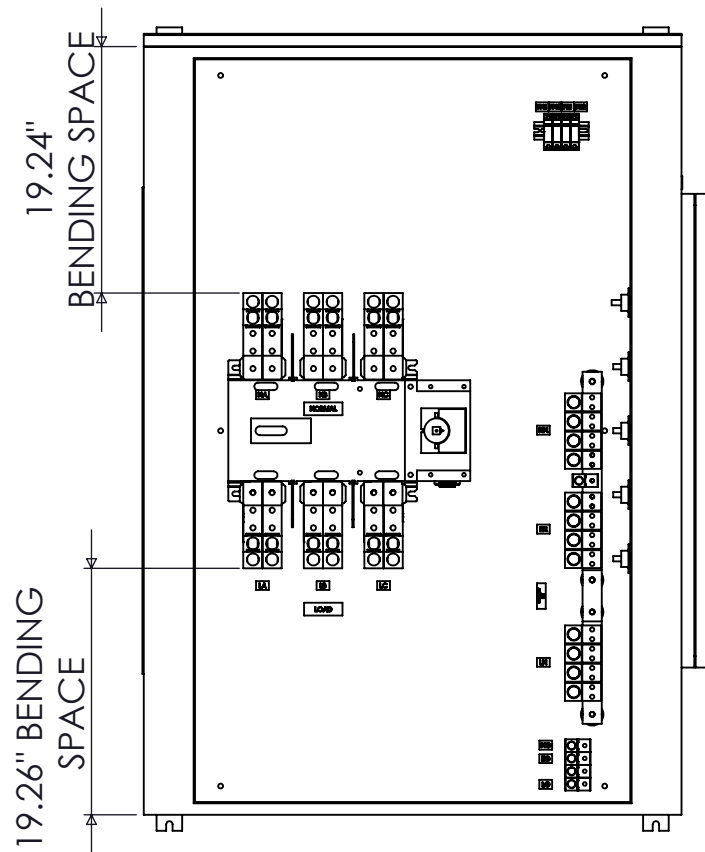
BOTTOM VIEW

**800A NON-FUSED 3-POLE NEMA 3R MANUAL TRANSFER SWITCH**

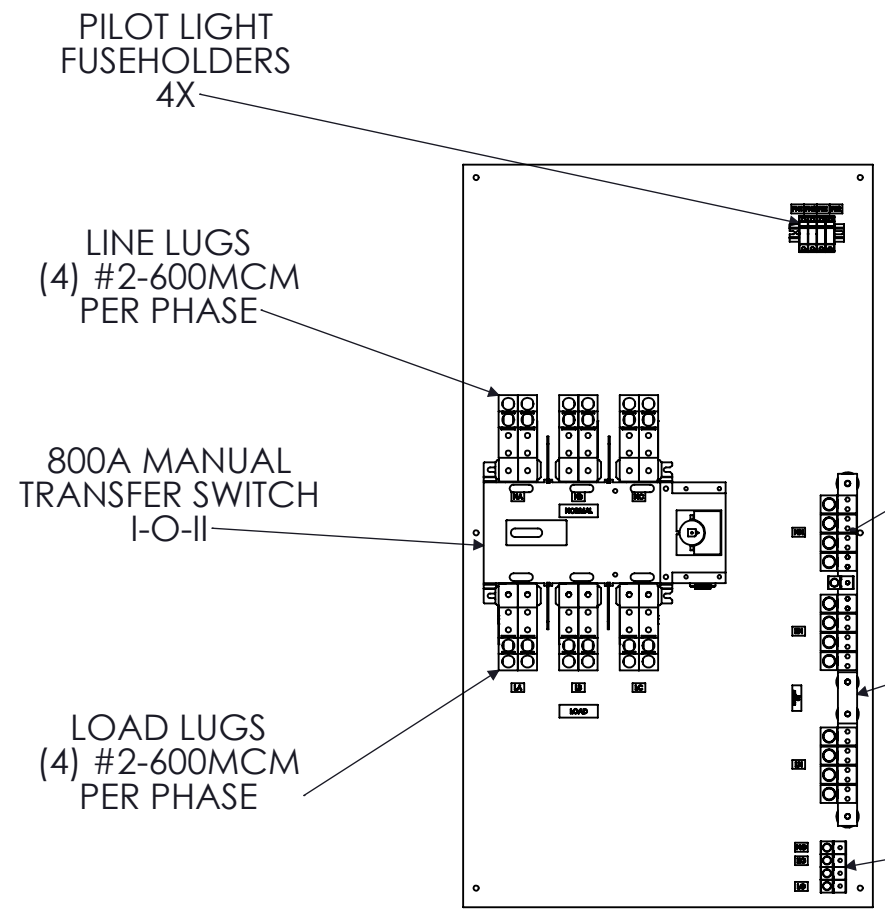
REV	DESCRIPTION	DATE	DRAWN	S.RICHARDSON
0	ORIGINAL RELEASE	1/10/17	CHECKED	
			SUP. NO	DRAWING TYPE
			SUP. BY NO	DIMENSIONAL
			PANEL NO	DRAWING NUMBER
			BUIL. NO	STS800N3RNF3CR
			GROUP NO	
			ORDER NO	



9900 TWIN LAKES PARKWAY  
 CHARLOTTE, NC 28269  
 704-596-5617  
 PSICONTROLSOLUTIONS.COM

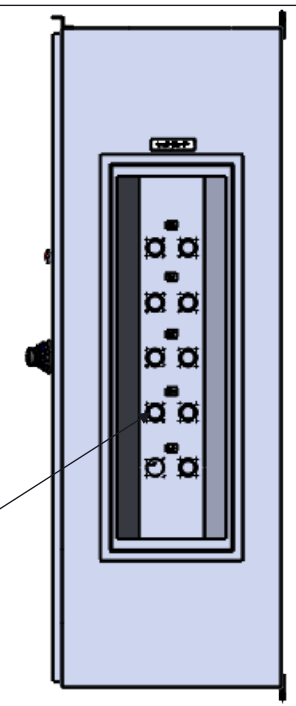


FRONT VIEW  
DOOR REMOVED



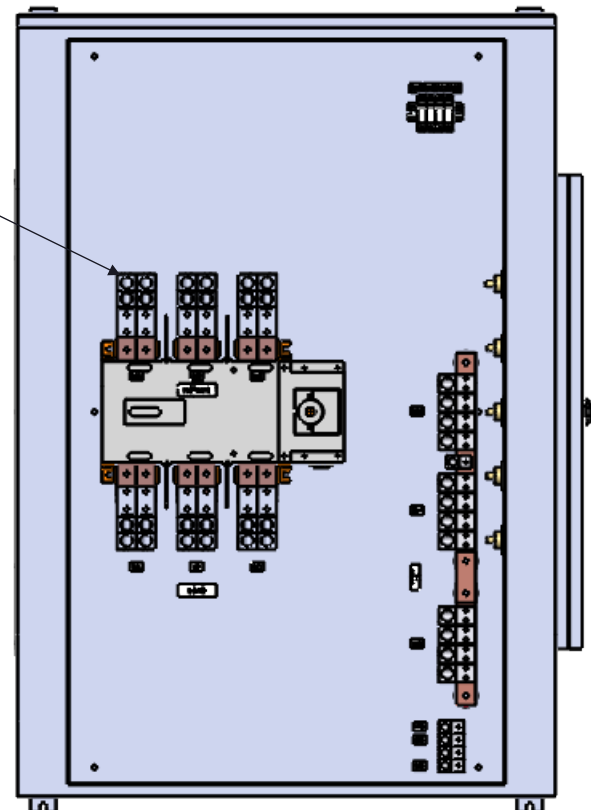
FRONT VIEW  
ENCLOSURE REMOVED

"EMERGENCY"  
CONNECTIONS  
(CAM-LOKS)



SIDE VIEW  
DOOR REMOVED

"NORMAL"  
CONNECTIONS  
(FRONT)




FRONT VIEW  
DOOR REMOVED

800A NON-FUSED 3-POLE NEMA 3R MANUAL TRANSFER SWITCH				
REV	DESCRIPTION	DATE	DRAWN	S.RICHARDSON
0	ORIGINAL RELEASE	1/11/17	CHECKED	
			SUP. NO	
			SUP. BY NO	
			PANEL NO	
			BUL. NO	
			GROUP NO	
			ORDER NO	

DRAWING TYPE  
**OUTLINE**

DRAWING NUMBER  
**STS800N3RNF3CR**



9900 TWIN LAKES PARKWAY  
CHARLOTTE, NC 28269  
704-596-5617  
PSICONTROLSOLUTIONS.COM