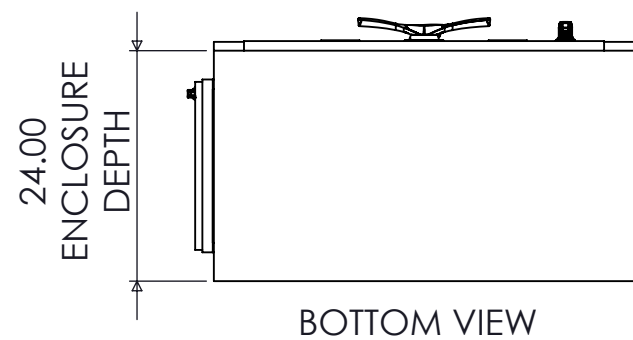
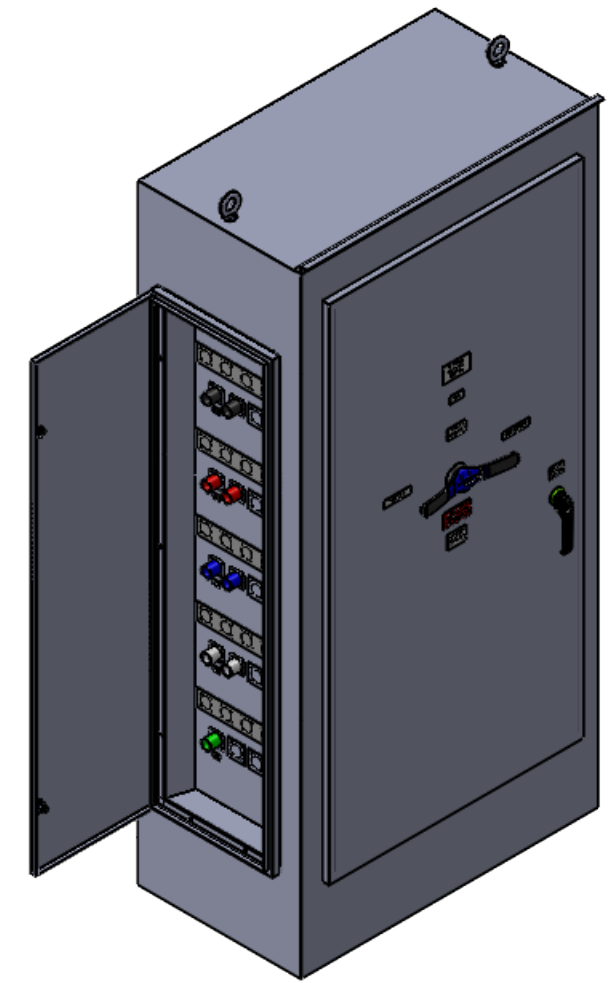
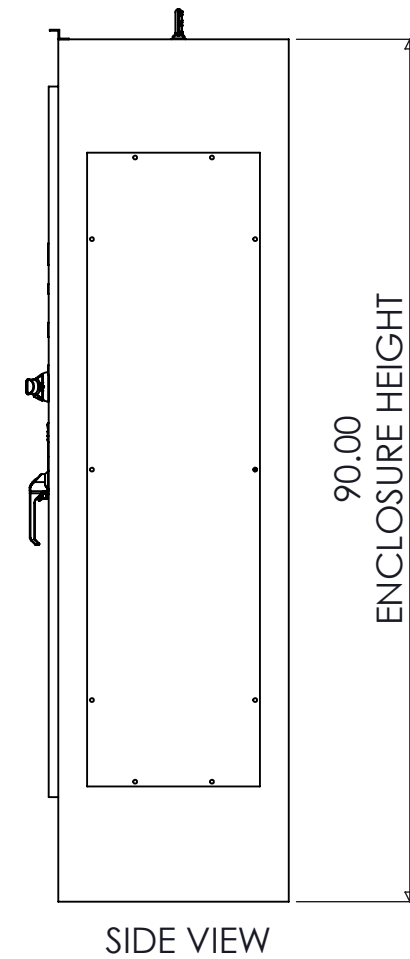
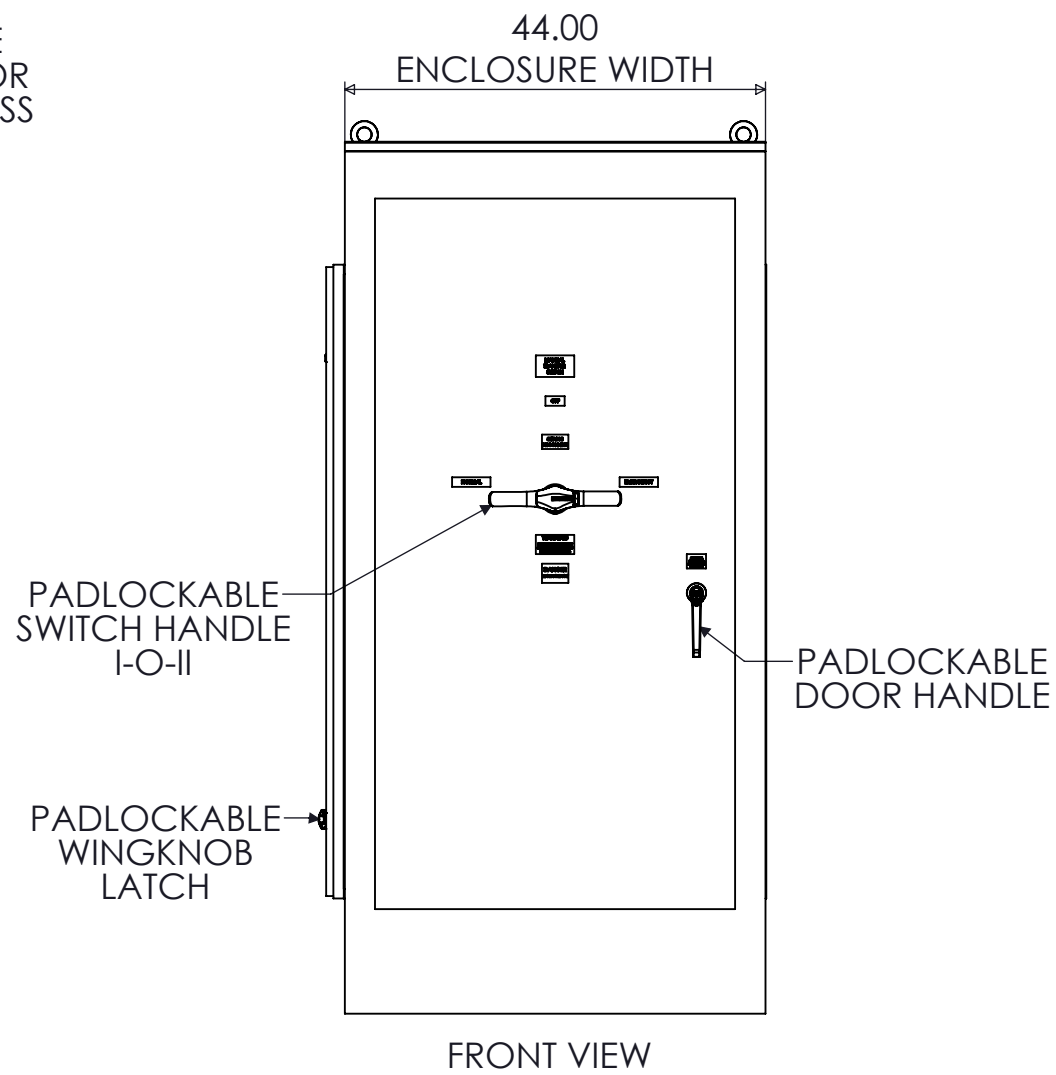
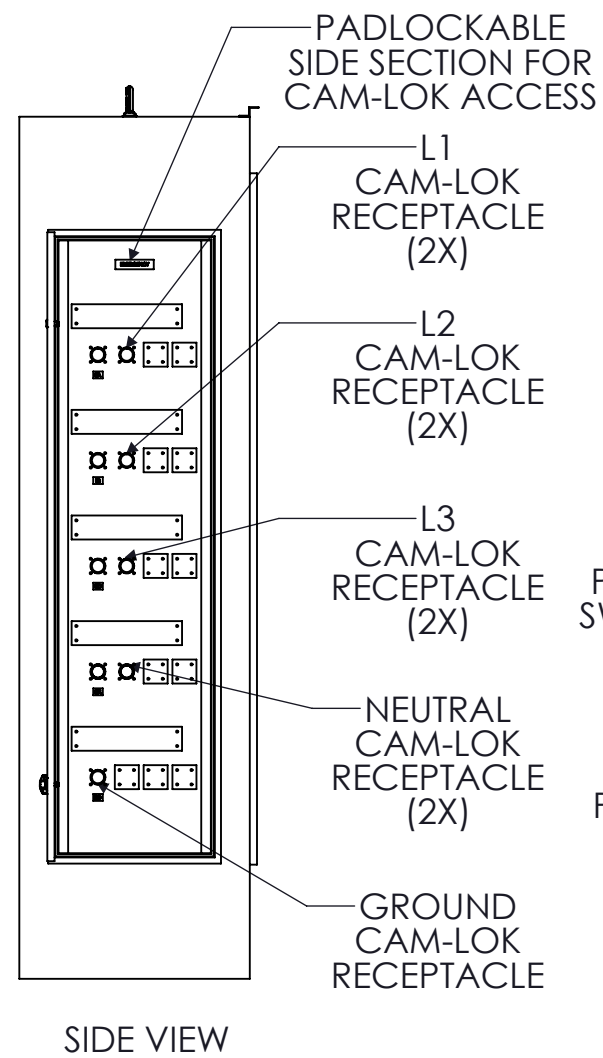
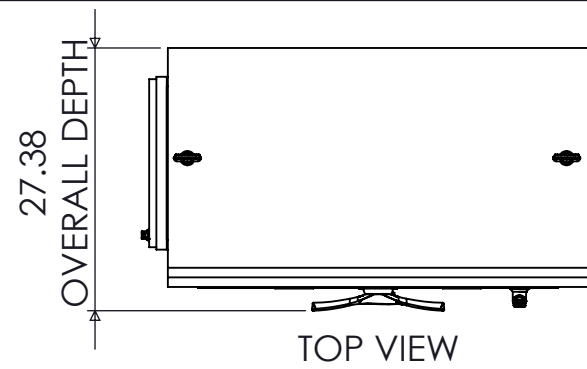


**SPECIFICATIONS**

MAX VOLTAGE - 600VAC 3 $\phi$   
 RATED CURRENT - 800 A  
 STANDARDS - UL508A  
 ENCLOSURE RATING - NEMA 3R  
 REF. ES100145BF  
 DURABILITY - 3550 CYCLES  
 EST SHIPPING WEIGHT - 650LBS  
 COLOR - RAL7035 LIGHT GREY




**RECEPTACLE/COVER COLOR SCHEME**

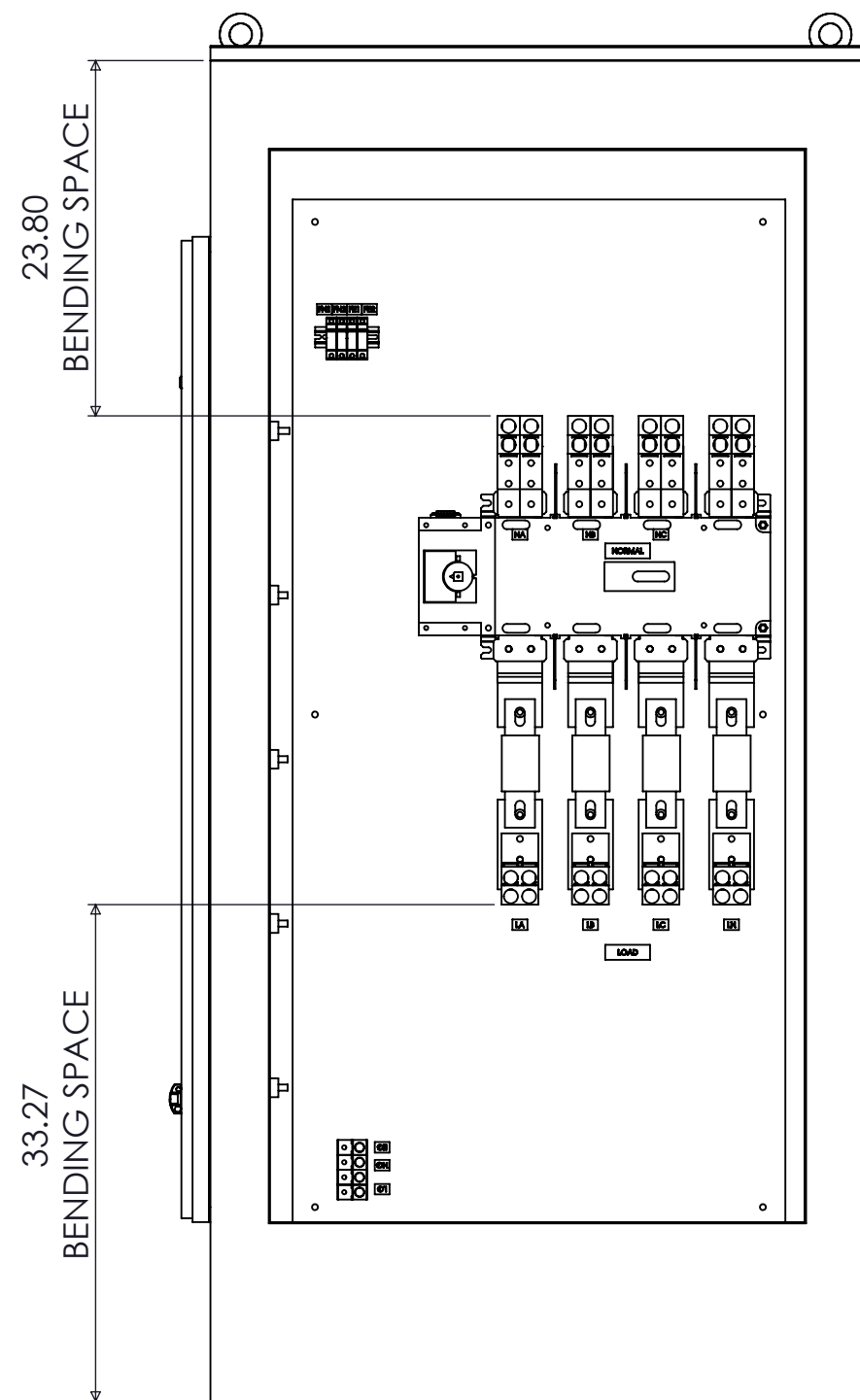
	L1	L2	L3	N	GND
240VAC	BLK	RED	BLU	WHT	GRN
480VAC	BRN	ORG	YEL	WHT	GRN
600VAC	BLK	BLK	BLK	WHT	GRN

**800A FUSIBLE 4-POLE NEMA 3R MANUAL TRANSFER SWITCH WITH CAM-LOKS (LEFT)**

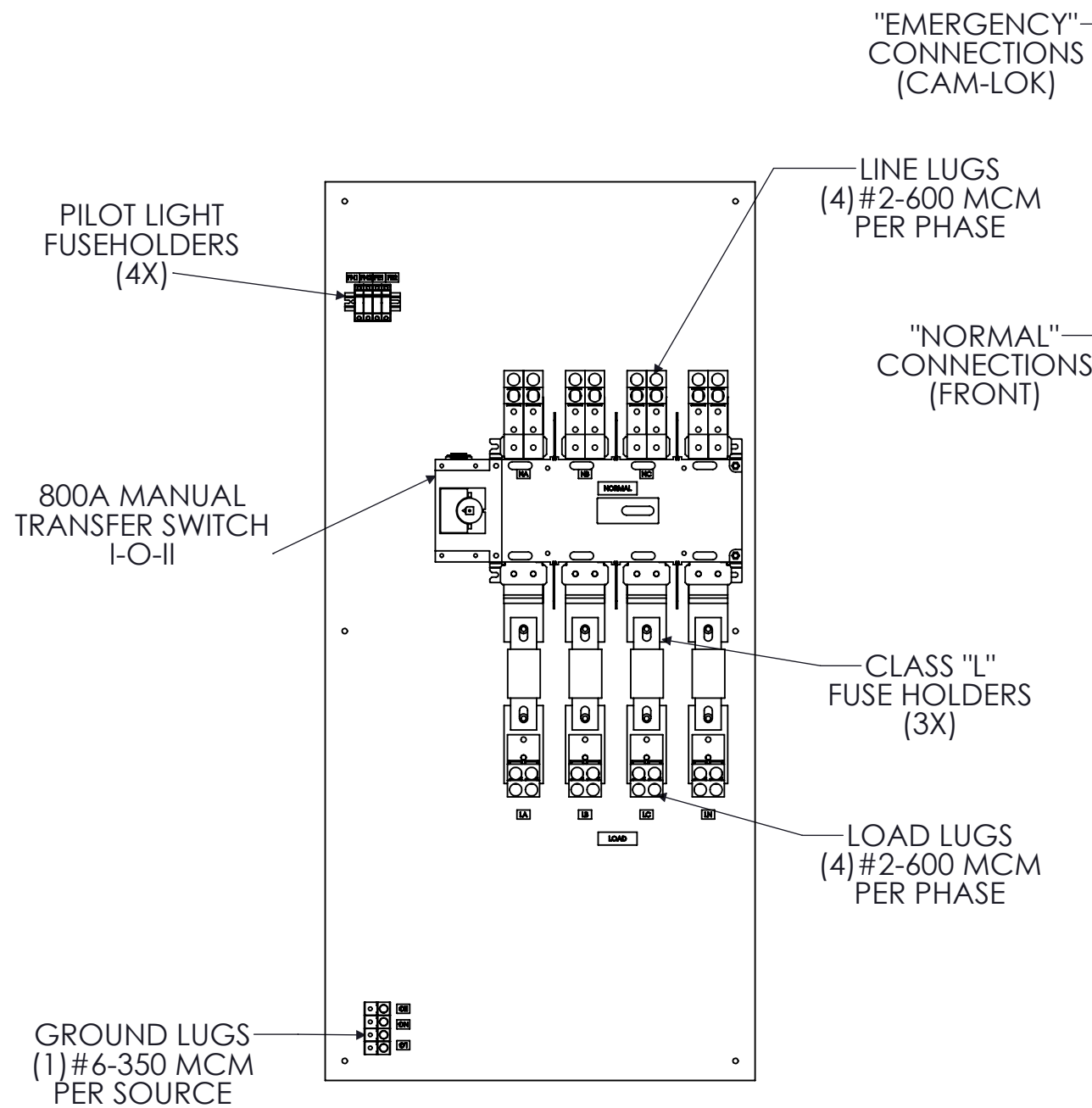
REV	DESCRIPTION	DATE	DRAWN	J.GONZALEZ
0	ORIGINAL RELEASE	1/17/17	CHECKED	
			SUP. NO	DRAWING TYPE
			SUP. BY NO	DIMENSIONAL
			PANEL NO	DRAWING NUMBER
			BUL. NO	STS800N3RBF4CL
			GROUP NO	
			ORDER NO	



9900 TWIN LAKES PARKWAY  
 CHARLOTTE, NC 28269  
 704-596-5617  
 PSICONTROLSOLUTIONS.COM



FRONT VIEW  
DOOR REMOVED



FRONT VIEW  
ENCLOSURE REMOVED

"EMERGENCY"  
CONNECTIONS  
(CAM-LOK)

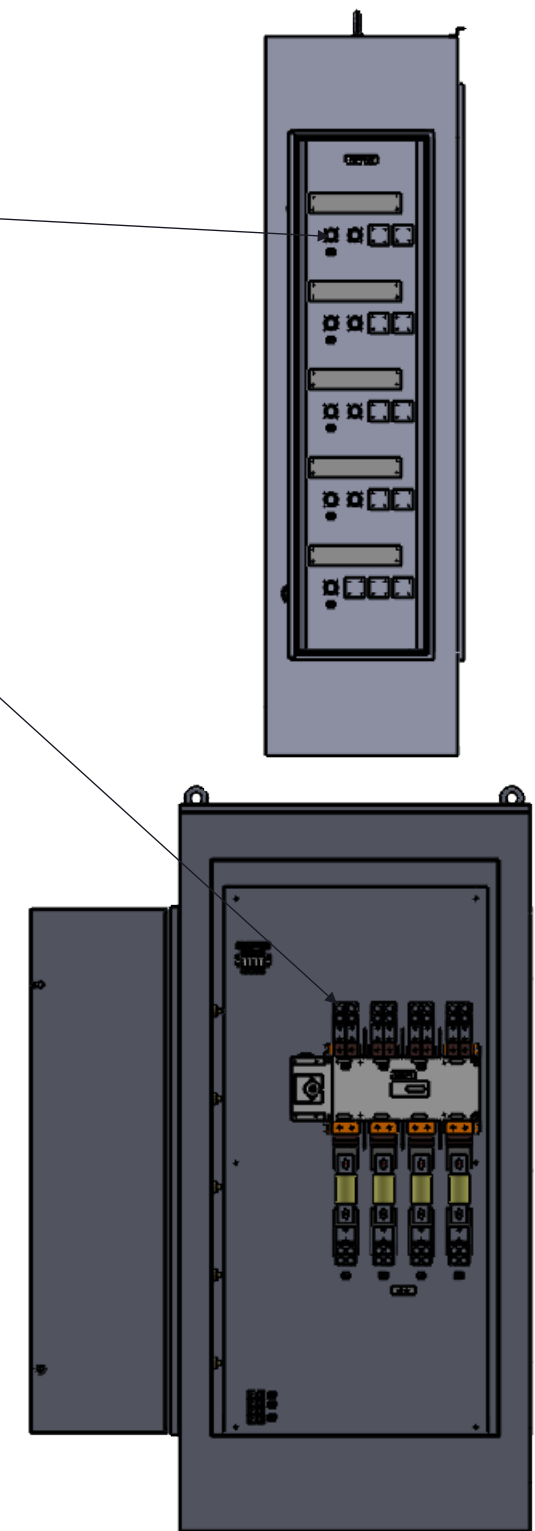
LINE LUGS  
(4)#2-600 MCM  
PER PHASE

"NORMAL"  
CONNECTIONS  
(FRONT)

CLASS "L"  
FUSE HOLDERS  
(3X)


LOAD LUGS  
(4)#2-600 MCM  
PER PHASE

GROUND LUGS  
(1)#6-350 MCM  
PER SOURCE



FRONT VIEW  
DOOR REMOVED

NOTE: FUSES PROVIDED IF PURCHASED  
208-600VAC : KRP-C-800SP

 9900 TWIN LAKES PARKWAY  
CHARLOTTE, NC 28269  
704-596-5617  
PSICONTROLSOLUTIONS.COM

800A FUSIBLE 4-POLE NEMA 3R MANUAL TRANSFER SWITCH WITH CAM-LOKS (LEFT)				
REV	DESCRIPTION	DATE	DRAWN	J.GONZALEZ
0	ORIGINAL RELEASE	1/17/17	CHECKED	
			SUP. NO	
			SUP. BY NO	
			PANEL NO	
			BUL. NO	
			GROUP NO	
			ORDER NO	

DRAWING TYPE  
**OUTLINE**  
DRAWING NUMBER  
**STS800N3RBF4CL**