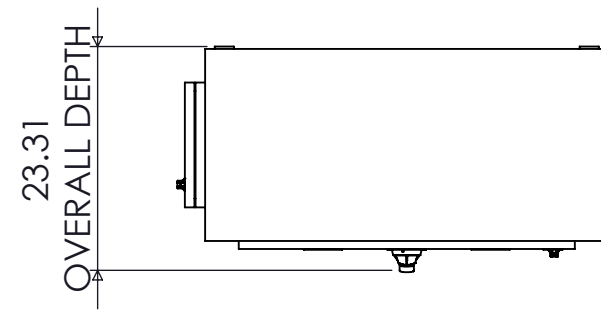
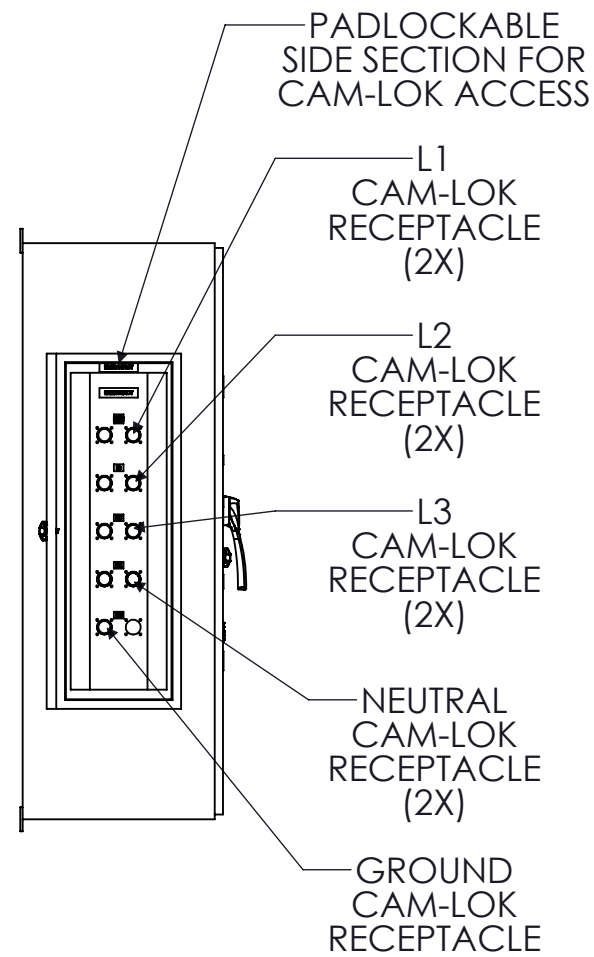


SPECIFICATIONS

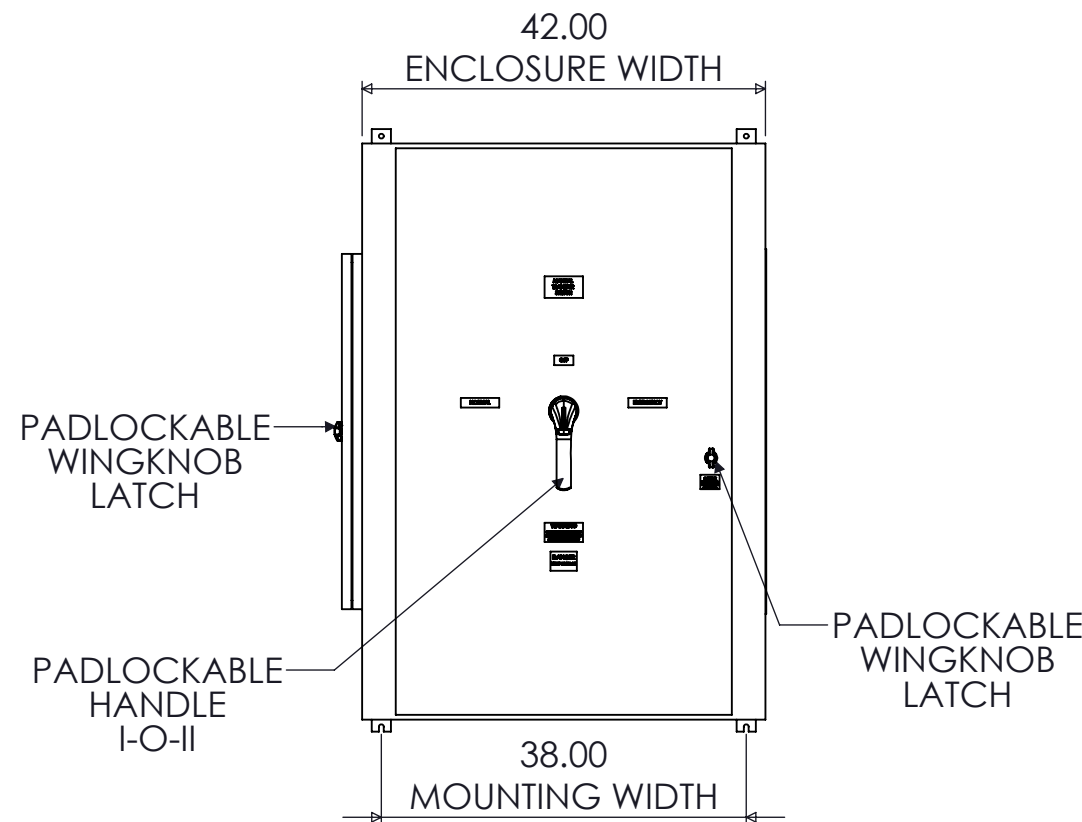
MAX VOLTAGE - 600VAC 3 ϕ
 RATED CURRENT - 600 A
 STANDARDS - UL508A
 ENCLOSURE RATING - NEMA 3R
 REF. ES100145SE
 DURABILITY - 6050 CYCLES
 EST SHIPPING WEIGHT - 475LBS
 COLOR - RAL7035 LIGHT GREY



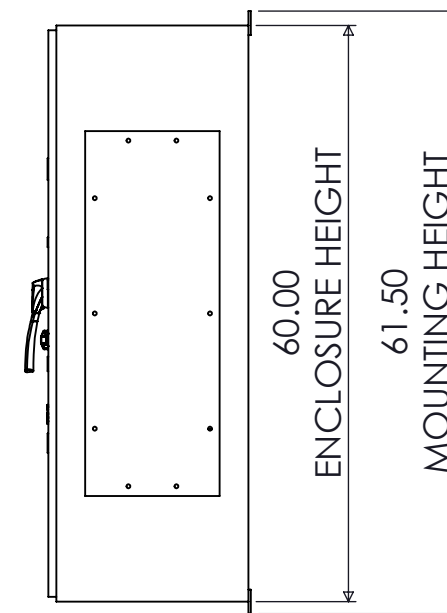
TOP VIEW



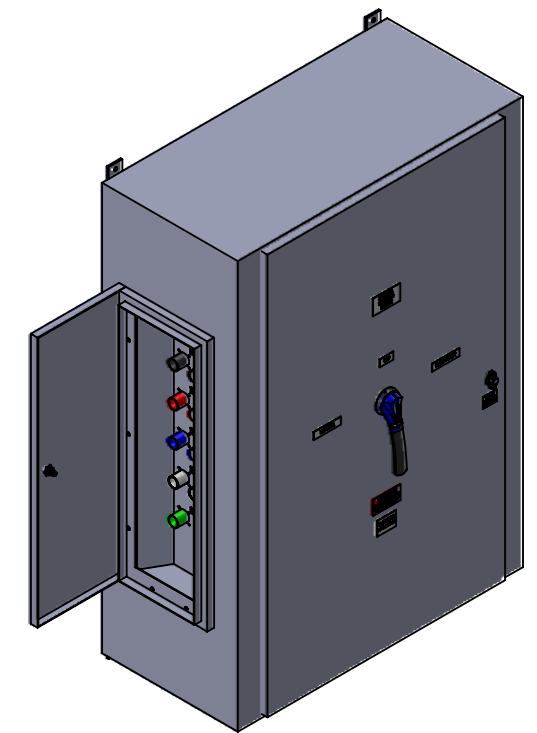
SIDE VIEW



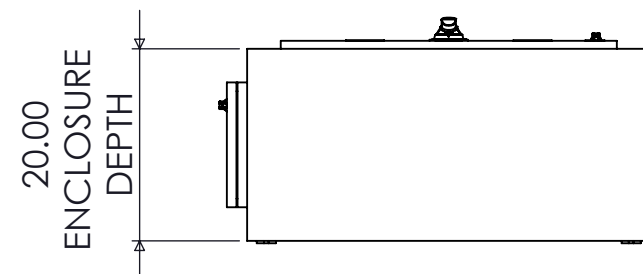
FRONT VIEW



SIDE VIEW



DIMETRIC VIEW



BOTTOM VIEW

RECEPTACLE/COVER COLOR SCHEME

	L1	L2	L3	N	GND
240VAC	BLK	RED	BLU	WHT	GRN
480VAC	BRN	ORG	YEL	WHT	GRN
600VAC	BLK	BLK	BLK	WHT	GRN

600A SE-RATED 4-POLE NEMA 3R MANUAL TRANSFER SWITCH WITH CAM-LOKS (LEFT)

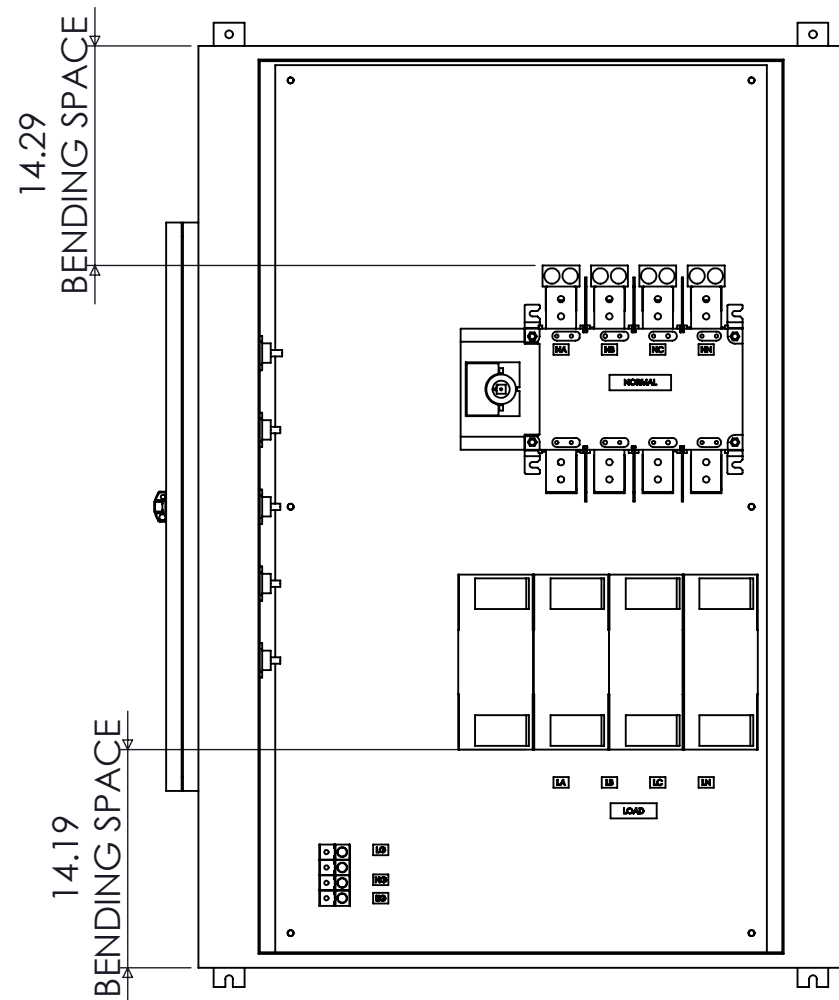
REV	DESCRIPTION	DATE	DRAWN	JG
0	ORIGINAL RELEASE	2/9/18	CHECKED	
			SUP. NO	
			SUP. BY NO	
			PANEL NO	
			BUIL. NO	
			GROUP NO	
			ORDER NO	

DRAWING TYPE
DIMENSIONAL

DRAWING NUMBER
STS600N3RSE4CL

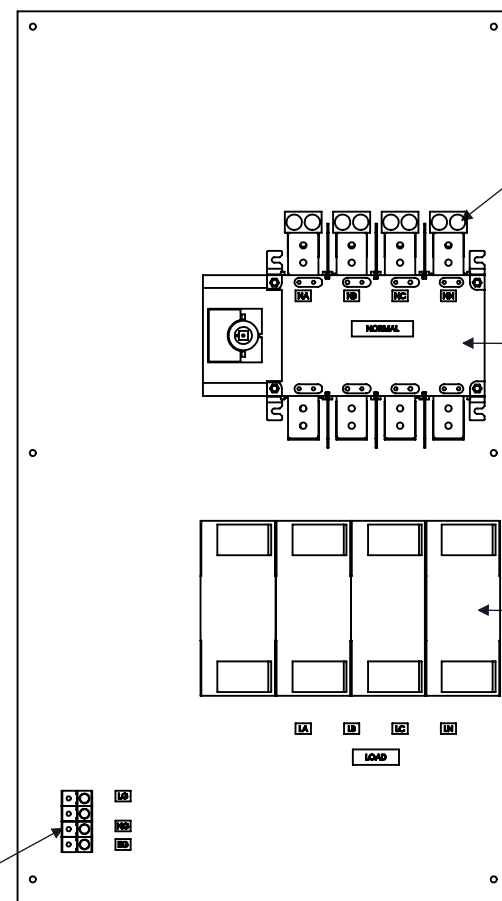


9900 TWIN LAKES PARKWAY
 CHARLOTTE, NC 28269
 704-596-5617
 PSICONTROLSOLUTIONS.COM



FRONT VIEW
DOOR REMOVED

GROUND LUG
(1) #6-350 MCM
PER SOURCE



FRONT VIEW
ENCLOSURE REMOVED

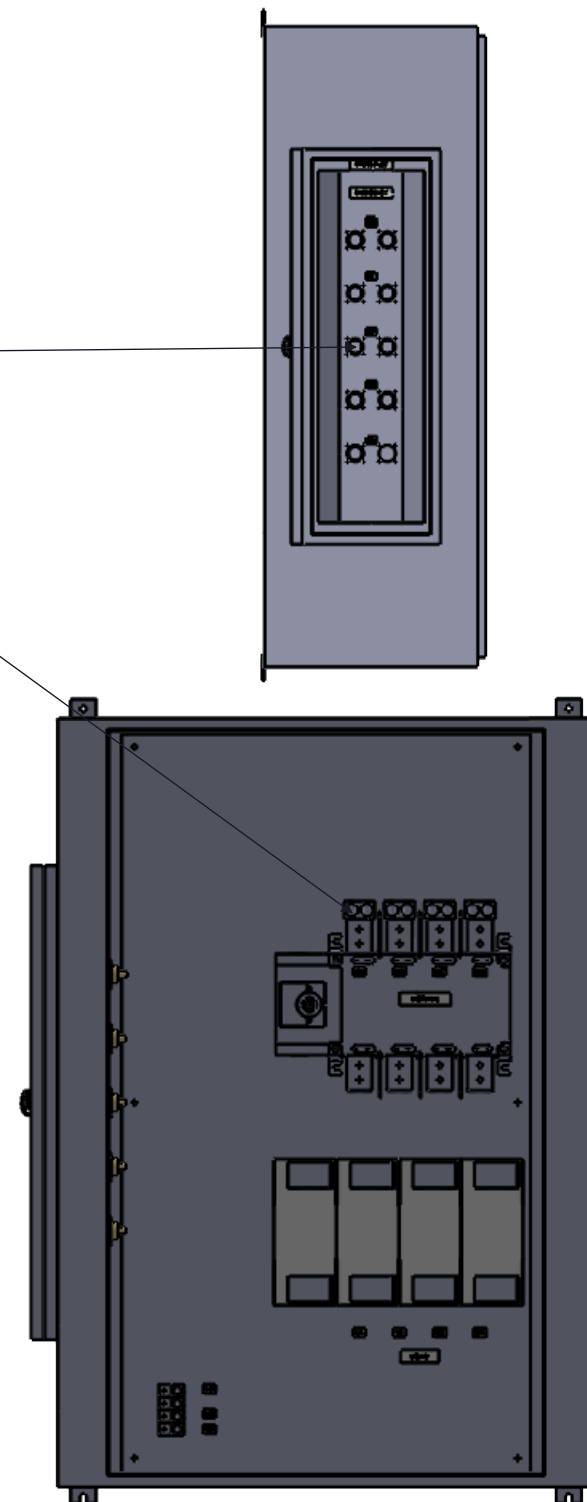
"EMERGENCY
CONNECTION"
(CAM-LOKS)

"NORMAL
CONNECTION"
(FRONT)

LINE LUGS
(2) #2-600 MCM
PER PHASE

600A MANUAL
TRANSFER SWITCH
I-O-II

LOAD LUGS
(2) #2-600 MCM
PER PHASE




FRONT VIEW
DOOR REMOVED

600A SE-RATED 4-POLE NEMA 3R MANUAL TRANSFER SWITCH WITH CAM-LOKS (LEFT)

REV	DESCRIPTION	DATE	DRAWN	JG
0	ORIGINAL RELEASE	2/9/18	CHECKED	
			SUP. NO	
			SUP. BY NO	
			PANEL NO	
			BUL. NO	
			GROUP NO	
			ORDER NO	

DRAWING TYPE
OUTLINE

DRAWING NUMBER
STS600N3RSE4CL



9900 TWIN LAKES PARKWAY
CHARLOTTE, NC 28269
704-596-5617
PSICONTROLSOLUTIONS.COM