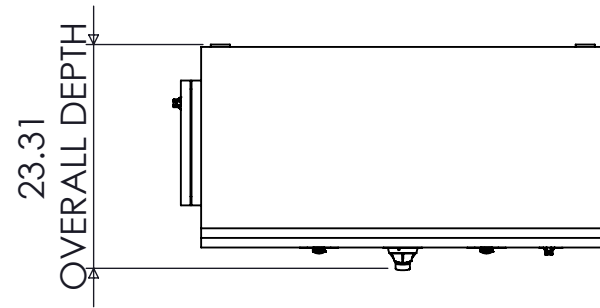
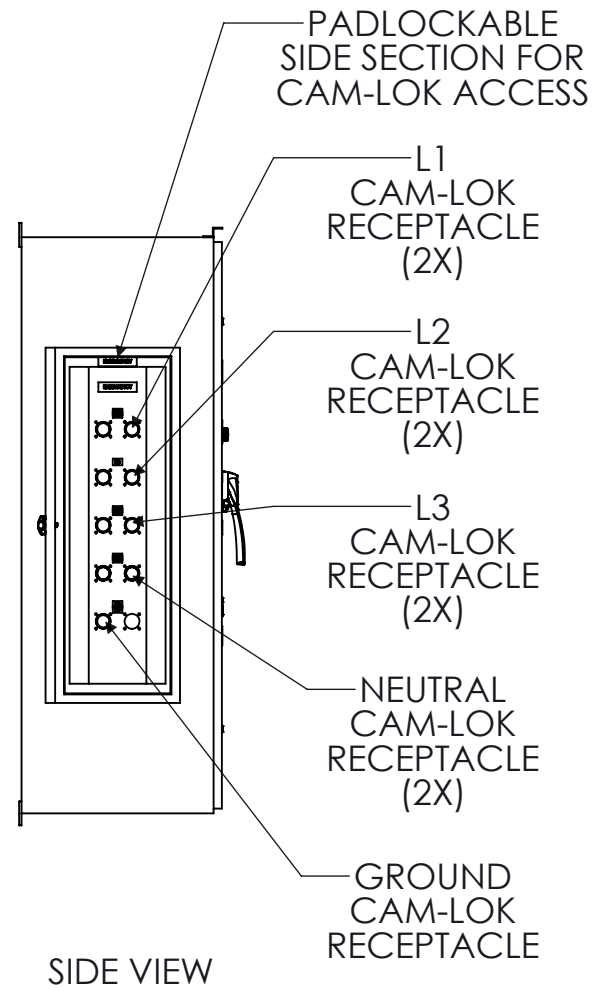


**SPECIFICATIONS**

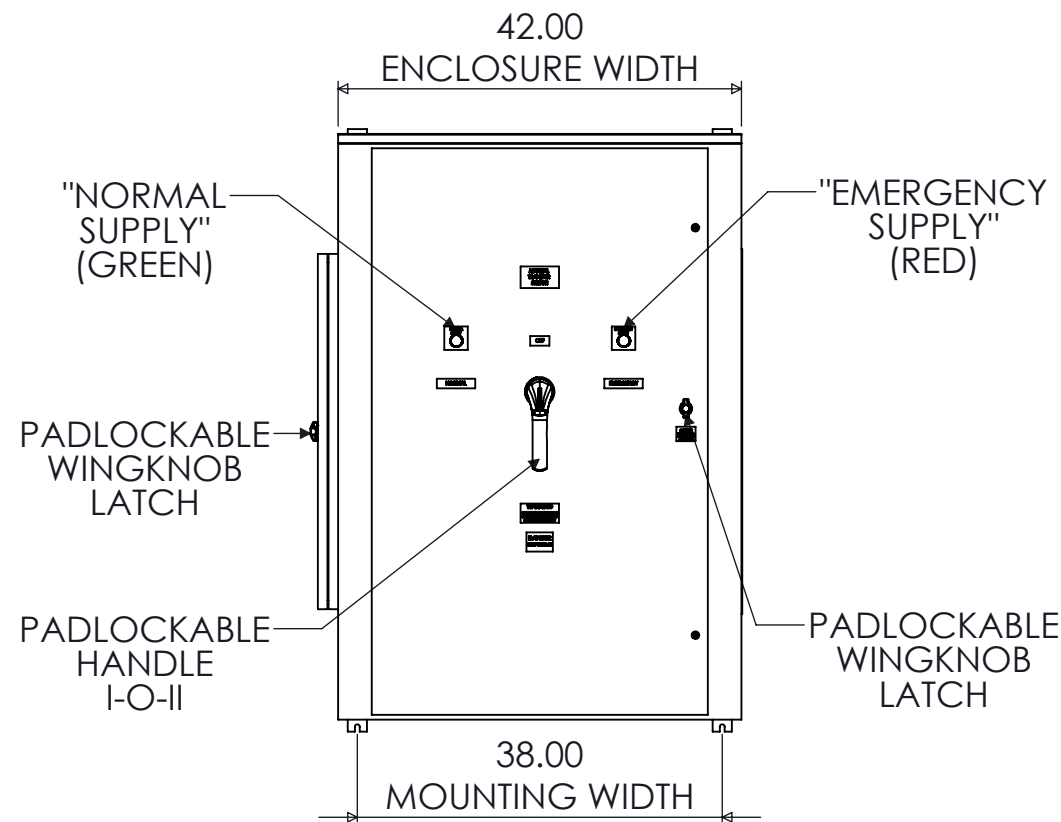
MAX VOLTAGE - 600VAC 3 $\phi$   
 RATED CURRENT - 600 A  
 STANDARDS - UL508A  
 ENCLOSURE RATING - NEMA 3R  
 REF. ES100145NF  
 DURABILITY - 6050 CYCLES  
 EST SHIPPING WEIGHT - 425LBS  
 COLOR - RAL7035 LIGHT GREY



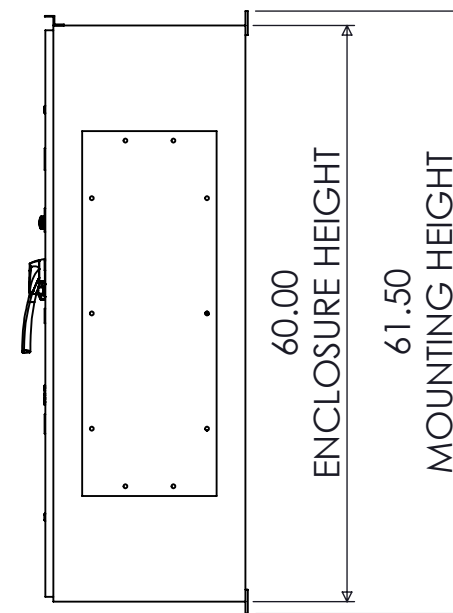
TOP VIEW



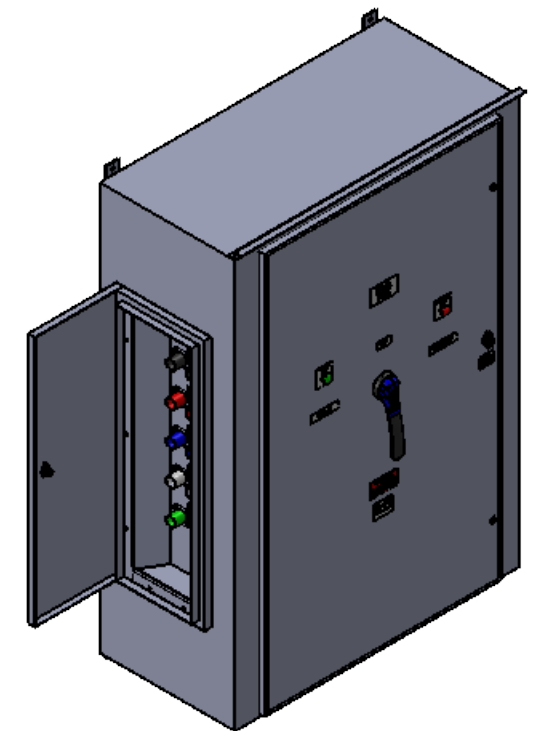
SIDE VIEW



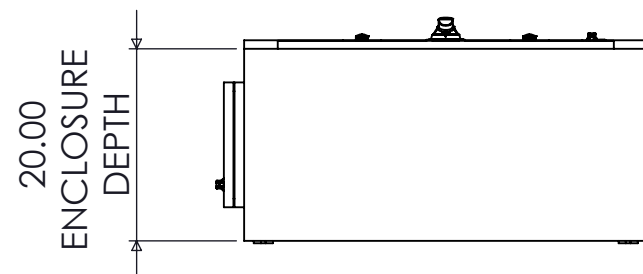
FRONT VIEW



SIDE VIEW



DIMETRIC VIEW




BOTTOM VIEW

**RECEPTACLE/COVER COLOR SCHEME**

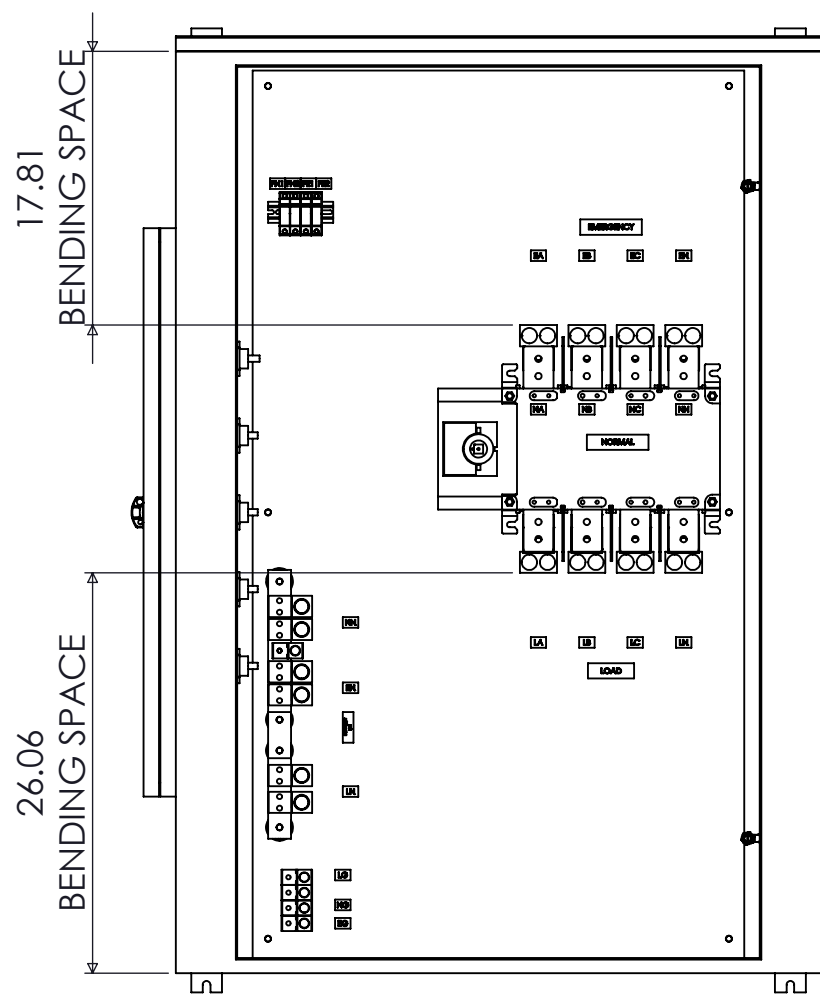
	L1	L2	L3	N	GND
240VAC	BLK	RED	BLU	WHT	GRN
480VAC	BRN	ORG	YEL	WHT	GRN
600VAC	BLK	BLK	BLK	WHT	GRN

**600A NON-FUSED 4-POLE NEMA 3R MANUAL TRANSFER SWITCH WITH CAM-LOKS (LEFT)**

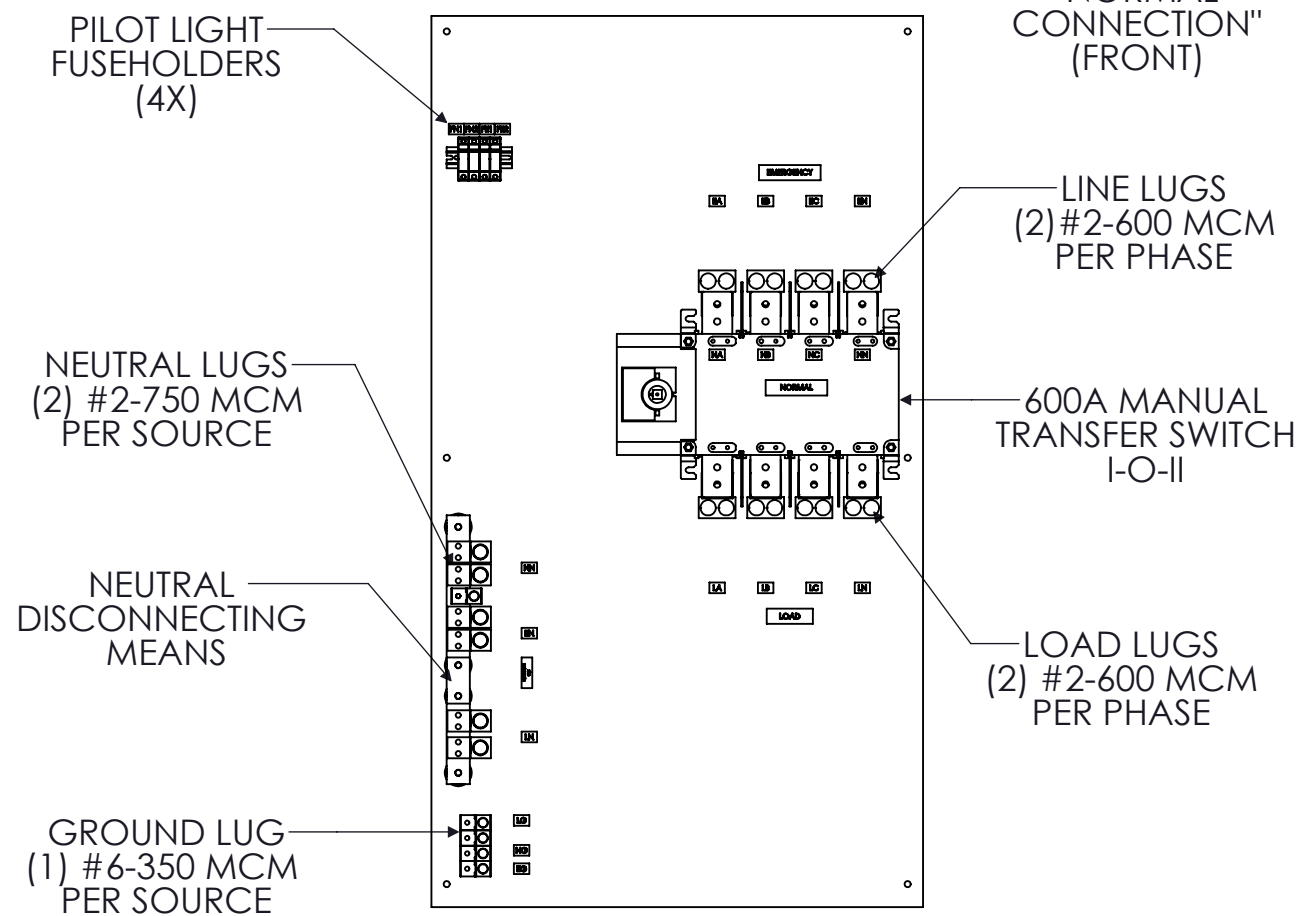
REV	DESCRIPTION	DATE	DRAWN	J.GONZALEZ
0	ORIGINAL RELEASE	1/17/17	CHECKED	
			SUP. NO	DRAWING TYPE
			SUP. BY NO	DIMENSIONAL
			PANEL NO	DRAWING NUMBER
			BUIL. NO	<b>STS600N3RNF4CL</b>
			GROUP NO	
			ORDER NO	



9900 TWIN LAKES PARKWAY  
 CHARLOTTE, NC 28269  
 704-596-5617  
 PSICONTROLSOLUTIONS.COM



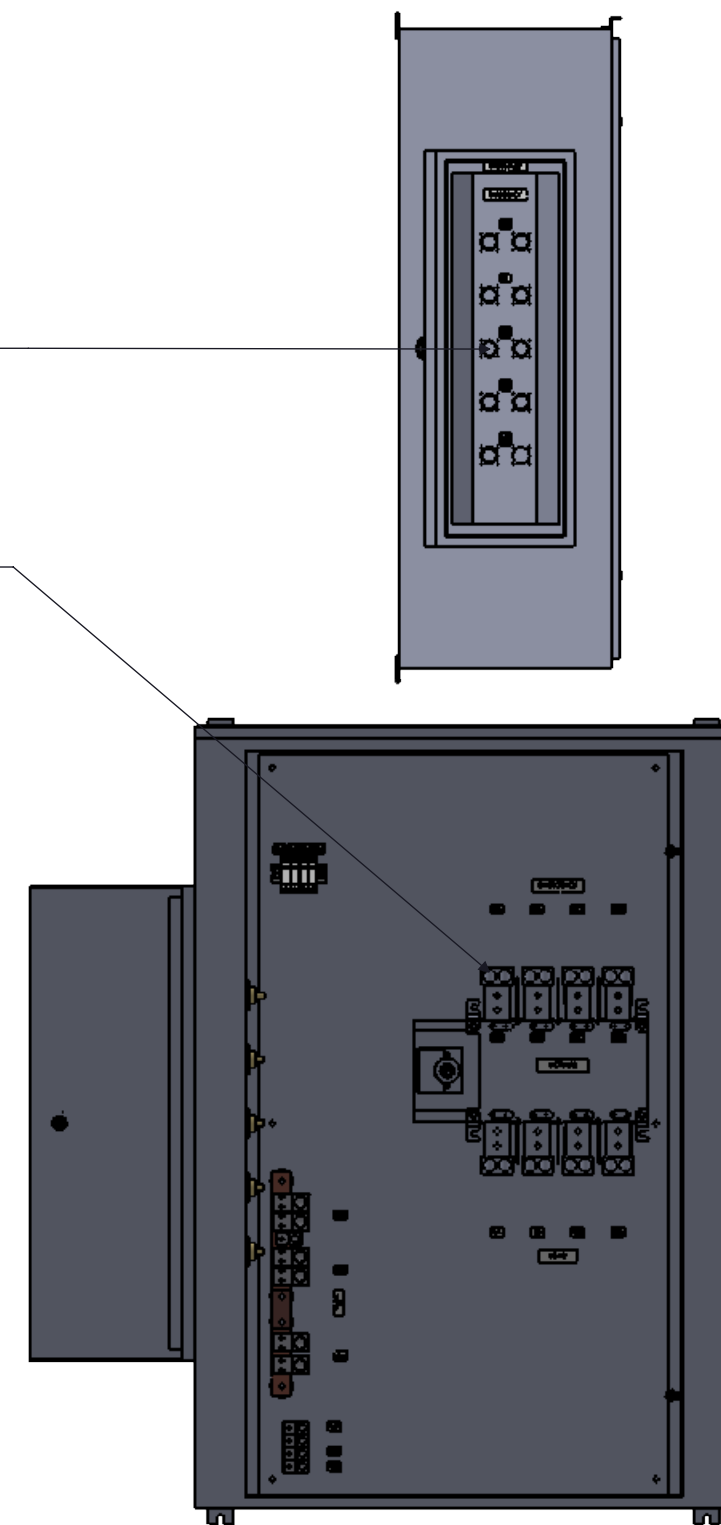
FRONT VIEW  
DOOR REMOVED



FRONT VIEW  
ENCLOSURE REMOVED

"EMERGENCY  
CONNECTION"  
(CAM-LOKS)

"NORMAL  
CONNECTION"  
(FRONT)




FRONT VIEW  
DOOR REMOVED

600A NON-FUSED 4-POLE NEMA 3R MANUAL TRANSFER SWITCH WITH CAM-LOKS (LEFT)

REV	DESCRIPTION	DATE	DRAWN	J.GONZALEZ
0	ORIGINAL RELEASE	1/17/17	CHECKED	
			SUP. NO	
			SUP. BY NO	
			PANEL NO	
			BUL. NO	
			GROUP NO	
			ORDER NO	

DRAWING TYPE	OUTLINE
DRAWING NUMBER	STS600N3RNF4CL



9900 TWIN LAKES PARKWAY  
CHARLOTTE, NC 28269  
704-596-5617  
PSICONTROLSOLUTIONS.COM