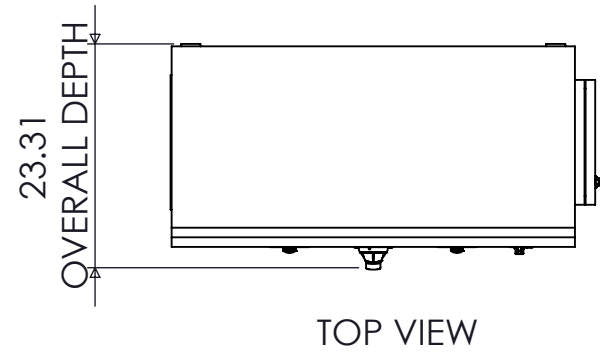
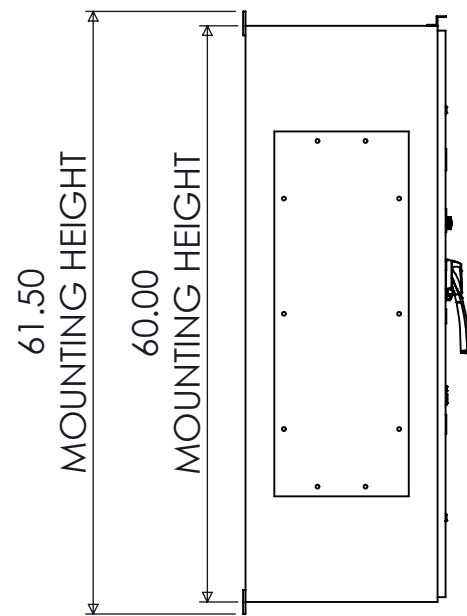


SPECIFICATIONS

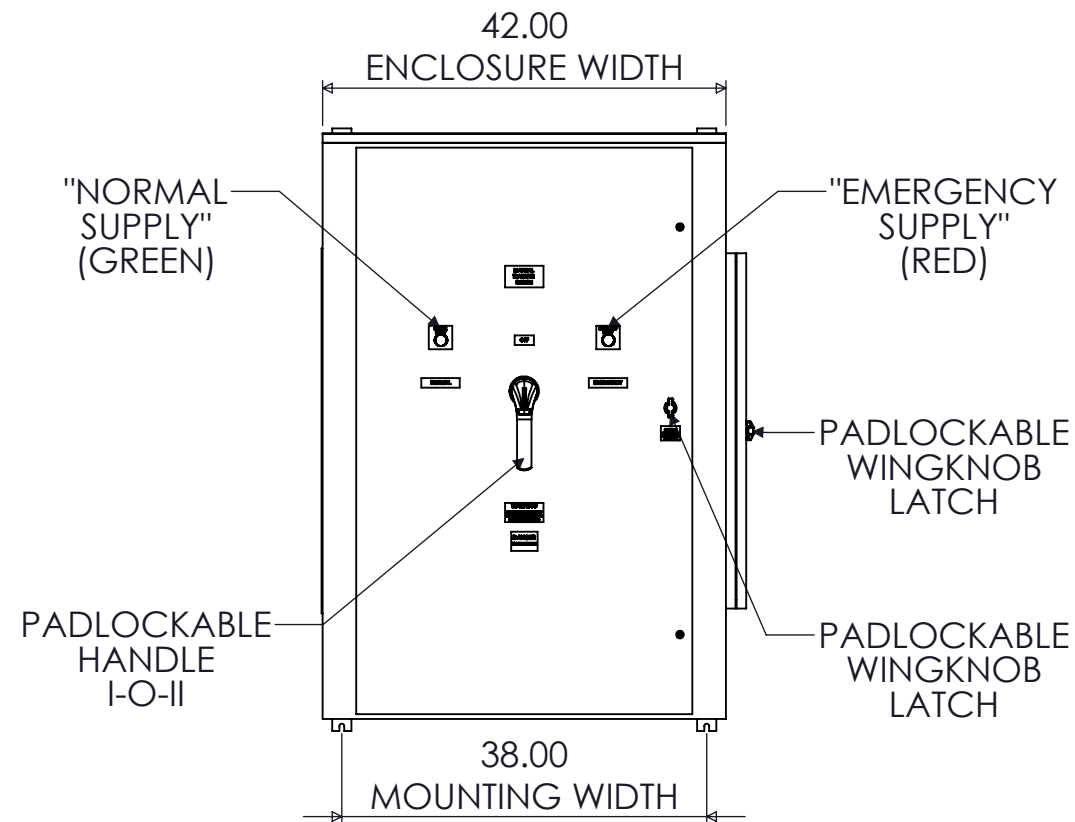
MAX VOLTAGE - 600VAC 3 ϕ
 RATED CURRENT - 600 A
 STANDARDS - UL508A
 ENCLOSURE RATING - NEMA 3R
 REF. ES100145BF
 DURABILITY - 6050 CYCLES
 EST SHIPPING WEIGHT - 450LBS
 COLOR - RAL7035 LIGHT GREY



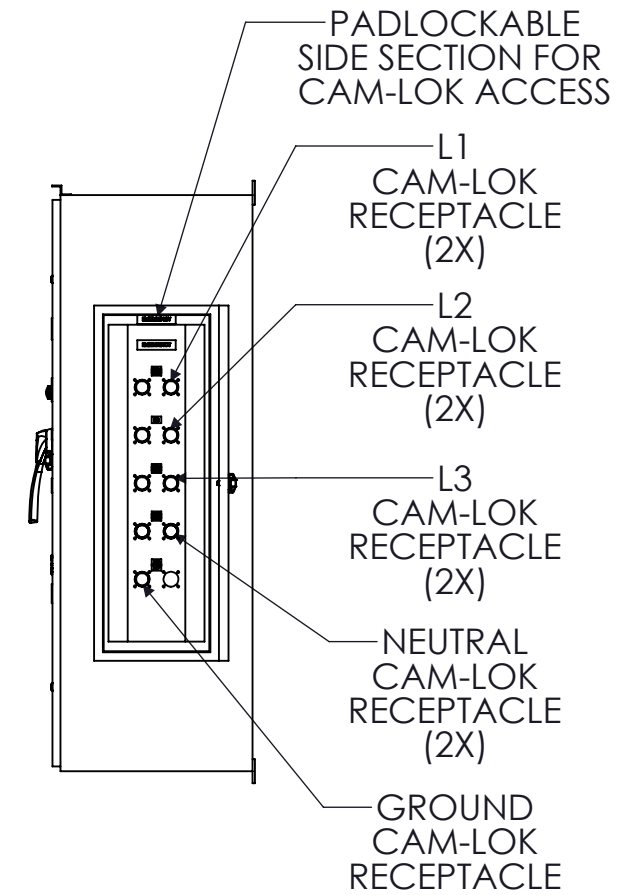
TOP VIEW



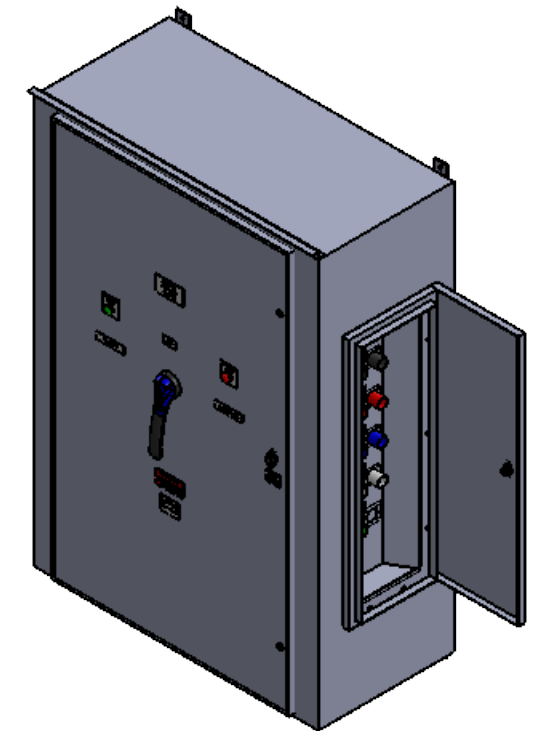
SIDE VIEW



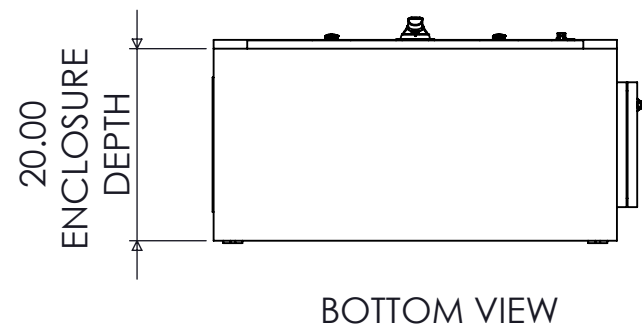
FRONT VIEW



SIDE VIEW



DIMETRIC VIEW



BOTTOM VIEW

RECEPTACLE/COVER COLOR SCHEME

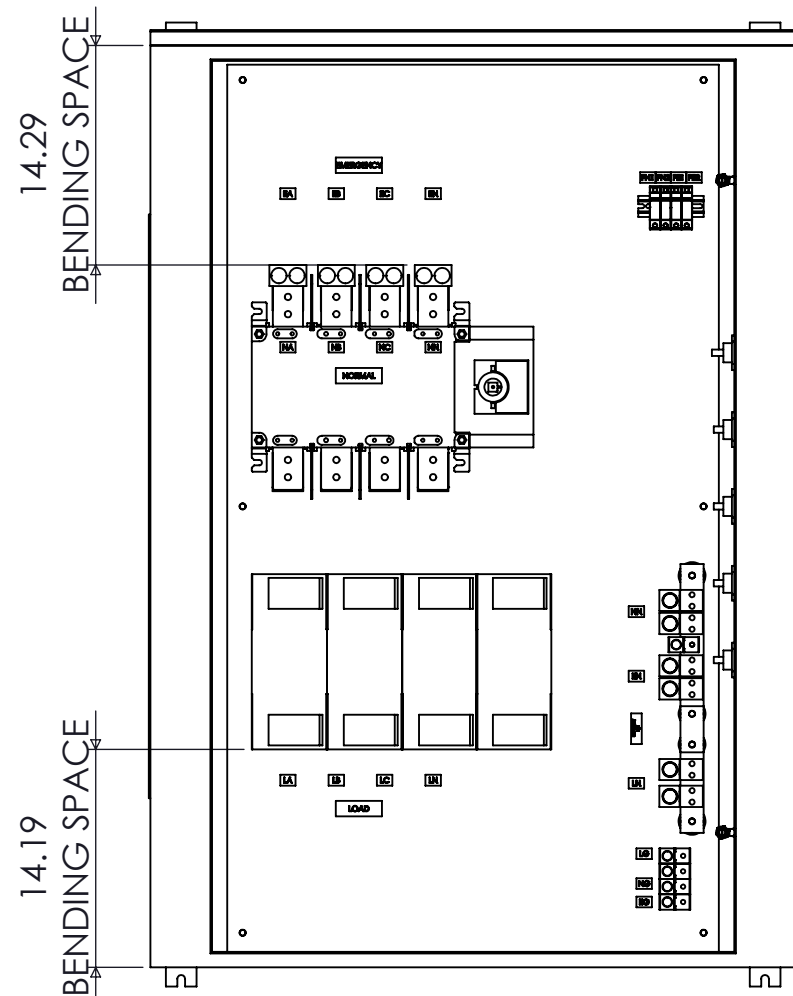
| | L1 | L2 | L3 | N | GND |
|--------|-----|-----|-----|-----|-----|
| 240VAC | BLK | RED | BLU | WHT | GRN |
| 480VAC | BRN | ORG | YEL | WHT | GRN |
| 600VAC | BLK | BLK | BLK | WHT | GRN |

600A FUSIBLE 4-POLE NEMA 3R MANUAL TRANSFER SWITCH WITH CAM-LOKS (RIGHT)

| REV | DESCRIPTION | DATE | DRAWN | J.GONZALEZ |
|-----|------------------|---------|------------|-----------------------|
| 0 | ORIGINAL RELEASE | 1/17/17 | CHECKED | |
| | | | SUP. NO | DRAWING TYPE |
| | | | SUP. BY NO | DIMENSIONAL |
| | | | PANEL NO | DRAWING NUMBER |
| | | | BUIL. NO | STS600N3RBF4CR |
| | | | GROUP NO | |
| | | | ORDER NO | |



9900 TWIN LAKES PARKWAY
 CHARLOTTE, NC 28269
 704-596-5617
 PSICONTROLSOLUTIONS.COM

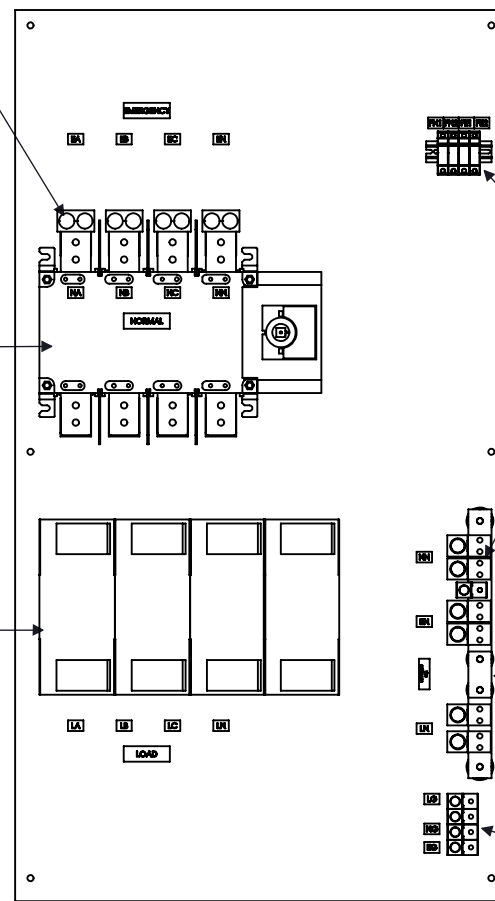


FRONT VIEW
DOOR REMOVED

LINE LUGS
(2) #2-600 MCM
PER PHASE

600A MANUAL
TRANSFER SWITCH
I-O-II

600A
FUSEBLOCK
240V:(2) #4-500 MCM
480V:(2) #4/0-500 MCM



FRONT VIEW
ENCLOSURE REMOVED

"EMERGENCY
CONNECTION"
(CAM-LOKS)

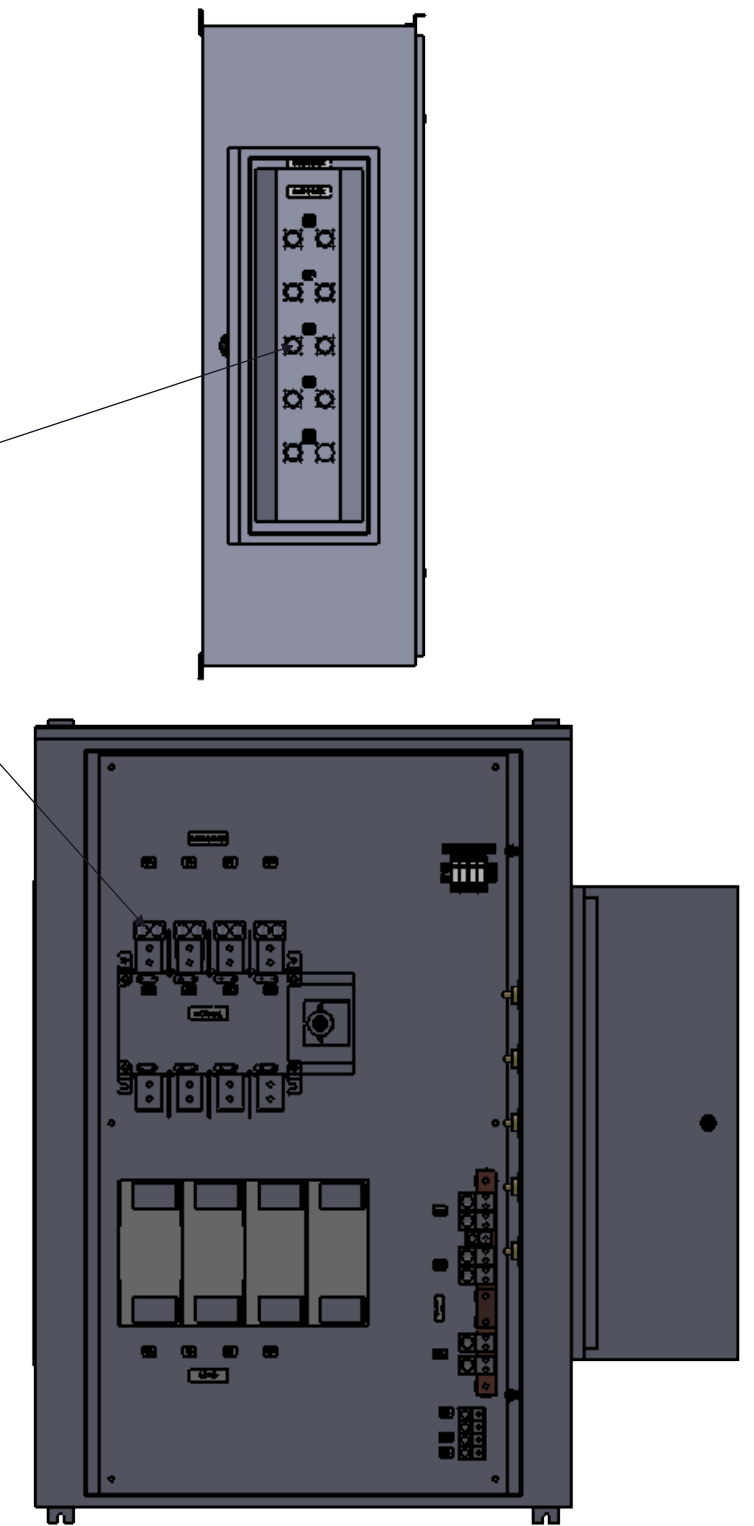
"NORMAL
CONNECTION"
(FRONT)

PILOT LIGHT
FUSEHOLDERS
(4X)

NEUTRAL LUGS
(2) #2-750 MCM
PER SOURCE


NEUTRAL
DISCONNECTING
MEANS

GROUND LUG
(1) #6-350 MCM
PER SOURCE



FRONT VIEW
DOOR REMOVED

NOTE: FUSES PROVIDED IF PURCHASED
208-240VAC : FRN-R-600
480-600VAC : LPJ-600SP

 9900 TWIN LAKES PARKWAY
CHARLOTTE, NC 28269
704-596-5617
PSICONTROLSOLUTIONS.COM

600A FUSIBLE 4-POLE NEMA 3R MANUAL TRANSFER SWITCH WITH CAM-LOKS (RIGHT)

| REV | DESCRIPTION | DATE | DRAWN | J.GONZALEZ | CHECKED |
|-----|------------------|---------|------------|------------|---------|
| 0 | ORIGINAL RELEASE | 1/17/17 | | | |
| | | | SUP. NO | | |
| | | | SUP. BY NO | | |
| | | | PANEL NO | | |
| | | | BUL. NO | | |
| | | | GROUP NO | | |
| | | | ORDER NO | | |

DRAWING TYPE
OUTLINE
DRAWING NUMBER
STS600N3RBF4CR