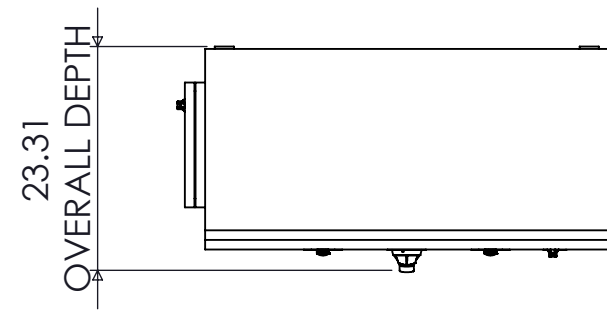
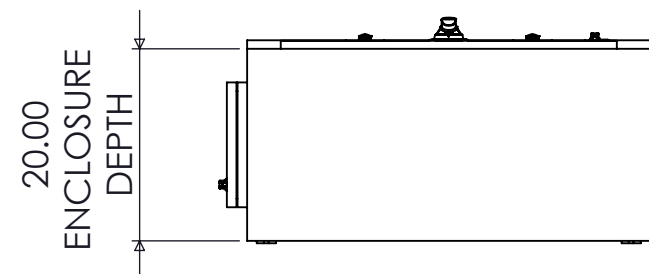
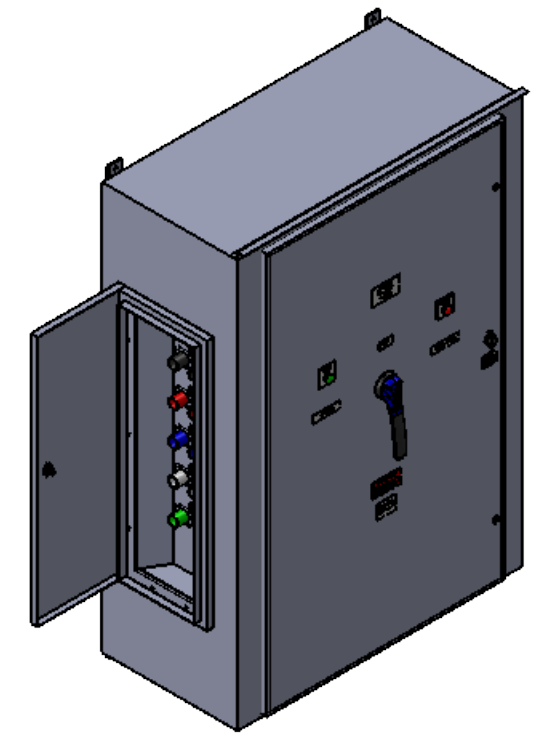
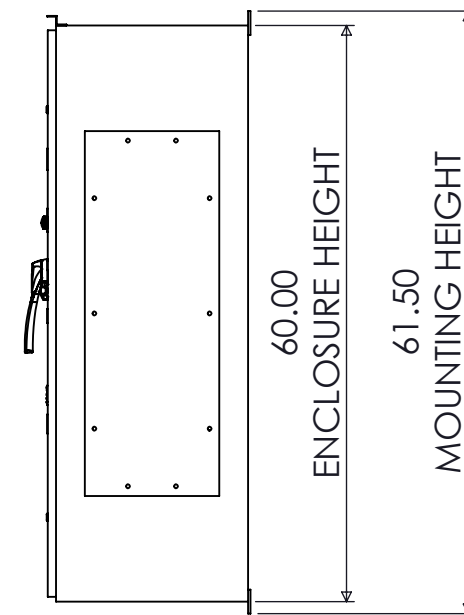
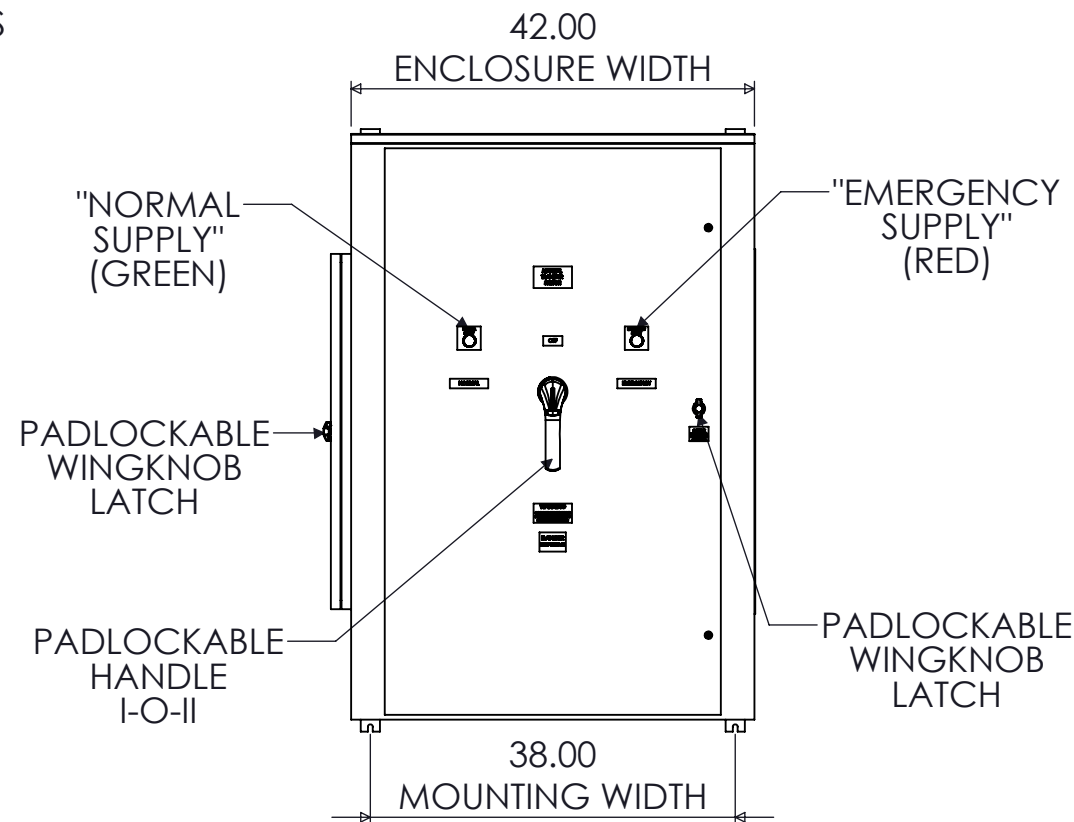
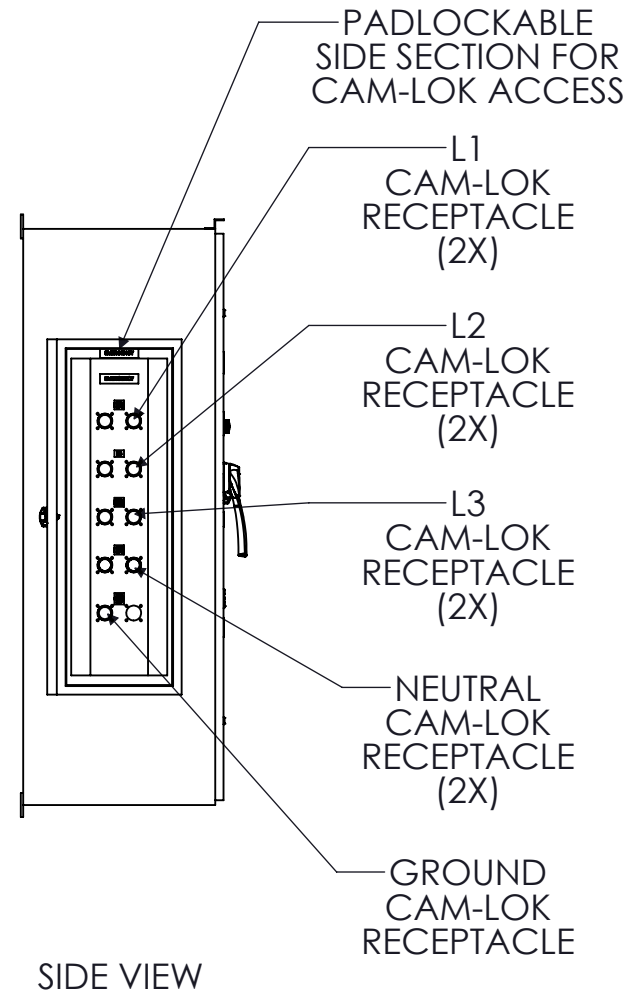


**SPECIFICATIONS**

MAX VOLTAGE - 600VAC 3 $\phi$   
 RATED CURRENT - 600 A  
 STANDARDS - UL508A  
 ENCLOSURE RATING - NEMA 3R  
 REF. ES100145BF  
 DURABILITY - 6050 CYCLES  
 EST SHIPPING WEIGHT - 450LBS  
 COLOR - RAL7035 LIGHT GREY



TOP VIEW




**RECEPTACLE/COVER COLOR SCHEME**

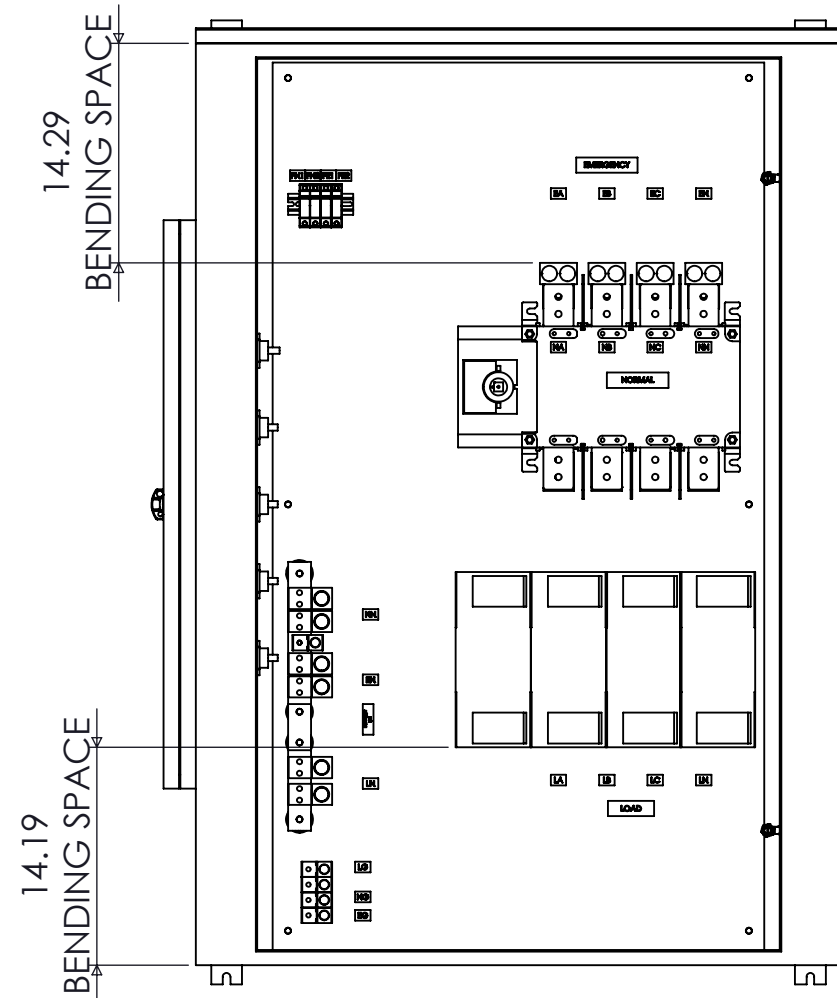
	L1	L2	L3	N	GND
240VAC	BLK	RED	BLU	WHT	GRN
480VAC	BRN	ORG	YEL	WHT	GRN
600VAC	BLK	BLK	BLK	WHT	GRN

**600A FUSIBLE 4-POLE NEMA 3R MANUAL TRANSFER SWITCH WITH CAM-LOKS (LEFT)**

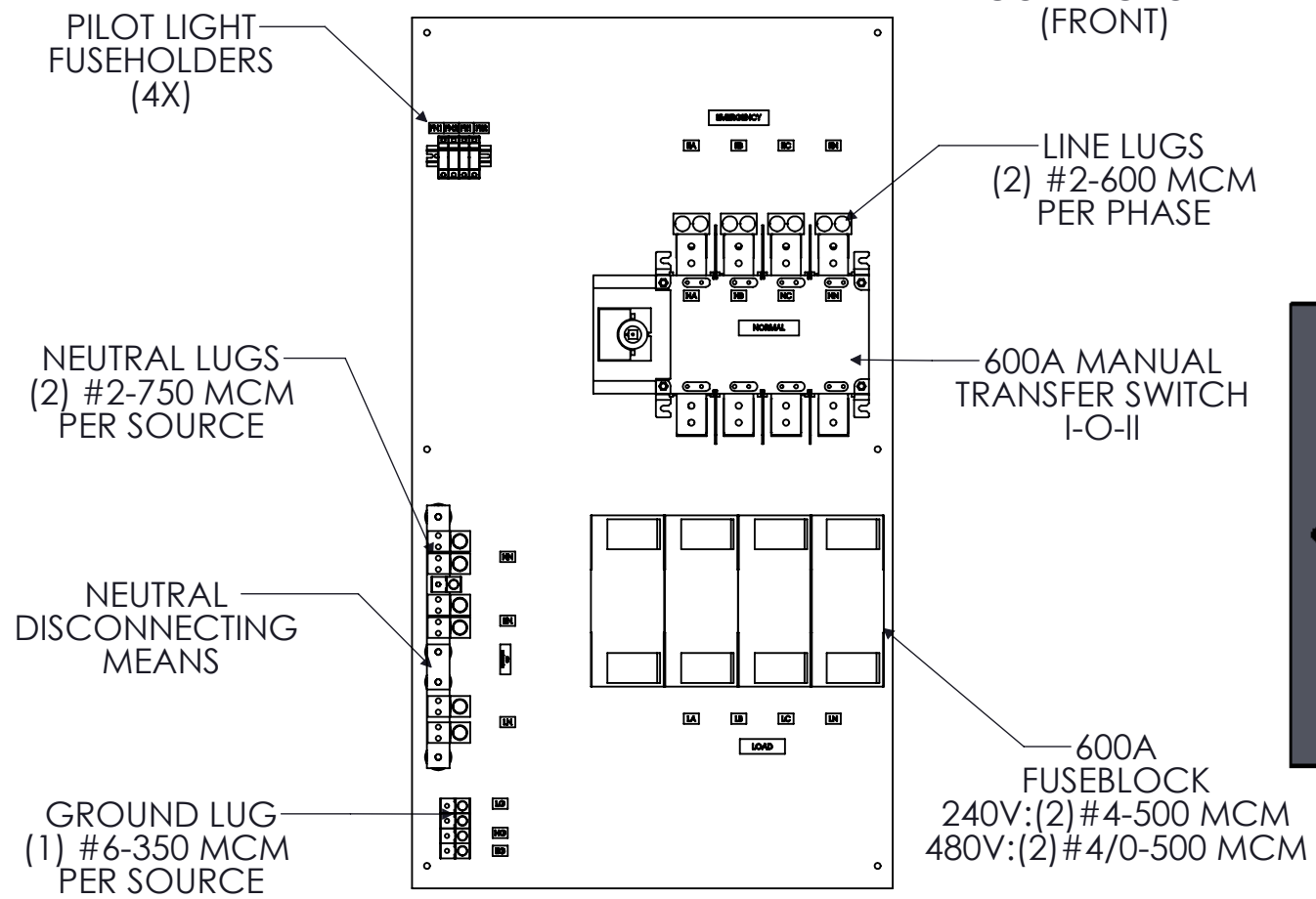
REV	DESCRIPTION	DATE	DRAWN	J.GONZALEZ
0	ORIGINAL RELEASE	1/17/17	CHECKED	
			SUP. NO	DRAWING TYPE
			SUP. BY NO	DIMENSIONAL
			PANEL NO	DRAWING NUMBER
			BUIL. NO	STS600N3RBF4CL
			GROUP NO	
			ORDER NO	



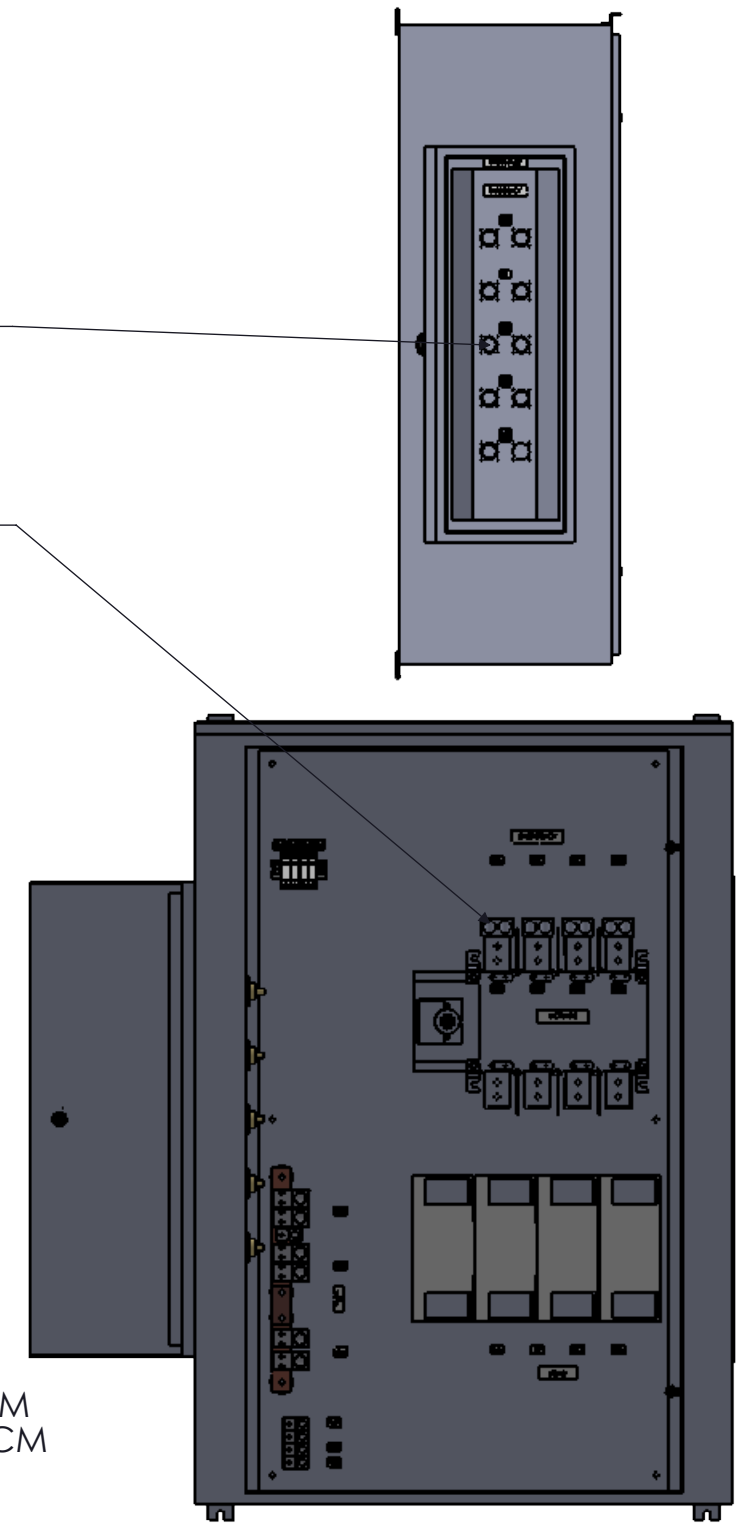
9900 TWIN LAKES PARKWAY  
 CHARLOTTE, NC 28269  
 704-596-5617  
 PSICONTROLSOLUTIONS.COM



FRONT VIEW  
DOOR REMOVED




FRONT VIEW  
ENCLOSURE REMOVED



FRONT VIEW  
DOOR REMOVED

NOTE: FUSES PROVIDED IF PURCHASED  
208-240VAC : FRN-R-600  
480-600VAC : LPJ-600SP

 9900 TWIN LAKES PARKWAY  
CHARLOTTE, NC 28269  
704-596-5617  
PSICONTROLSOLUTIONS.COM

600A FUSIBLE 4-POLE NEMA 3R MANUAL TRANSFER SWITCH WITH CAM-LOKS (LEFT)

REV	DESCRIPTION	DATE	DRAWN	J.GONZALEZ	CHECKED
0	ORIGINAL RELEASE	1/17/17			
			SUP. NO		
			SUP. BY NO		
			PANEL NO		
			BUL. NO		
			GROUP NO		
			ORDER NO		

DRAWING TYPE  
**OUTLINE**

DRAWING NUMBER  
**STS600N3RBF4CL**