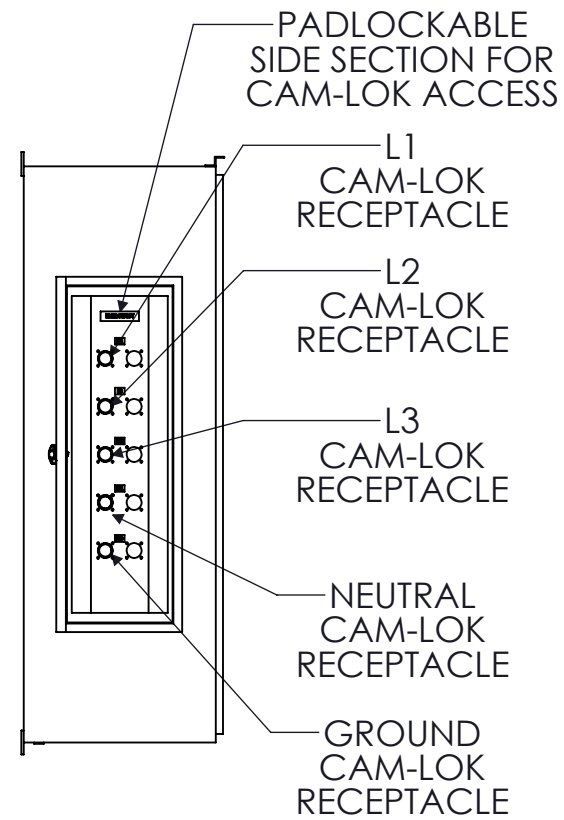


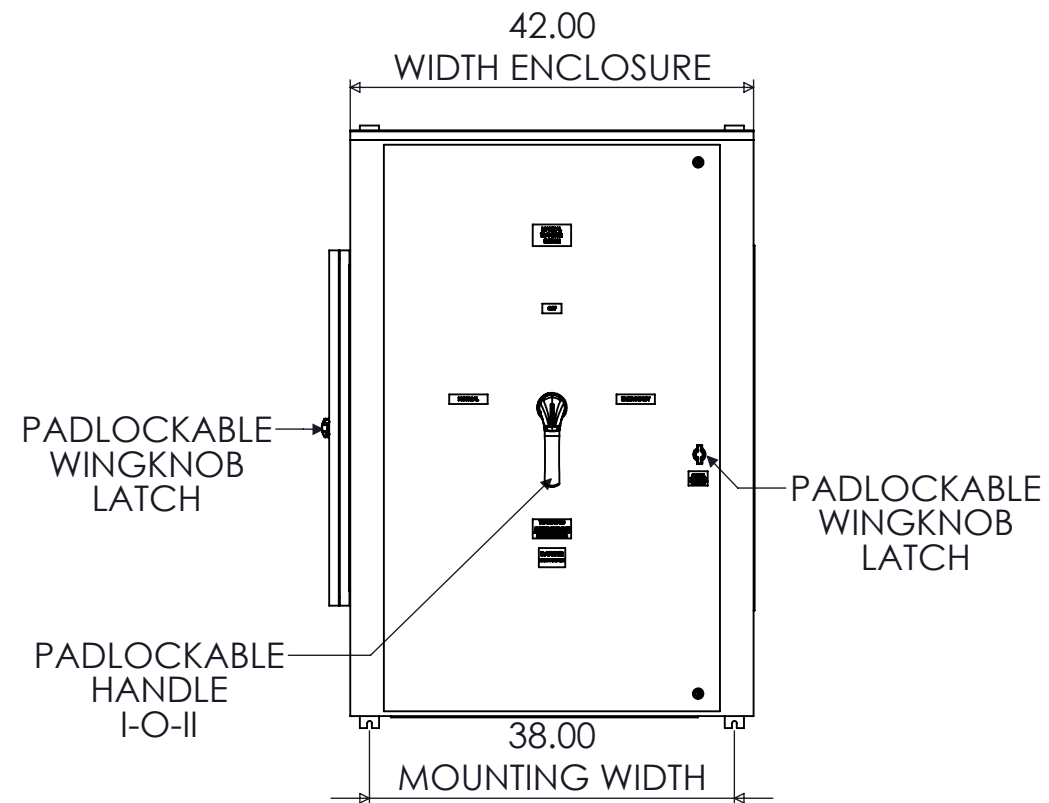
TOP VIEW

**SPECIFICATIONS**

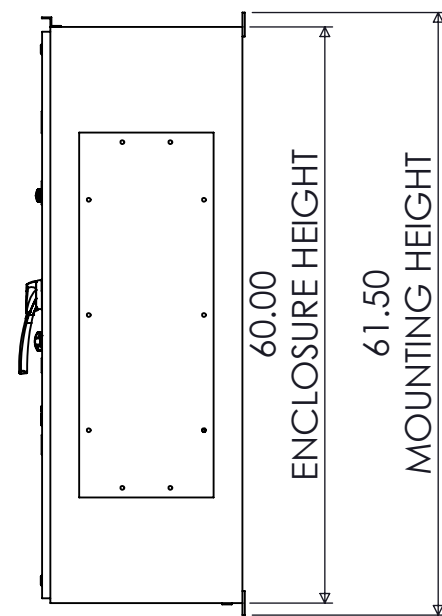
MAX VOLTAGE - 600VAC 3 $\phi$   
 RATED CURRENT - 400 A  
 STANDARDS - UL508A  
 ENCLOSURE RATING - NEMA 3R  
 REF. ES100145SE  
 DURABILITY - 6050 CYCLES  
 COLOR - RAL7035 LIGHT COLOR  
 EST SHIPPING WEIGHT - 450LBS



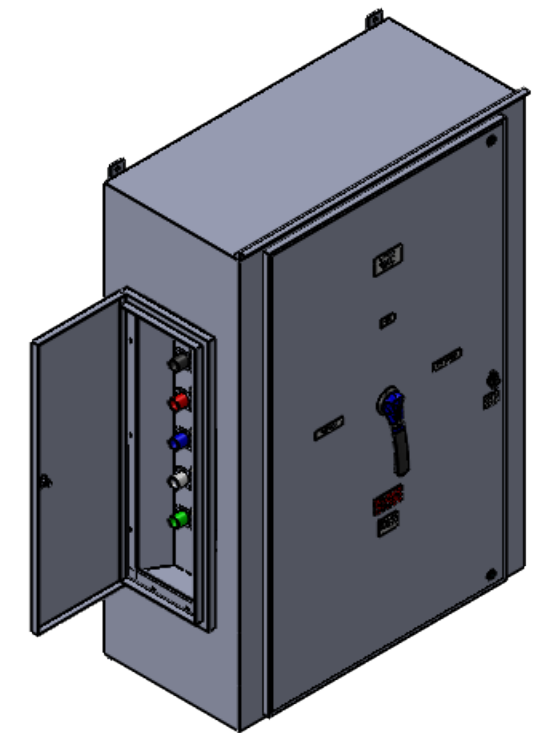
SIDE VIEW



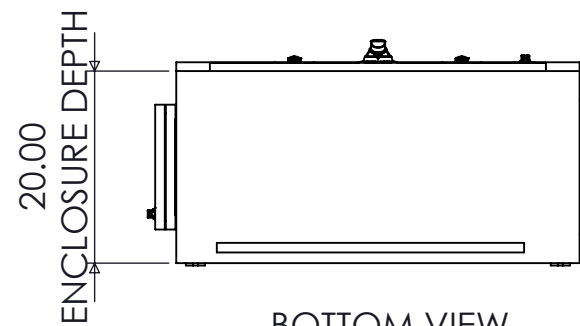
FRONT VIEW



SIDE VIEW



DIMETRIC VIEW




BOTTOM VIEW

**RECEPTACLE/COVER COLOR SCHEME**

	L1	L2	L3	N	GND
240VAC	BLK	RED	BLU	WHT	GRN
480VAC	BRN	ORG	YEL	WHT	GRN
600VAC	BLK	BLK	BLK	WHT	GRN

400A SE-RATED 4-POLE NEMA 3R MANUAL TRANSFER SWITCH WITH CAM-LOKS (LEFT)			
REV	DESCRIPTION	DATE	DRAWN / JG
0	ORIGINAL RELEASE	1/22/18	CHECKED
			SUP. NO
			SUP. BY NO
			PANEL NO
			BUIL. NO
			GROUP NO
			ORDER NO

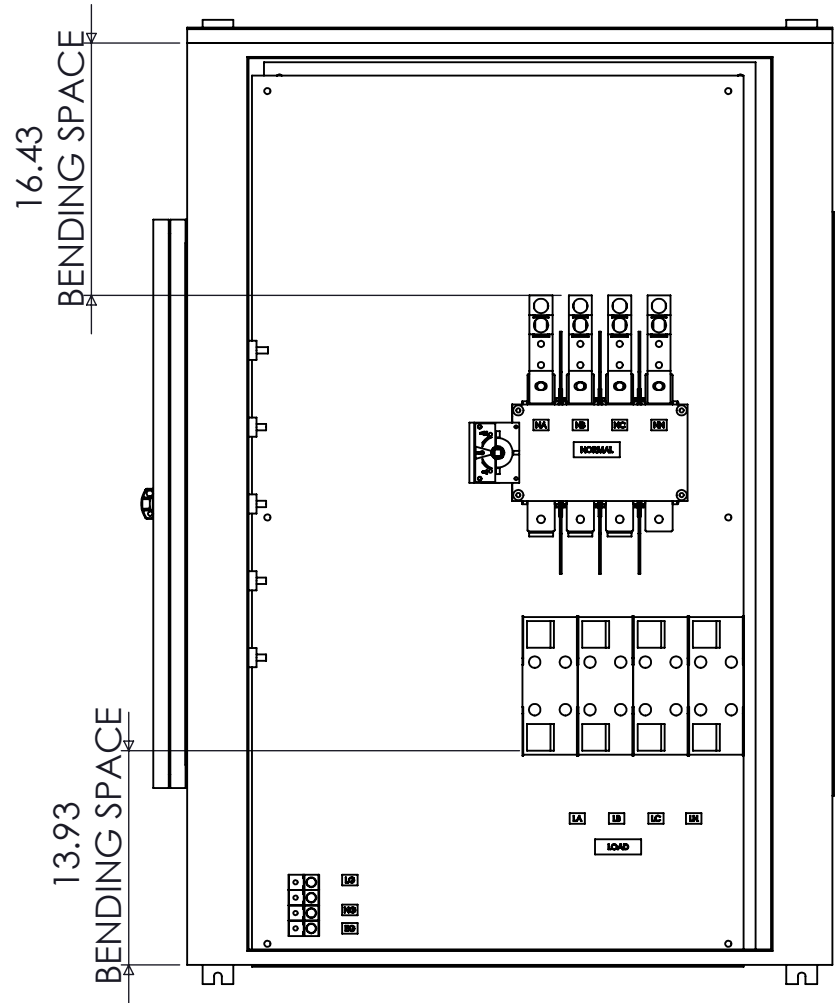


9900 TWIN LAKES PARKWAY  
 CHARLOTTE, NC 28269  
 704-596-5617  
 PSICONTROLSOLUTIONS.COM

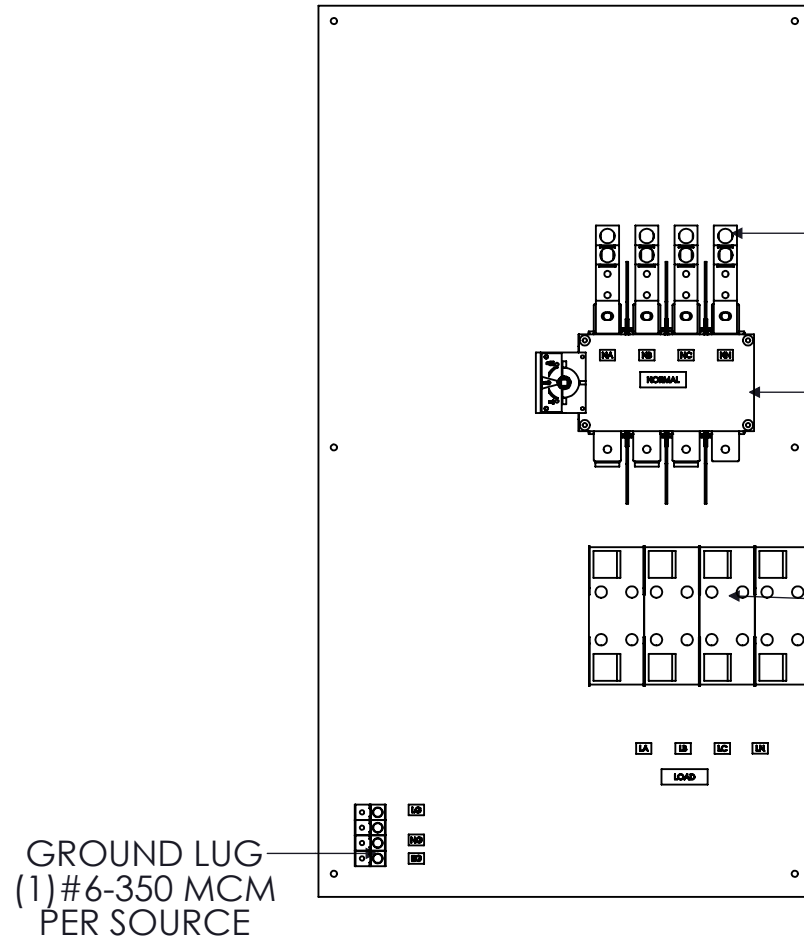
DRAWING TYPE  
**DIMENSIONAL**

DRAWING NUMBER  
**STS400N3RSE4CL**

SHEET 1 OF 2



FRONT VIEW  
DOOR REMOVED



FRONT VIEW  
ENCLOSURE REMOVED

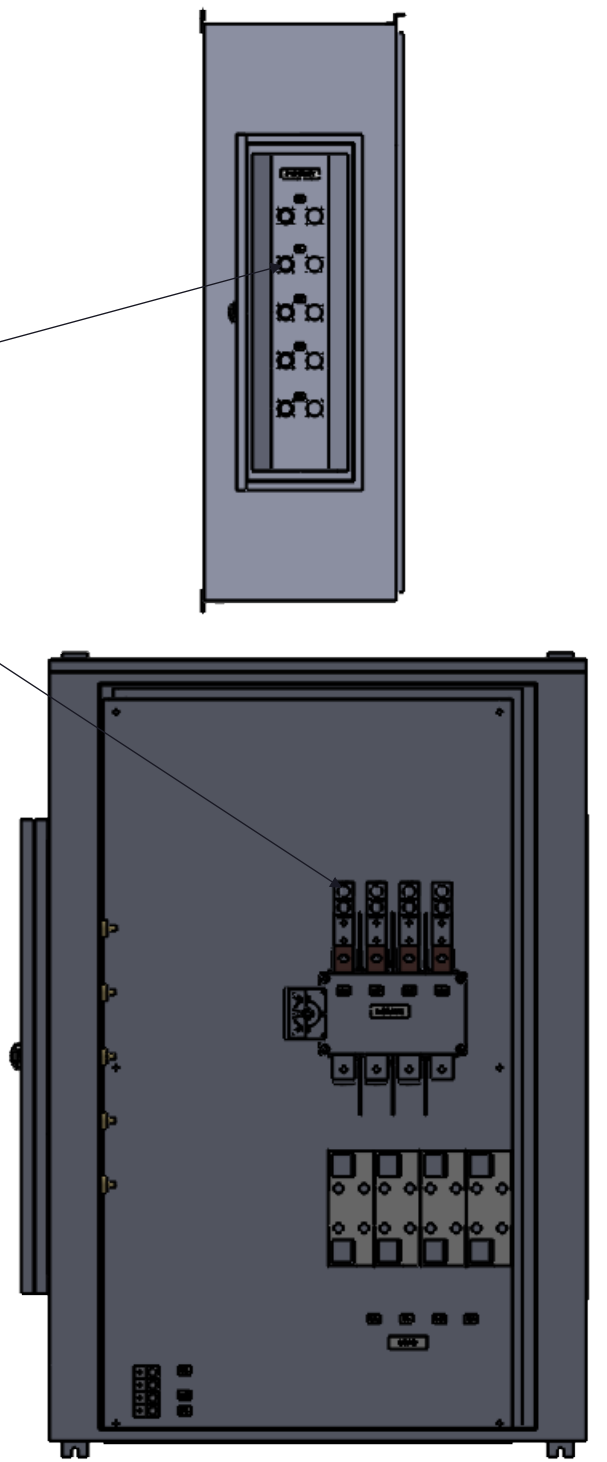
"EMERGENCY  
CONNECTION"  
(CAM-LOKS)

"NORMAL  
CONNECTION"  
(FRONT)

LINE LUGS  
(2) #2-600 MCM  
PER PHASE


400A MANUAL  
TRANSFER SWITCH  
I-O-II

FUSEBLOCK  
(1) 250-1000 MCM  
(OPTIONAL)  
(2) #4-350MCM  
CONNECTION  
AVAILABLE



FRONT VIEW  
DOOR REMOVED

NOTE: FUSES PROVIDED IF PURCHASED  
208-240VAC : FRN-R-400  
480-600VAC : LPJ-400SP



9900 TWIN LAKES PARKWAY  
CHARLOTTE, NC 28269  
704-596-5617  
PSICONTROLSOLUTIONS.COM

400A SE-RATED 4-POLE NEMA 3R MANUAL TRANSFER SWITCH WITH CAM-LOKS (LEFT)				
REV	DESCRIPTION	DATE	DRAWN	JG
0	ORIGINAL RELEASE	1/22/17	CHECKED	
			SUP. NO	
			SUP. BY NO	
			PANEL NO	
			BUL. NO	
			GROUP NO	
			ORDER NO	

DRAWING TYPE	OUTLINE
DRAWING NUMBER	STS400N3RSE4CL