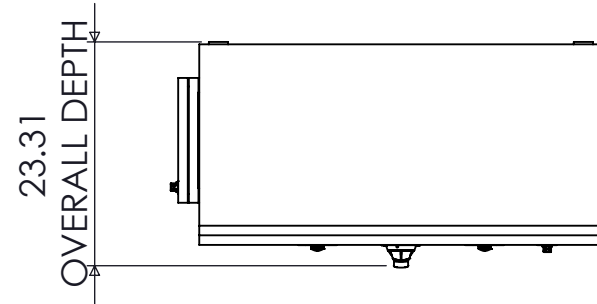
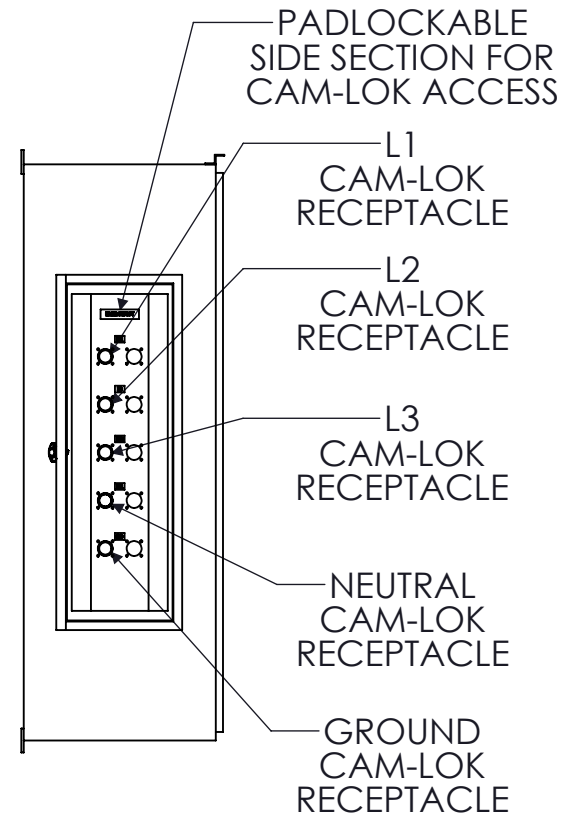


**SPECIFICATIONS**

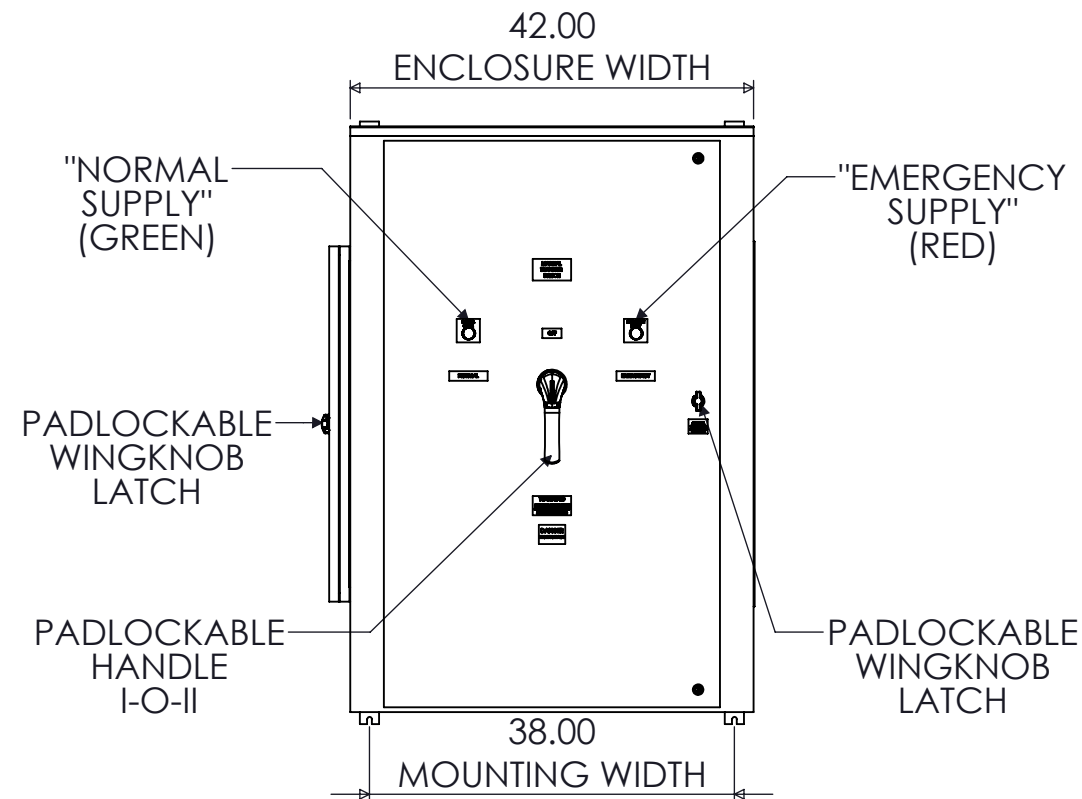
MAX VOLTAGE - 600VAC 3  $\phi$   
 RATED CURRENT - 400 A  
 STANDARDS - UL508A  
 ENCLOSURE RATING - NEMA 3R  
 REF. ES100145NF  
 DURABILITY - 6050 CYCLES  
 COLOR - RAL7035 LIGHT COLOR  
 EST SHIPPING WEIGHT - 425LBS



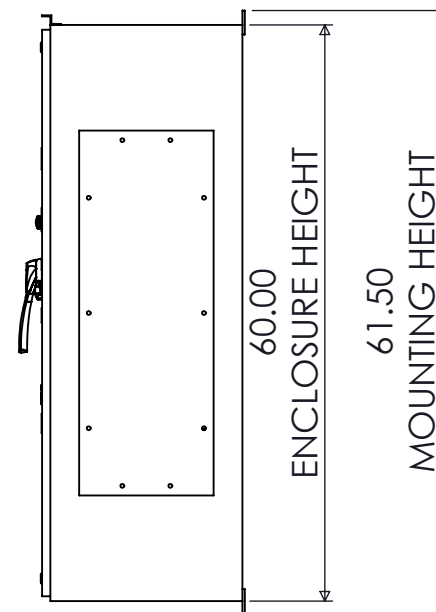
TOP VIEW



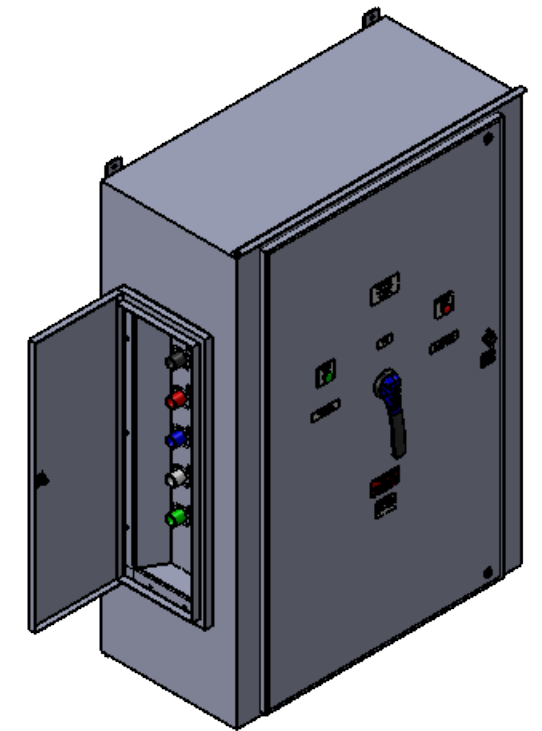
SIDE VIEW



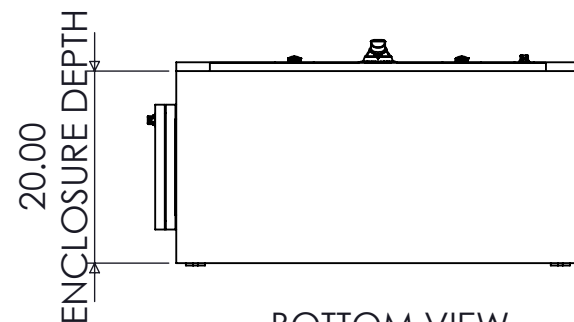
FRONT VIEW



SIDE VIEW



DIMETRIC VIEW




BOTTOM VIEW

**RECEPTACLE/COVER COLOR SCHEME**

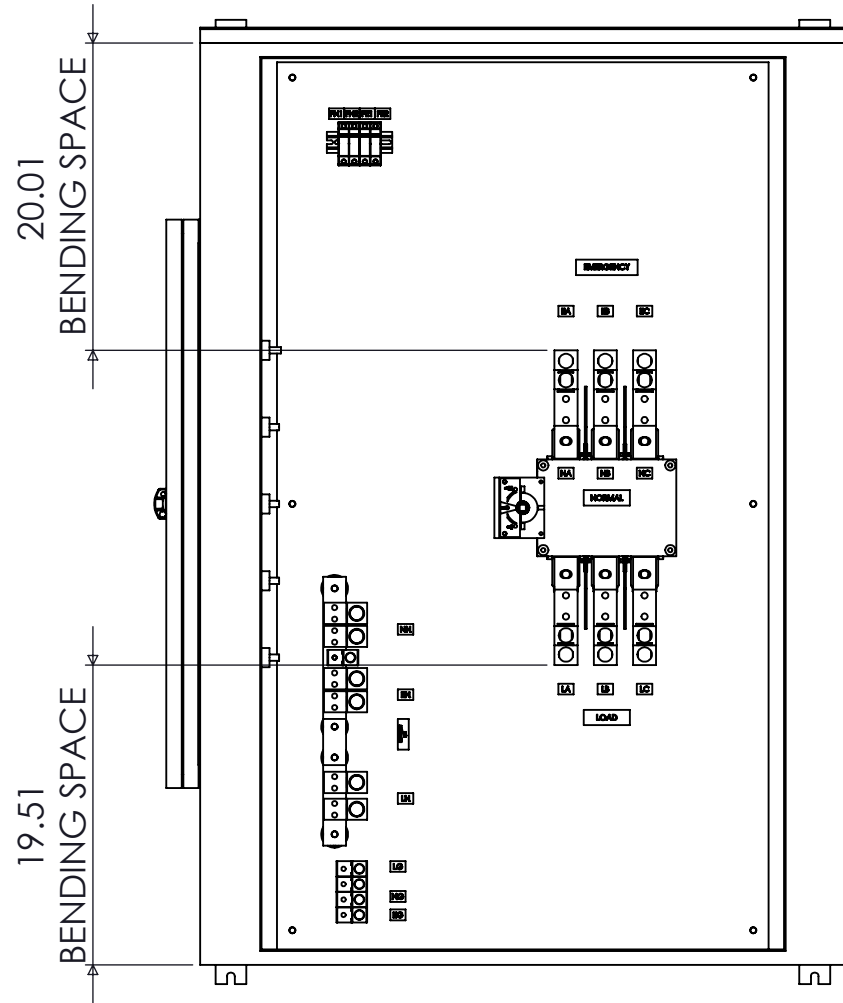
	L1	L2	L3	N	GND
240VAC	BLK	RED	BLU	WHT	GRN
480VAC	BRN	ORG	YEL	WHT	GRN
600VAC	BLK	BLK	BLK	WHT	GRN

**400A NON-FUSED 3-POLE NEMA 3R MANUAL TRANSFER SWITCH WITH CAM-LOKS (LEFT)**

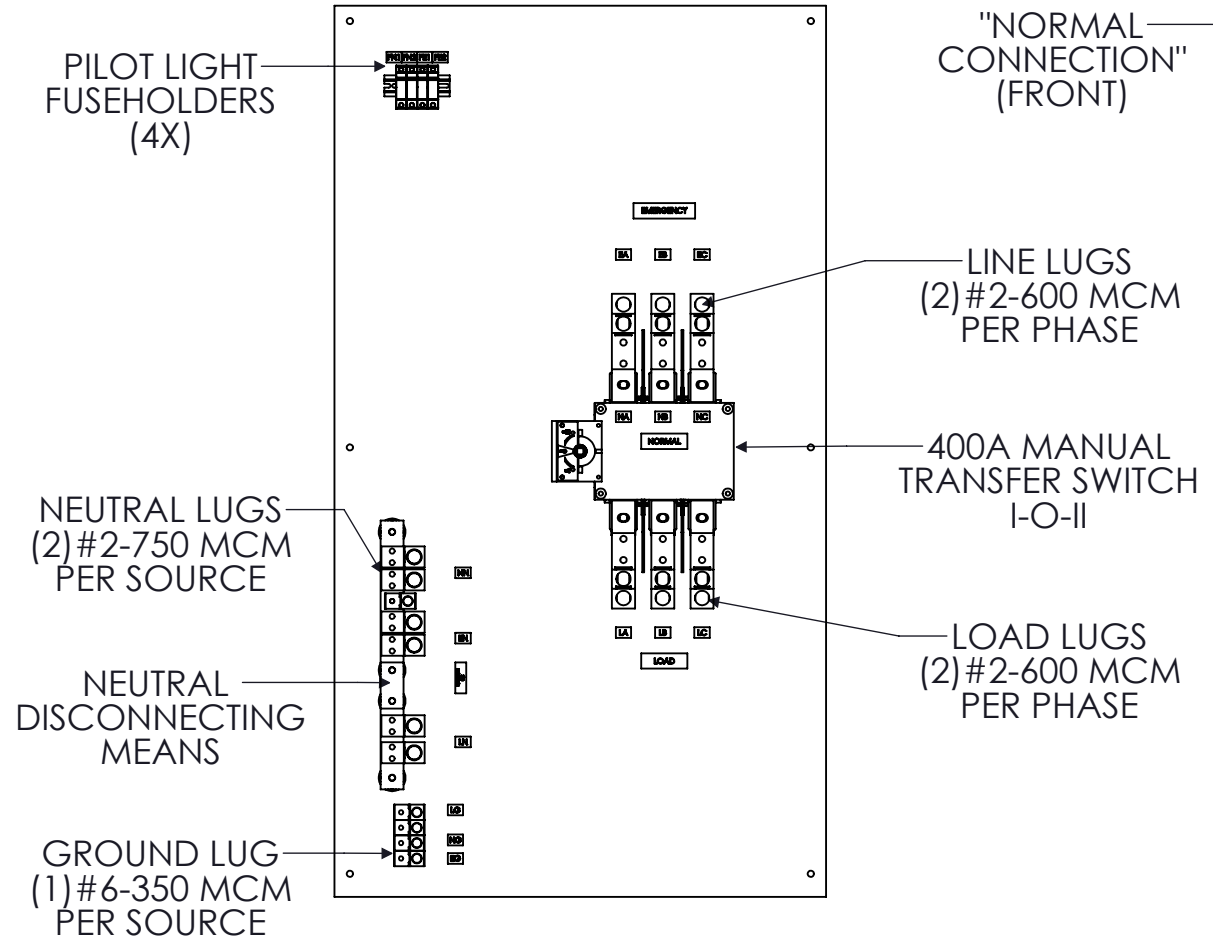
REV	DESCRIPTION	DATE	DRAWN	J.GONZALEZ
0	ORIGINAL RELEASE	1/5/17	CHECKED	
			SUP. NO	DRAWING TYPE
			SUP. BY NO	DIMENSIONAL
			PANEL NO	DRAWING NUMBER
			BUIL. NO	STS400N3RNF3CL
			GROUP NO	
			ORDER NO	



9900 TWIN LAKES PARKWAY  
 CHARLOTTE, NC 28269  
 704-596-5617  
 PSICONTROLSOLUTIONS.COM



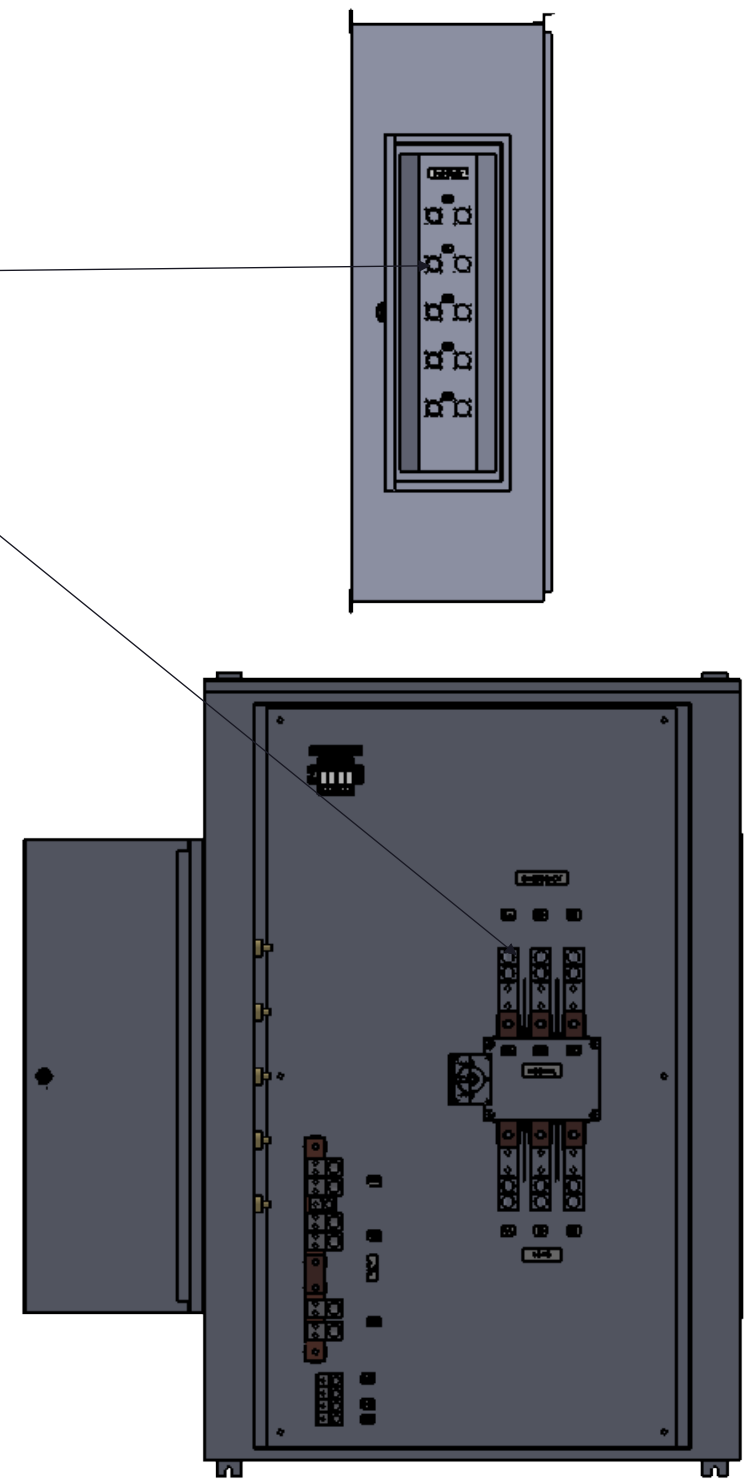
FRONT VIEW  
DOOR REMOVED




FRONT VIEW  
ENCLOSURE REMOVED

"EMERGENCY  
CONNECTION"  
(CAM-LOKS)

"NORMAL  
CONNECTION"  
(FRONT)



FRONT VIEW  
DOOR REMOVED


 9900 TWIN LAKES PARKWAY  
 CHARLOTTE, NC 28269  
 704-596-5617  
 PSICONTROLSOLUTIONS.COM

400A NON-FUSED 3-POLE NEMA 3R MANUAL TRANSFER SWITCH WITH CAM-LOKS (LEFT)					
REV	DESCRIPTION	DATE	DRAWN	J.GONZALEZ	
0	ORIGINAL RELEASE	1/5/17	CHECKED		
			SUP. NO	DRAWING TYPE	
			SUP. BY NO	OUTLINE	
			PANEL NO	DRAWING NUMBER	
			BUL. NO	STS400N3RNF3CL	
			GROUP NO		
			ORDER NO		