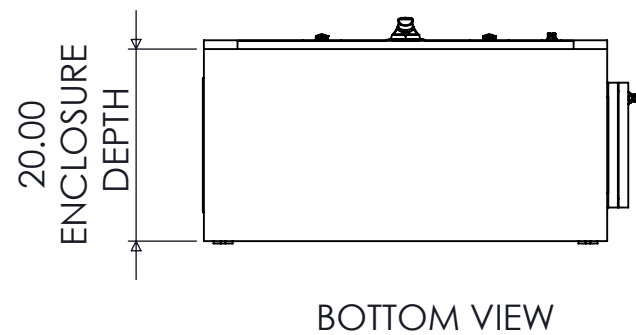
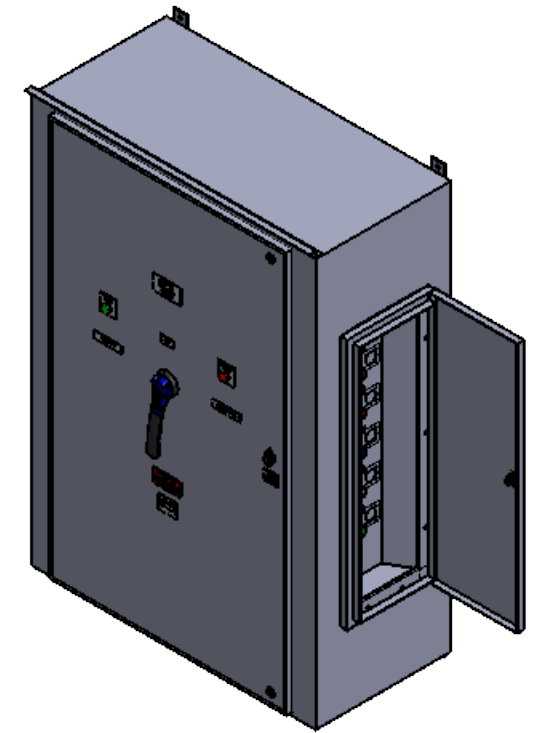
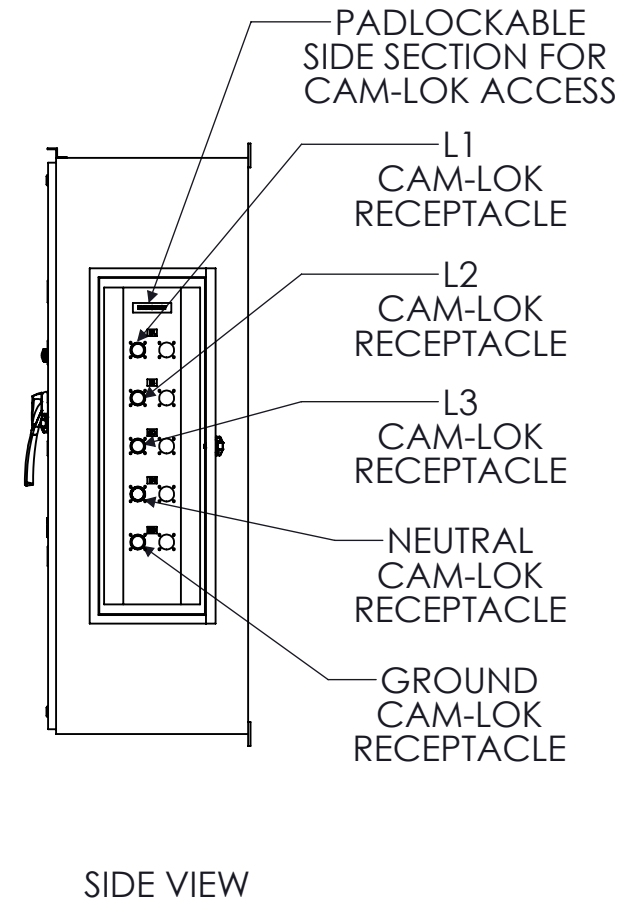
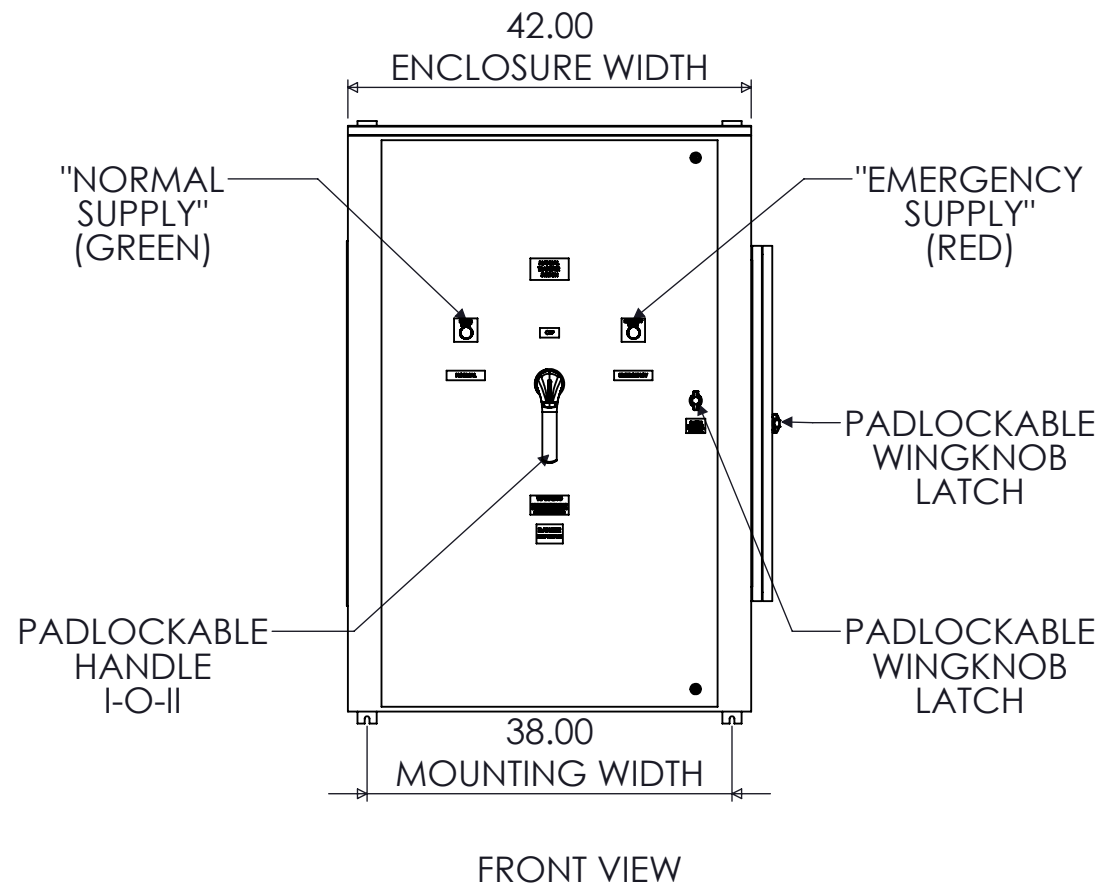
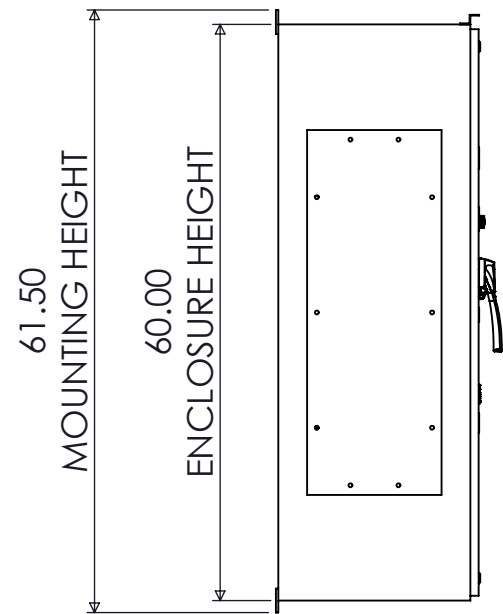
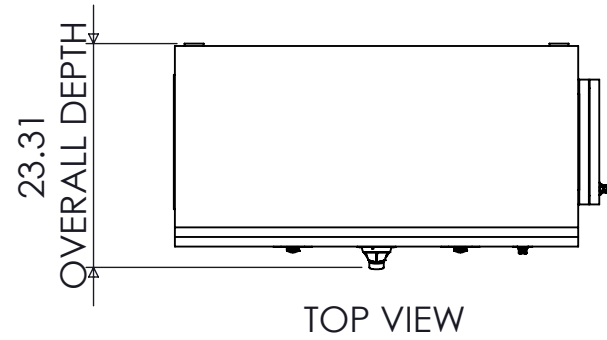


**SPECIFICATIONS**

MAX VOLTAGE - 600VAC 3 $\phi$   
 RATED CURRENT - 400 A  
 STANDARDS - UL508A  
 ENCLOSURE RATING - NEMA 3R  
 REF. ES100145BF  
 DURABILITY - 6050 CYCLES  
 COLOR - RAL7035 LIGHT COLOR  
 EST SHIPPING WEIGHT - 450LBS




**RECEPTACLE/COVER COLOR SCHEME**

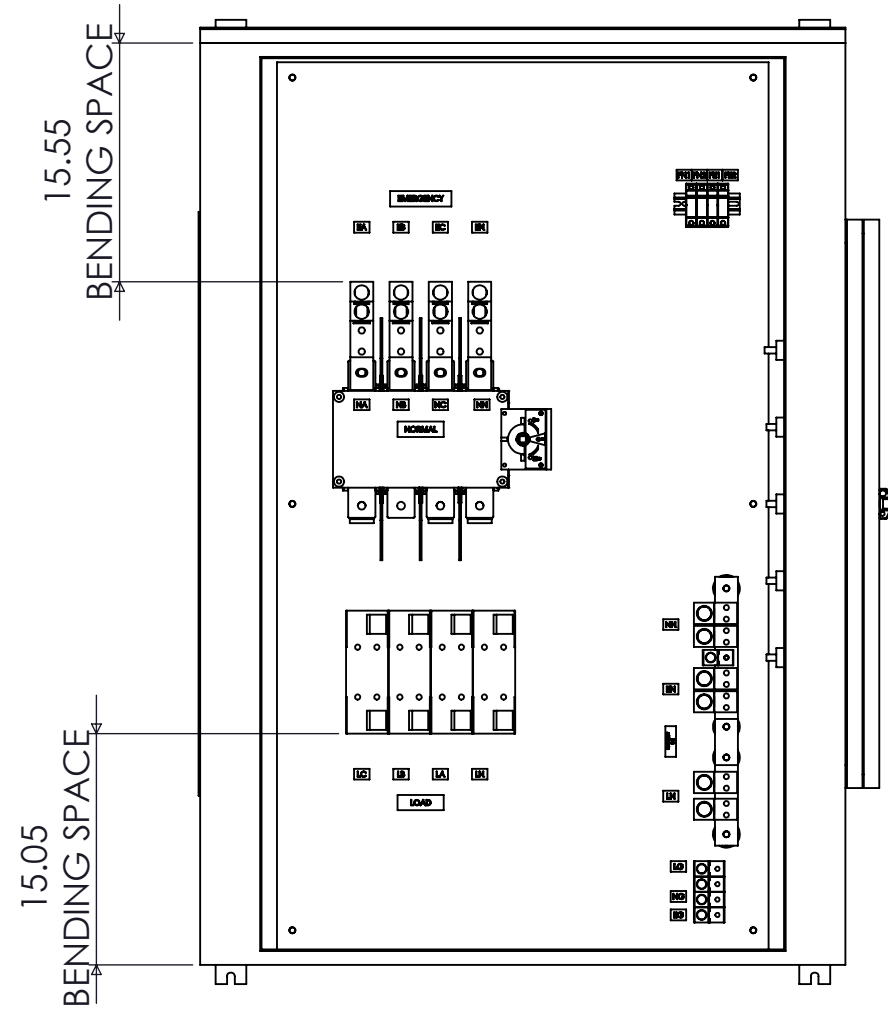
	L1	L2	L3	N	GND
240VAC	BLK	RED	BLU	WHT	GRN
480VAC	BRN	ORG	YEL	WHT	GRN
600VAC	BLK	BLK	BLK	WHT	GRN

**400A FUSIBLE 4-POLE NEMA 3R MANUAL TRANSFER SWITCH WITH CAM-LOKS (RIGHT)**

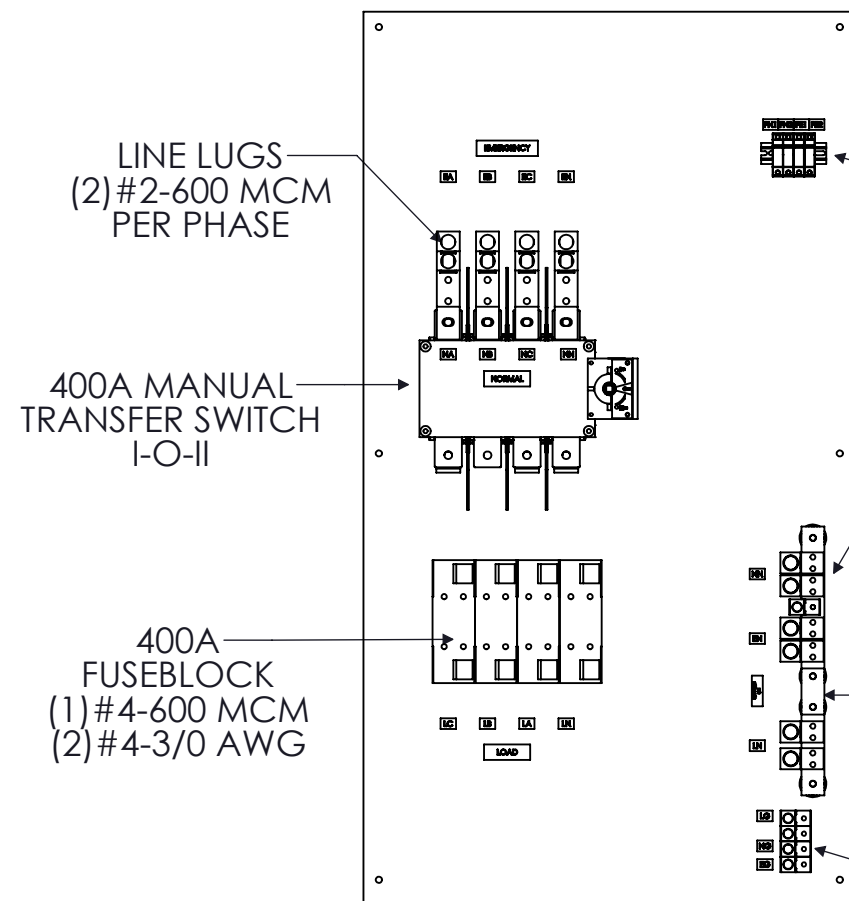
REV	DESCRIPTION	DATE	DRAWN	J.GONZALEZ
0	ORIGINAL RELEASE	1/5/17	CHECKED	
			SUP. NO	DRAWING TYPE
			SUP. BY NO	DIMENSIONAL
			PANEL NO	DRAWING NUMBER
			BUIL. NO	STS400N3RBF4CR
			GROUP NO	
			ORDER NO	



9900 TWIN LAKES PARKWAY  
 CHARLOTTE, NC 28269  
 704-596-5617  
 PSICONTROLSOLUTIONS.COM



FRONT VIEW  
DOOR REMOVED



FRONT VIEW  
ENCLOSURE REMOVED

"EMERGENCY  
CONNECTION"  
(CAM-LOKS)

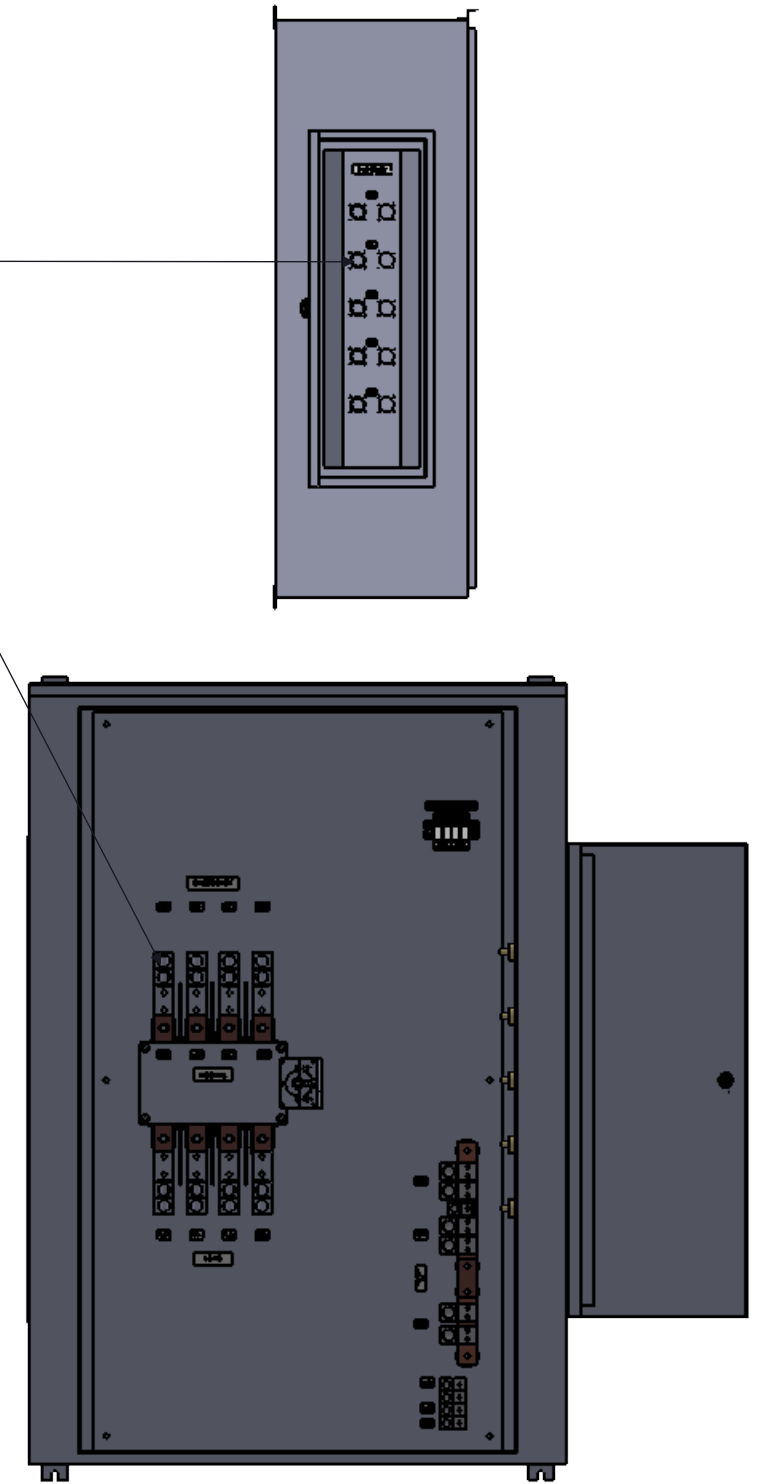
"NORMAL  
CONNECTION"  
(FRONT)

PILOT LIGHT  
FUSEHOLDERS  
(4X)

NEUTRAL LUGS  
(2) #2-750 MCM  
PER SOURCE


NEUTRAL  
DISCONNECTING  
MEANS

GROUND LUG  
(1) #6-350 MCM  
PER SOURCE



FRONT VIEW  
DOOR REMOVED

NOTE: FUSES PROVIDED IF PURCHASED  
208-240VAC : FRN-R-400  
480-600VAC : LPJ-400SP



9900 TWIN LAKES PARKWAY  
CHARLOTTE, NC 28269  
704-596-5617  
PSICONTROLSOLUTIONS.COM

400A FUSIBLE 4-POLE NEMA 3R MANUAL TRANSFER SWITCH WITH CAM-LOKS (RIGHT)

REV	DESCRIPTION	DATE	DRAWN	J.GONZALEZ
0	ORIGINAL RELEASE	1/5/17	CHECKED	
			SUP. NO	
			SUP. BY NO	
			PANEL NO	
			BUL. NO	
			GROUP NO	
			ORDER NO	

DRAWING TYPE  
**OUTLINE**  
DRAWING NUMBER  
**STS400N3RBF4CR**