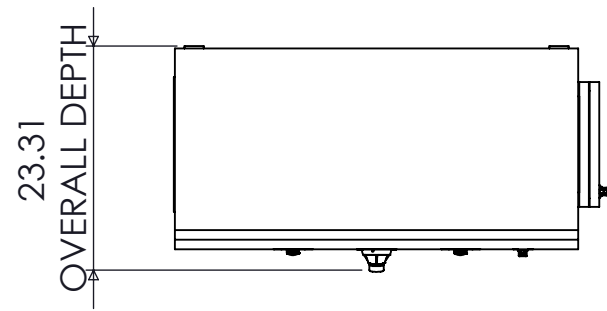
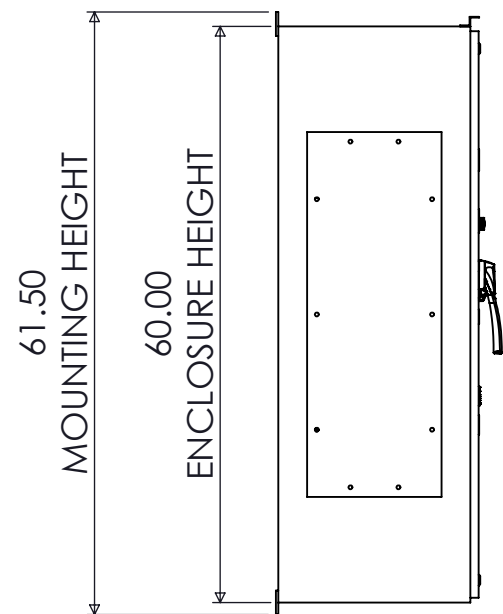


SPECIFICATIONS

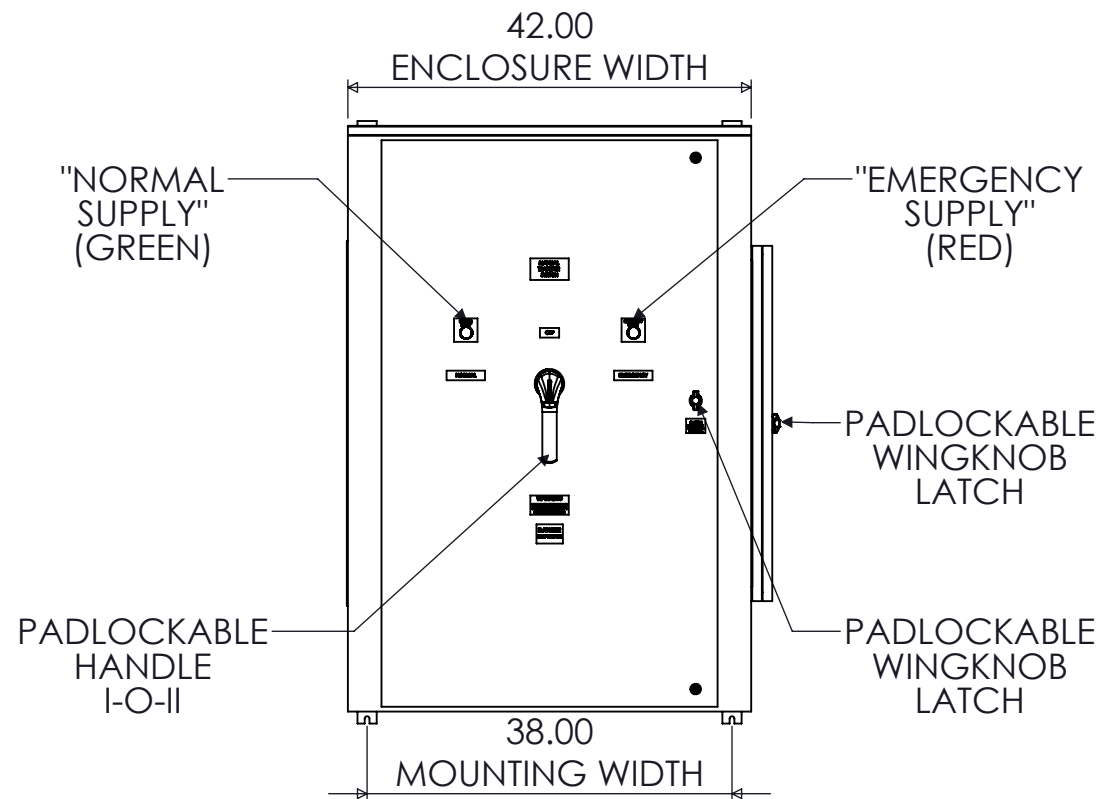
MAX VOLTAGE - 600VAC 3 ϕ
 RATED CURRENT - 400 A
 STANDARDS - UL508A
 ENCLOSURE RATING - NEMA 3R
 REF. ES100145BF
 DURABILITY - 6050 CYCLES
 COLOR - RAL7035 LIGHT COLOR
 EST SHIPPING WEIGHT - 450LBS



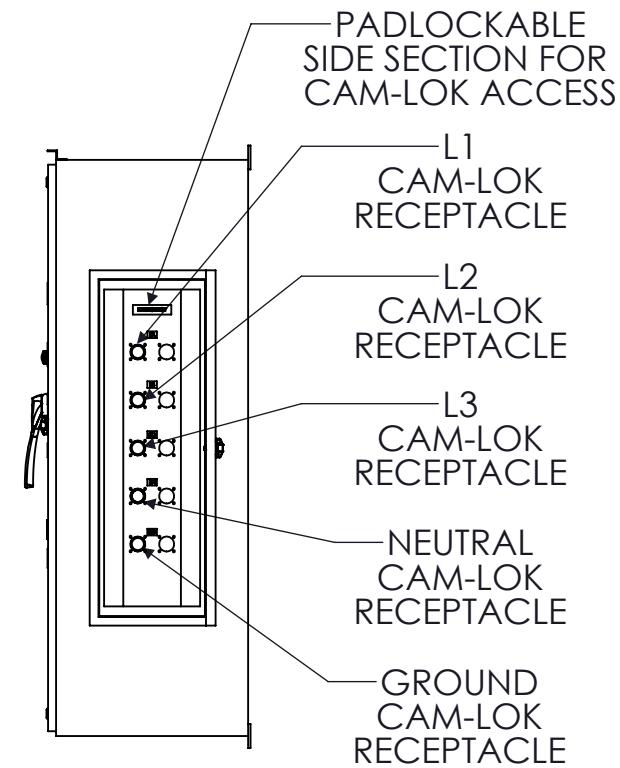
TOP VIEW



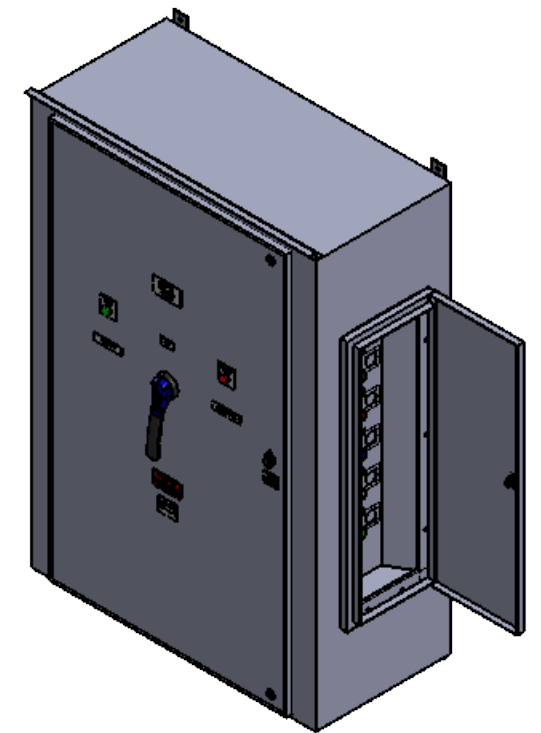
SIDE VIEW



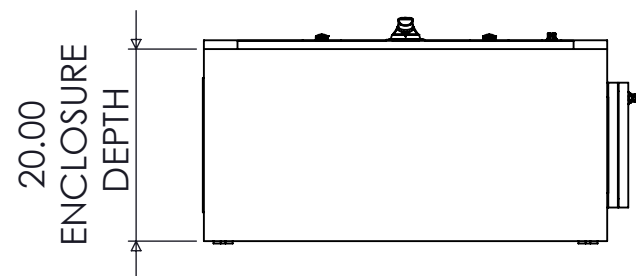
FRONT VIEW



SIDE VIEW



DIMETRIC VIEW



BOTTOM VIEW

RECEPTACLE/COVER COLOR SCHEME

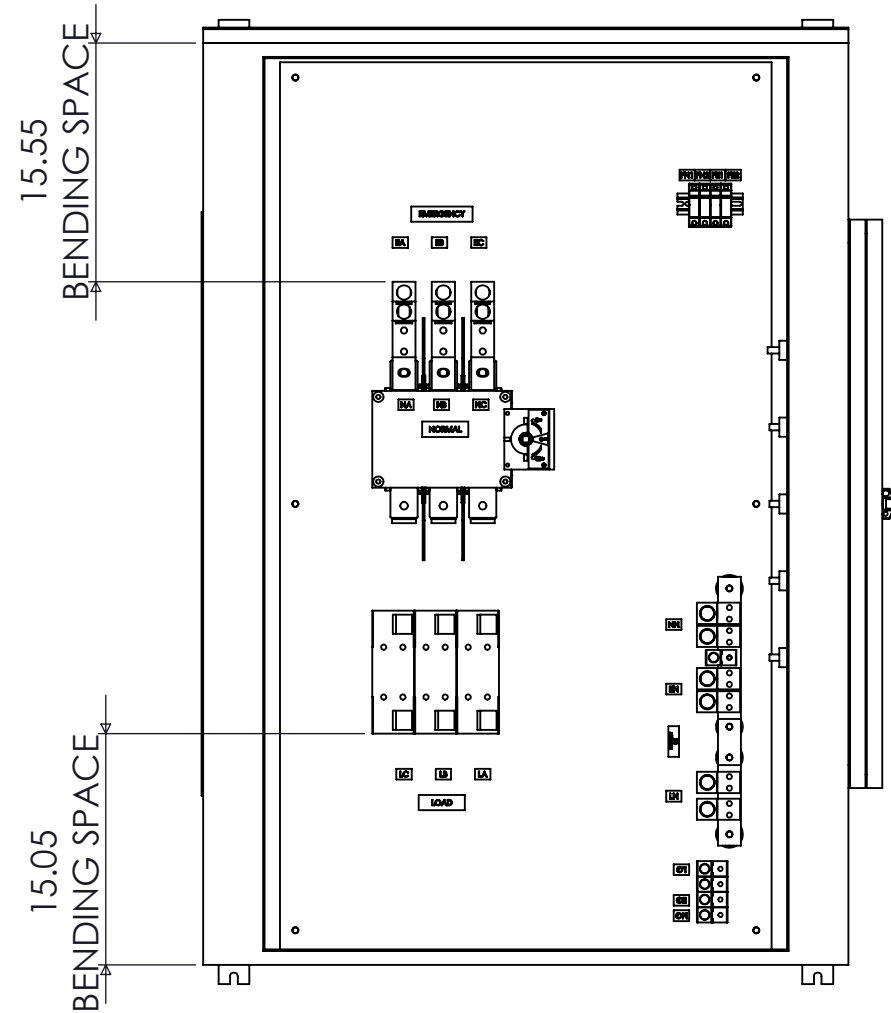
	L1	L2	L3	N	GND
240VAC	BLK	RED	BLU	WHT	GRN
480VAC	BRN	ORG	YEL	WHT	GRN
600VAC	BLK	BLK	BLK	WHT	GRN

400A FUSIBLE 3-POLE NEMA 3R MANUAL TRANSFER SWITCH WITH CAM-LOKS (RIGHT)

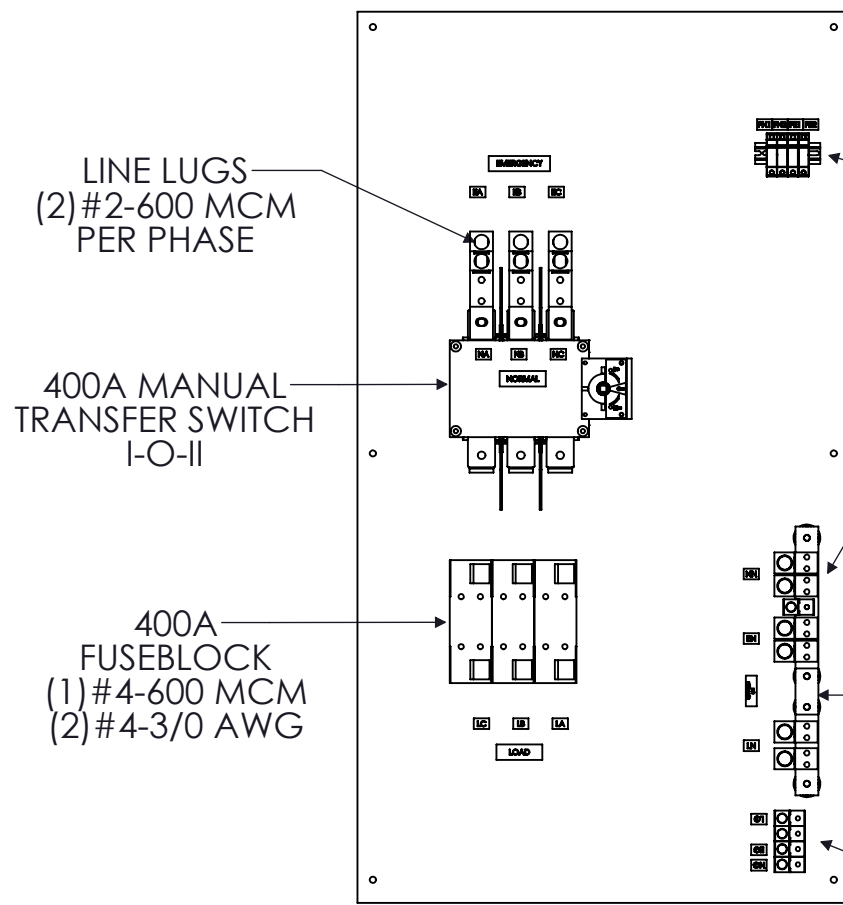
REV	DESCRIPTION	DATE	DRAWN	J.GONZALEZ
0	ORIGINAL RELEASE	1/5/17	CHECKED	
			SUP. NO	DRAWING TYPE
			SUP. BY NO	DIMENSIONAL
			PANEL NO	DRAWING NUMBER
			BUIL. NO	STS400N3RBF3CR
			GROUP NO	
			ORDER NO	



9900 TWIN LAKES PARKWAY
 CHARLOTTE, NC 28269
 704-596-5617
 PSICONTROLSOLUTIONS.COM



FRONT VIEW
DOOR REMOVED



FRONT VIEW
ENCLOSURE REMOVED

"EMERGENCY
CONNECTION"
(CAM-LOKS)

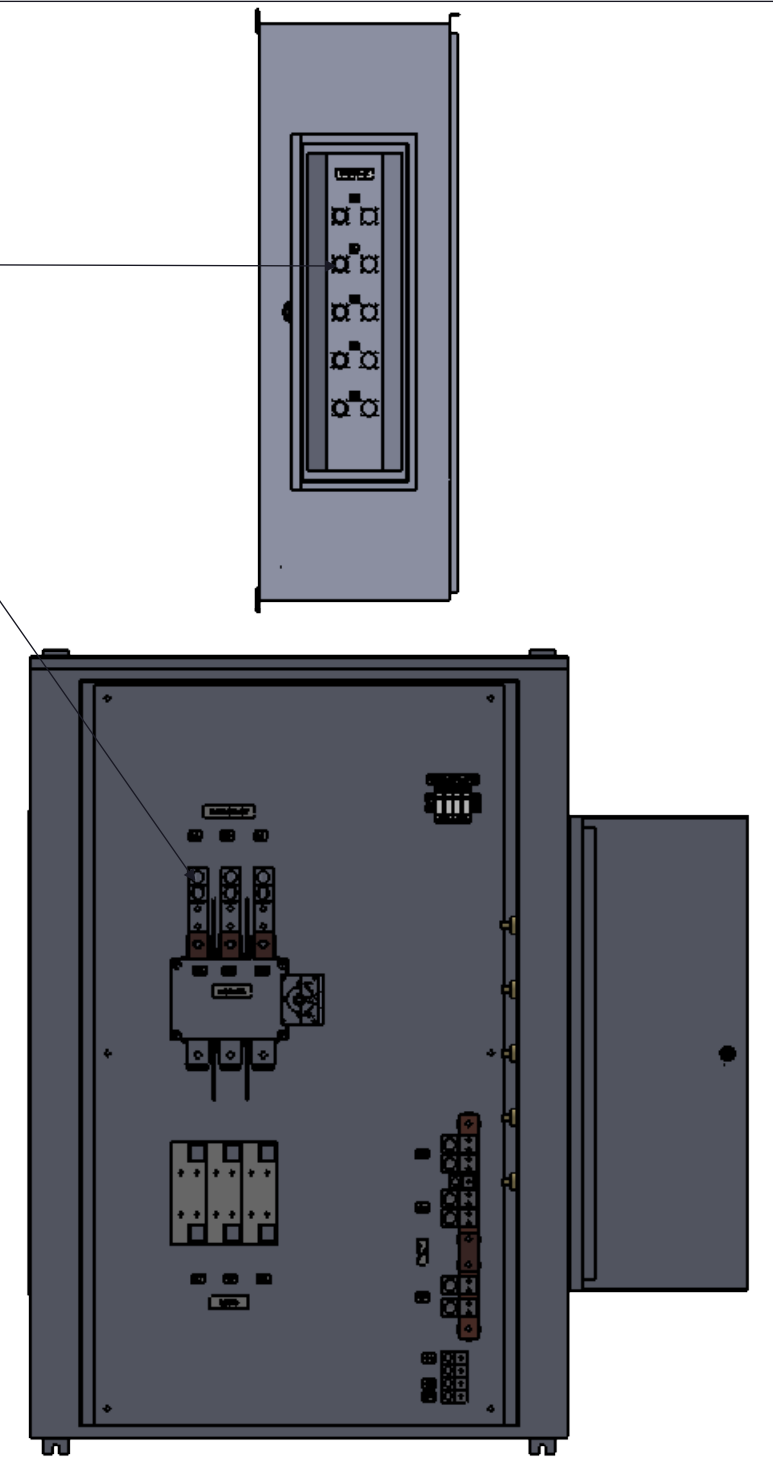
"NORMAL
CONNECTION"
(FRONT)

PILOT LIGHT
FUSEHOLDERS
(4X)

NEUTRAL LUGS
(2) #2-750 MCM
PER SOURCE


NEUTRAL
DISCONNECTING
MEANS

GROUND LUG
(1) #6-350 MCM
PER SOURCE



FRONT VIEW
DOOR REMOVED

NOTE: FUSES PROVIDED IF PURCHASED
208-240VAC : FRN-R-400
480-600VAC : LPJ-400SP



9900 TWIN LAKES PARKWAY
CHARLOTTE, NC 28269
704-596-5617
PSICONTROLSOLUTIONS.COM

400A FUSIBLE 3-POLE NEMA 3R MANUAL TRANSFER SWITCH WITH CAM-LOKS (RIGHT)				
REV	DESCRIPTION	DATE	DRAWN	J.GONZALEZ
0	ORIGINAL RELEASE	1/5/17	CHECKED	
			SUP. NO	
			SUP. BY NO	
			PANEL NO	
			BUL. NO	
			GROUP NO	
			ORDER NO	

DRAWING TYPE	OUTLINE
DRAWING NUMBER	STS400N3RBF3CR