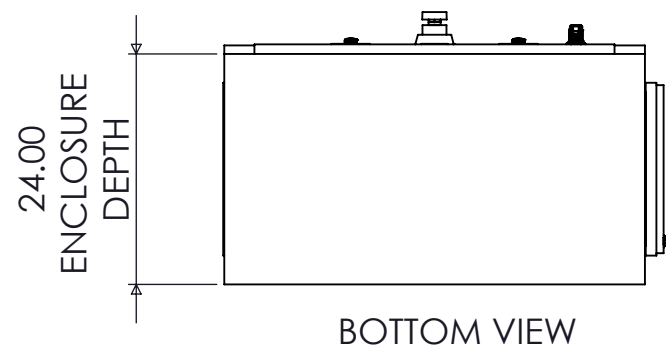
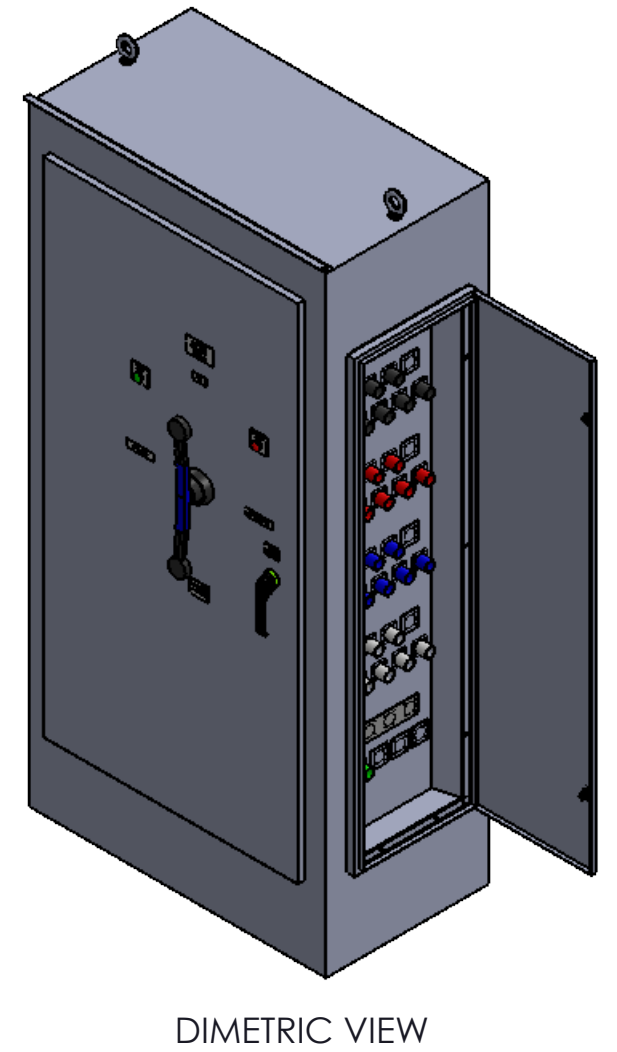
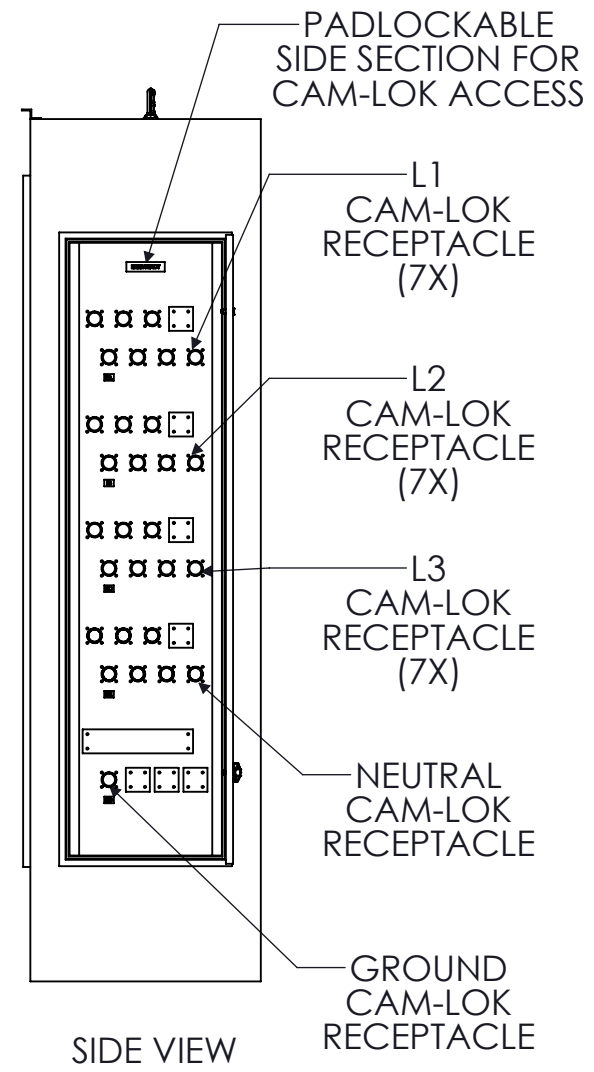
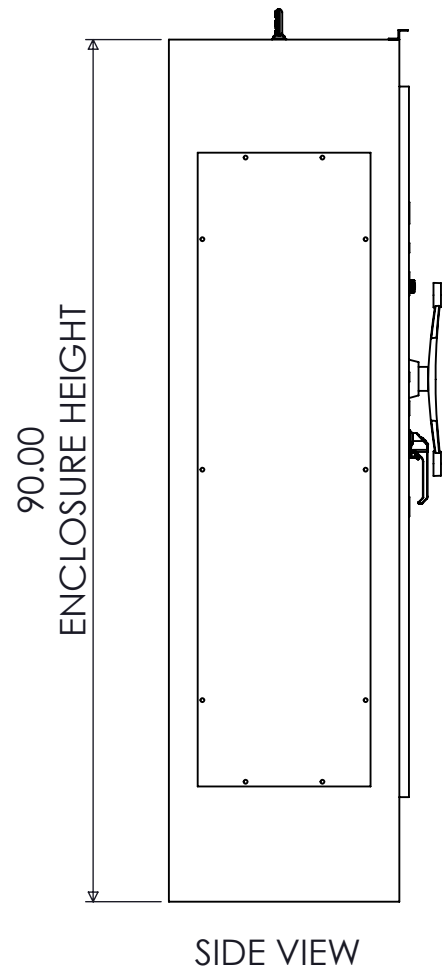
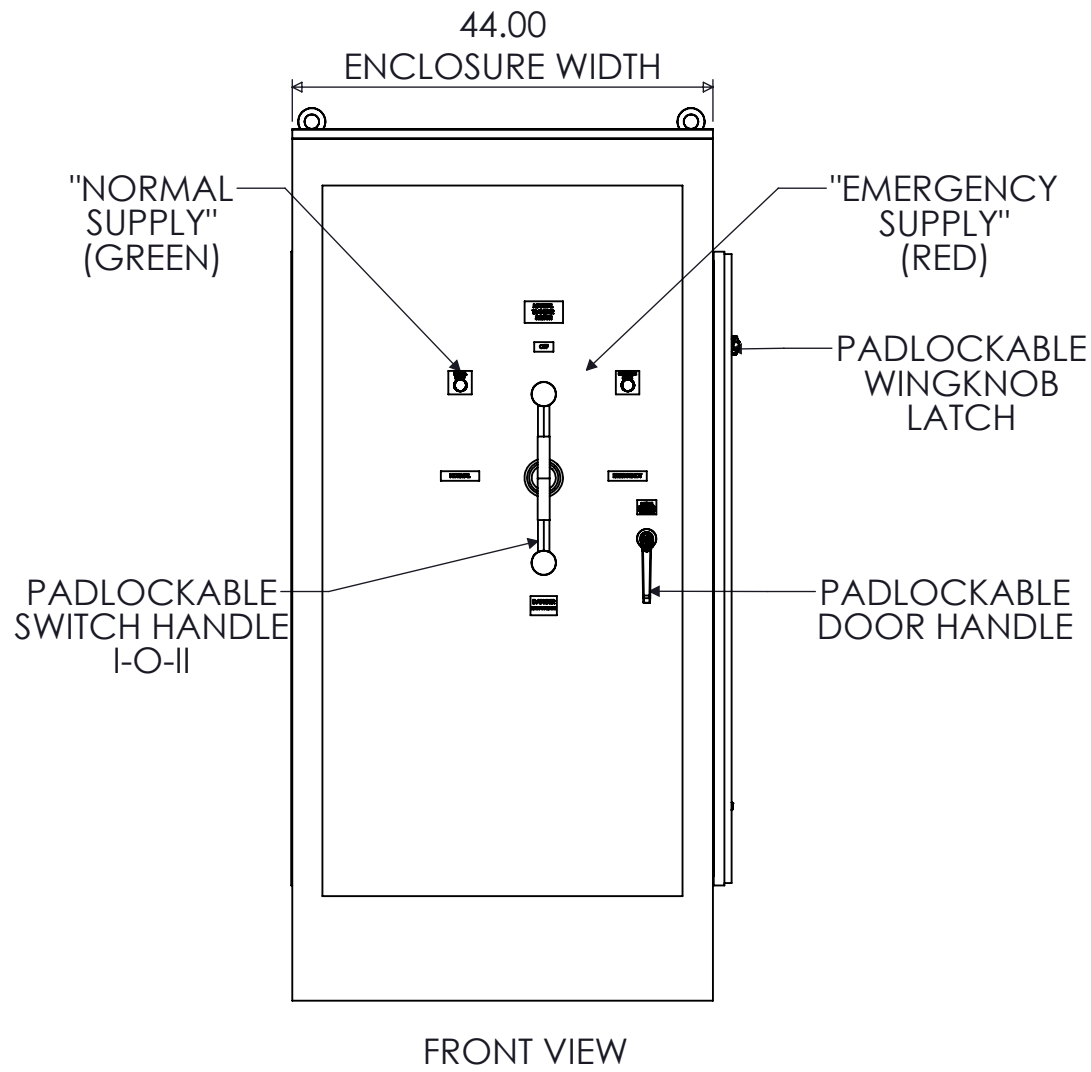
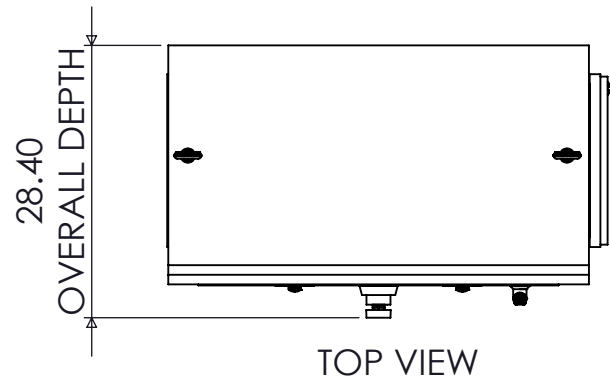


SPECIFICATIONS

MAX VOLTAGE - 480VAC 3 ϕ
 RATED CURRENT - 2500 A
 ENCLOSURE RATING - NEMA 3R
 REF. ES100145NF
 DURABILITY - 3000 CYCLES
 EST SHIPPING WEIGHT - 925LBS
 COLOR - RAL7035 LIGHT GREY

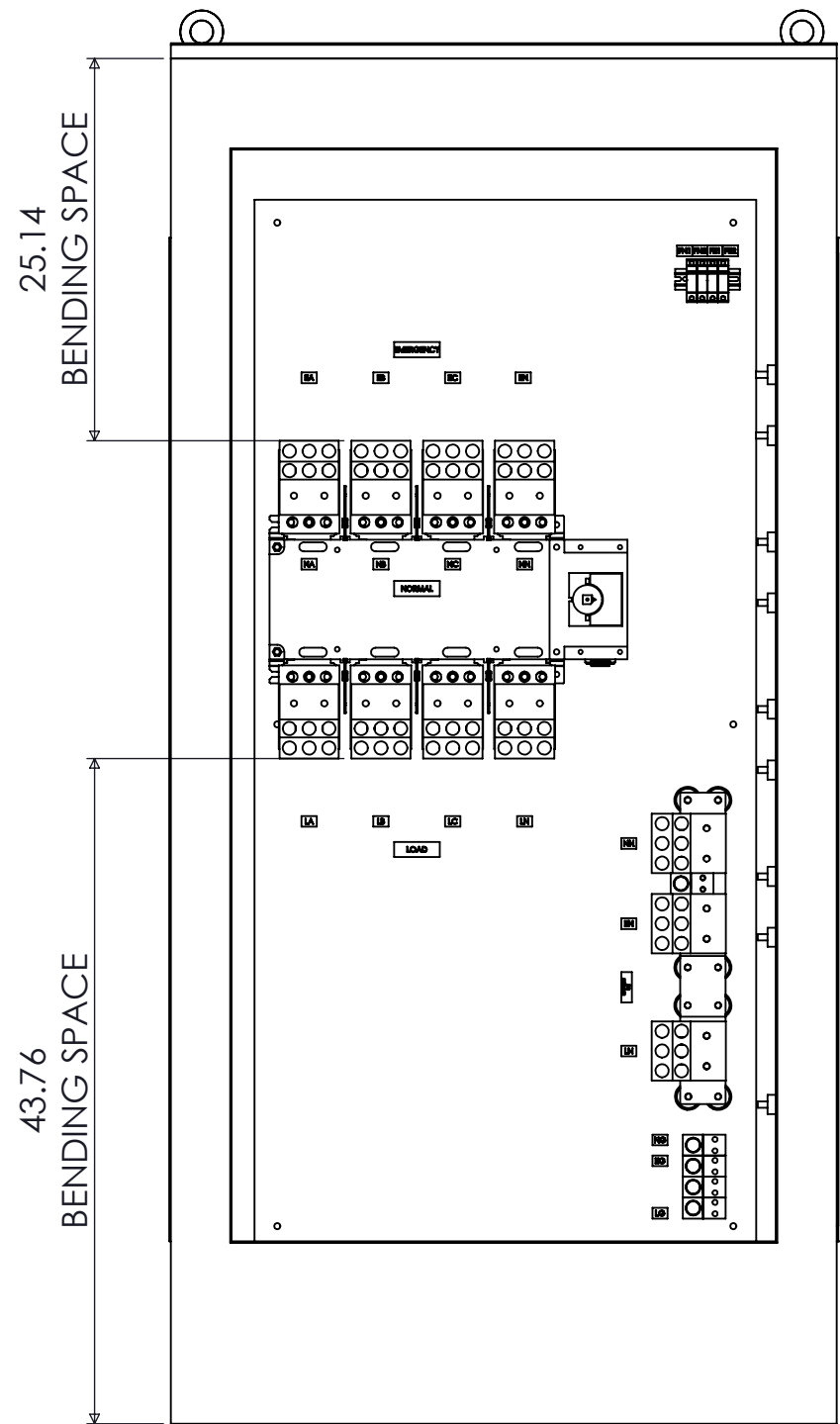


RECEPTACLE/COVER COLOR SCHEME

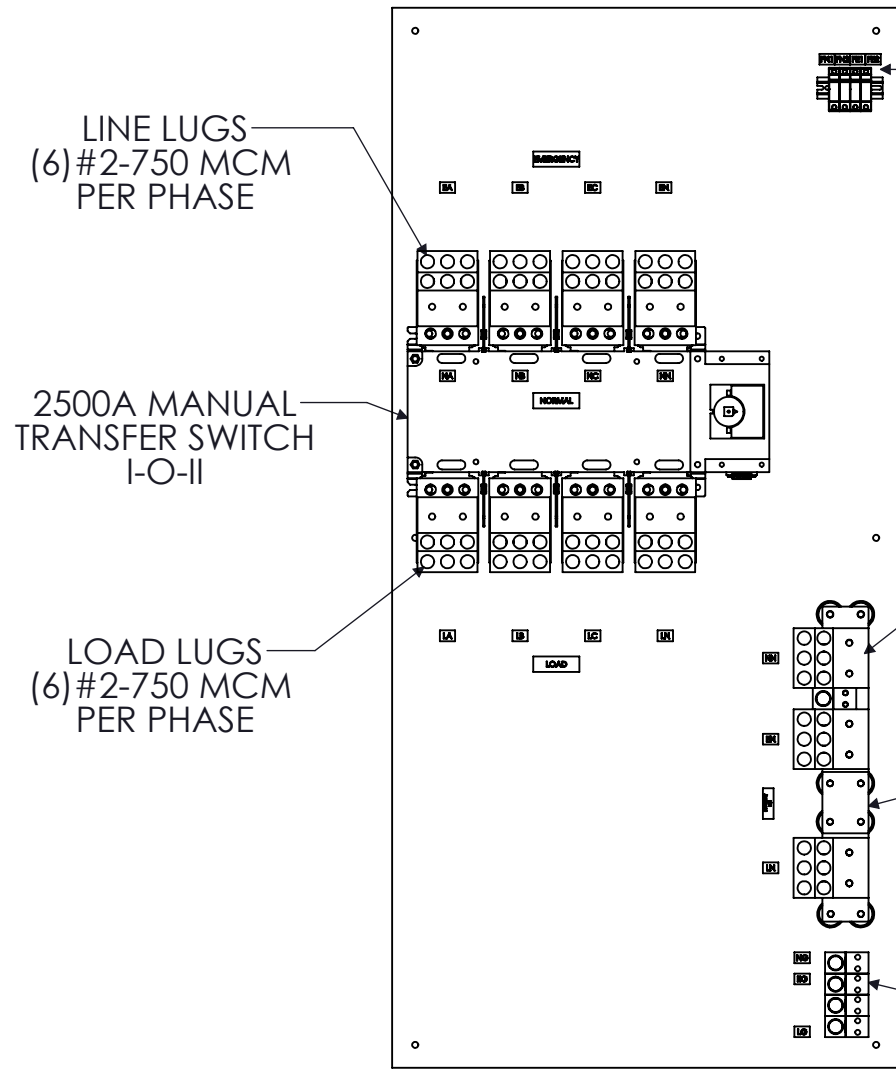
	L1	L2	L3	N	GND
240VAC	BLK	RED	BLU	WHT	GRN
480VAC	BRN	ORG	YEL	WHT	GRN
600VAC	BLK	BLK	BLK	WHT	GRN

2500A NON-FUSIBLE 4-POLE NEMA 3R MANUAL TRANSFER SWITCH WITH CAM-LOKS (RIGHT)					
REV	DESCRIPTION	DATE	DRAWN	J.GONZALEZ	
0	ORIGINAL RELEASE	1/17/17	CHECKED		
			SUP. NO	DRAWING TYPE	
			SUP. BY NO	DIMENSIONAL	
			PANEL NO	DRAWING NUMBER	
			BUIL. NO	STS2500N3RNF4CR	
			GROUP NO		
			ORDER NO		

9900 TWIN LAKES PARKWAY
 CHARLOTTE, NC 28269
 704-596-5617
 PSICONTROLSOLUTIONS.COM



FRONT VIEW
DOOR REMOVED



FRONT VIEW
ENCLOSURE REMOVED

"EMERGENCY
CONNECTIONS"
(CAM-LOKS)

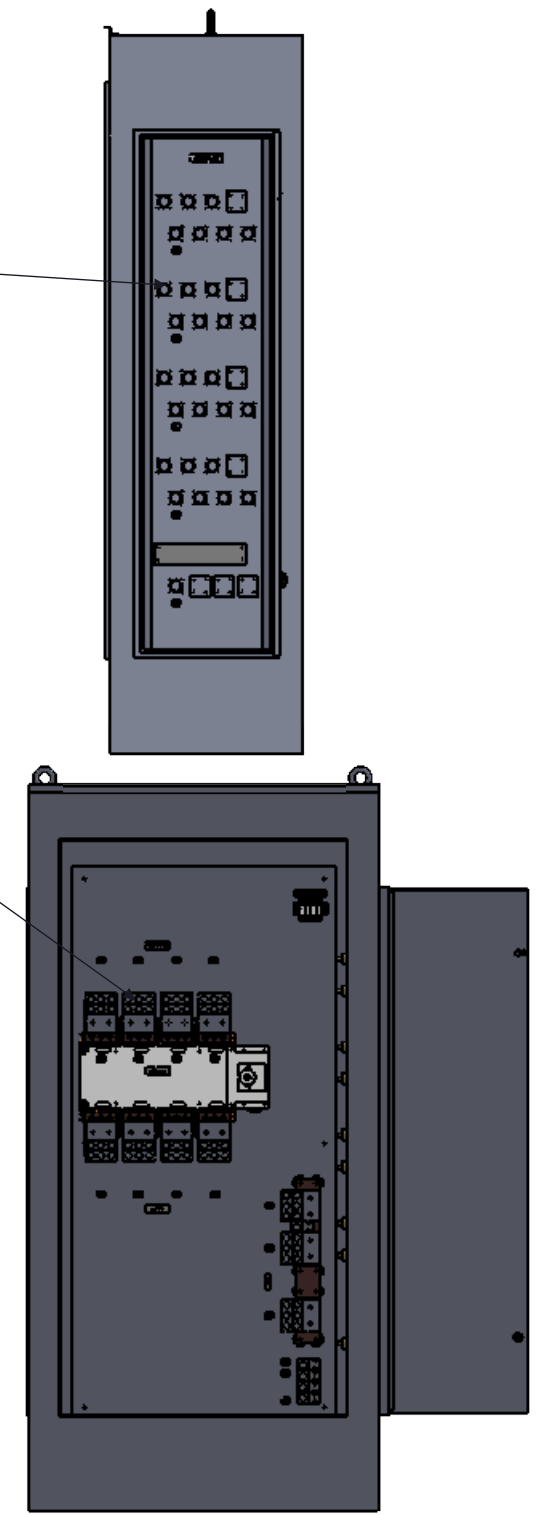
PILOT LIGHT
FUSEHOLDERS
(4X)

"NORMAL
CONNECTIONS"
(FRONT)

NEUTRAL LUGS
(6) #2-750 MCM
PER SOURCE

NEUTRAL
DISCONNECTING
MEANS

GROUND LUGS
(1) #2-750 MCM
PER SOURCE



FRONT VIEW
DOOR REMOVED

2500A NON-FUSIBLE 4-POLE NEMA 3R MANUAL TRANSFER SWITCH WITH CAM-LOKS (RIGHT)					
REV	DESCRIPTION	DATE	DRAWN	J.GONZALEZ	CHECKED
0	ORIGINAL RELEASE	1/30/17			
			SUP. NO		
			SUP. BY NO		
			PANEL NO		
			BUL. NO		
			GROUP NO		
			ORDER NO		
					DRAWING TYPE
					OUTLINE
					DRAWING NUMBER
					STS2500N3RNF4CR