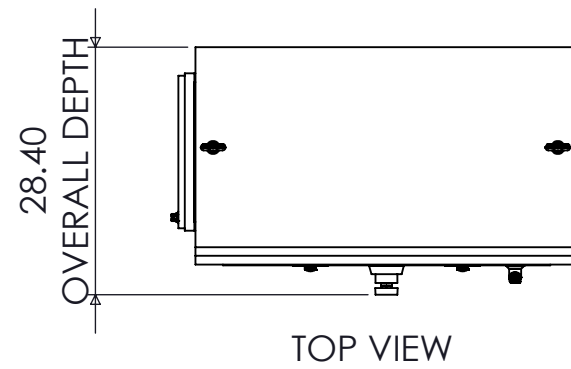
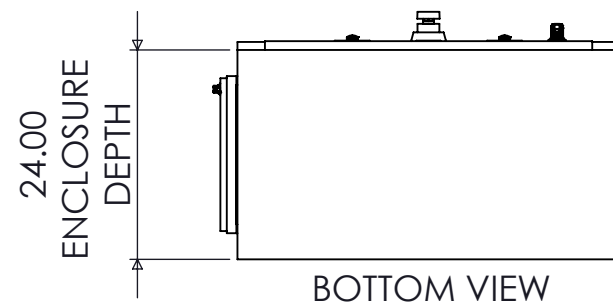
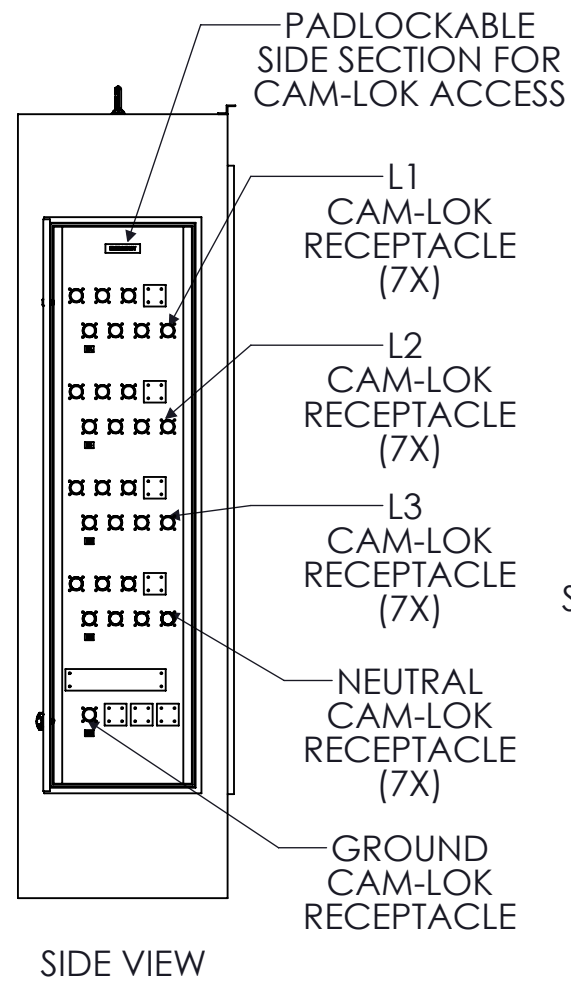
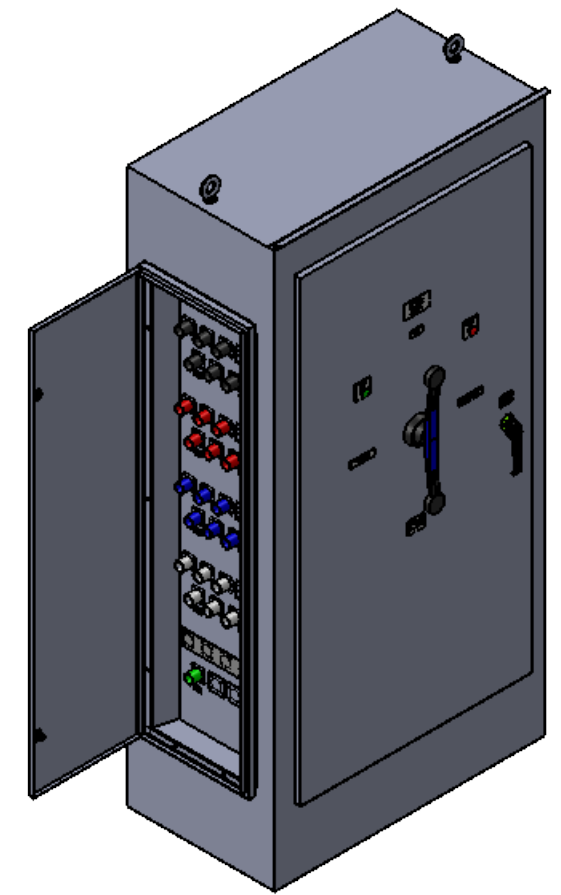
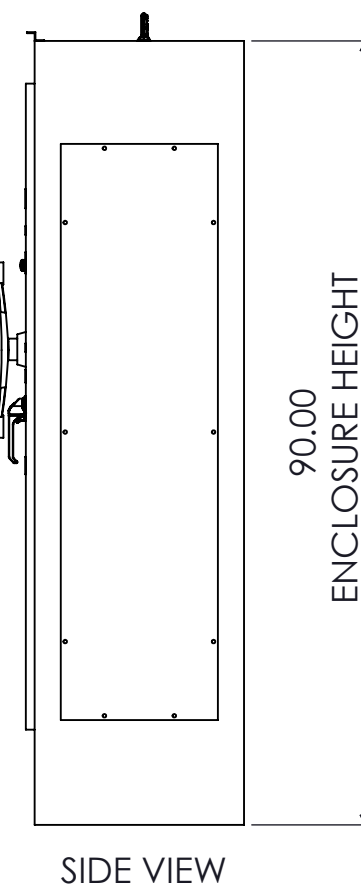
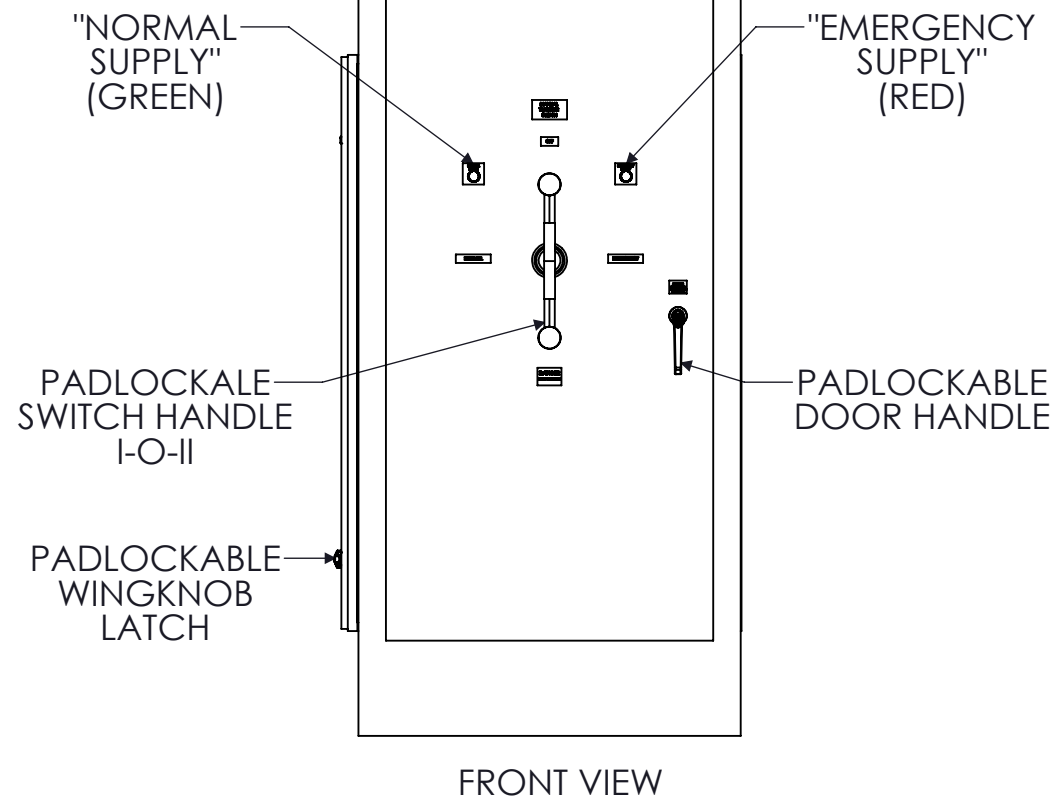


**SPECIFICATIONS**

MAX VOLTAGE - 480VAC 3 $\phi$   
 RATED CURRENT - 2500 A  
 ENCLOSURE RATING - NEMA 3R  
 REF. ES100145NF  
 DURABILITY - 3000 CYCLES  
 EST SHIPPING WEIGHT - 925LBS  
 COLOR - RAL7035 LIGHT GREY



44.00  
ENCLOSURE WIDTH

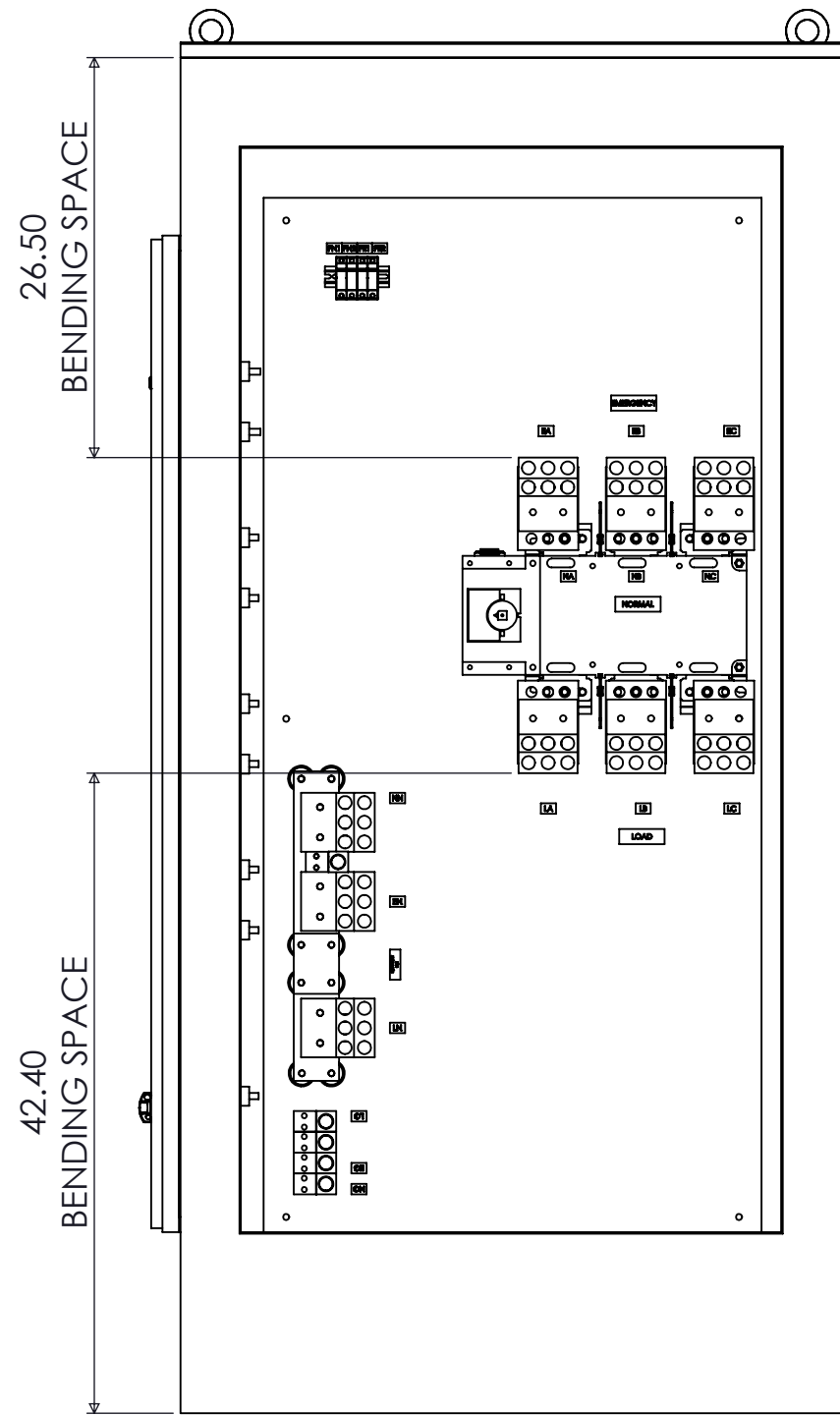


**RECEPTACLE/COVER COLOR SCHEME**

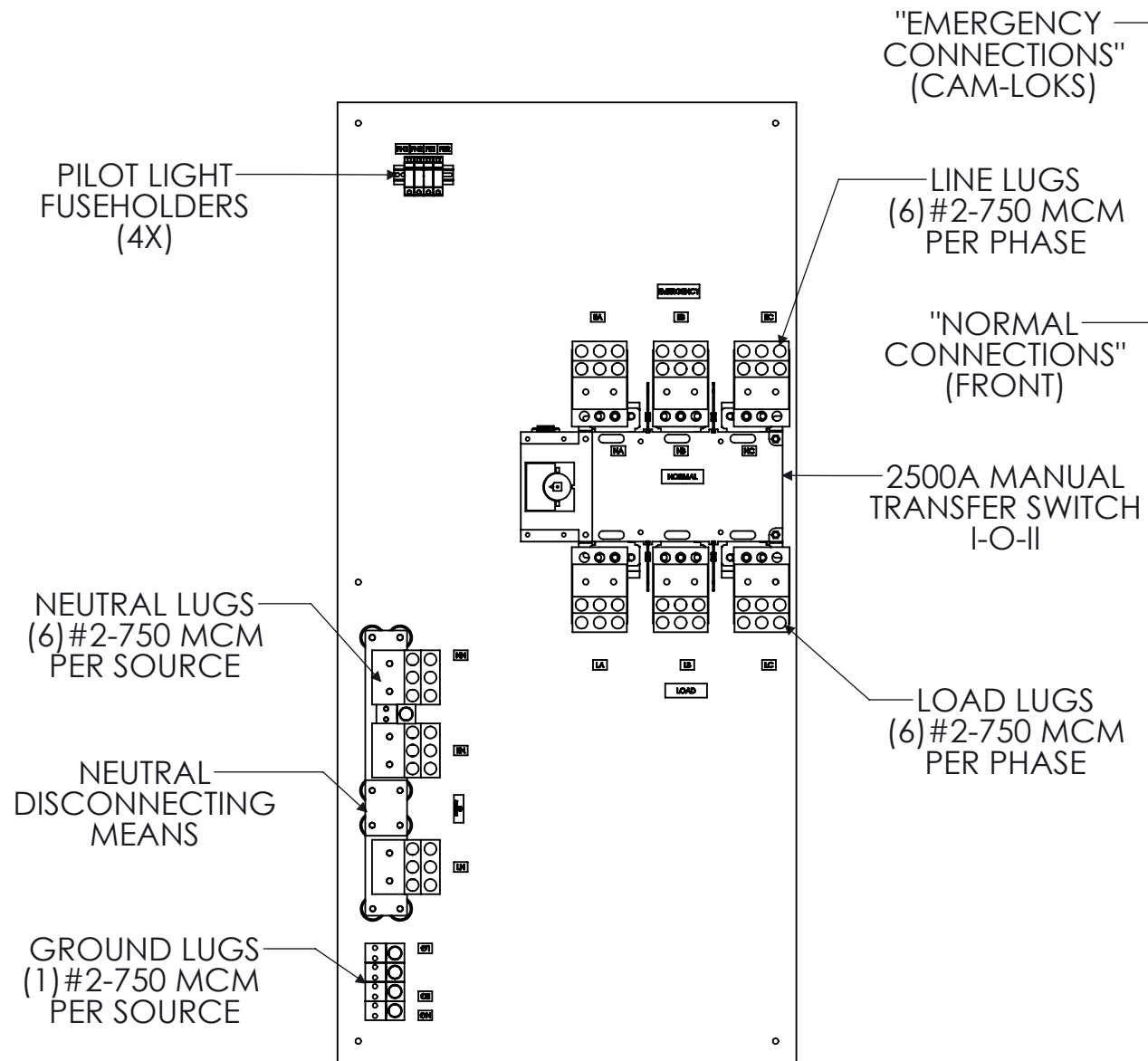
	L1	L2	L3	N	GND
240VAC	BLK	RED	BLU	WHT	GRN
480VAC	BRN	ORG	YEL	WHT	GRN
600VAC	BLK	BLK	BLK	WHT	GRN

9900 TWIN LAKES PARKWAY  
 CHARLOTTE, NC 28269  
 704-596-5617  
 PSICONTROLSOLUTIONS.COM

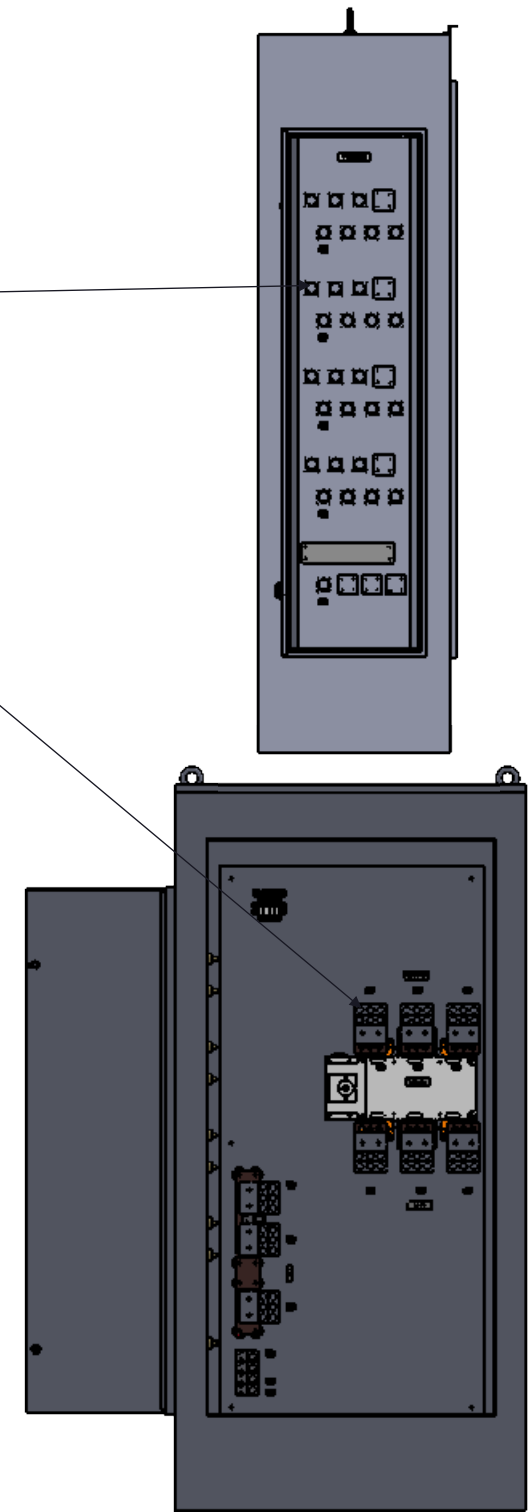
2500A NON-FUSIBLE 3-POLE NEMA 3R MANUAL TRANSFER SWITCH WITH CAM-LOKS (LEFT)					
REV	DESCRIPTION	DATE	DRAWN	J.GONZALEZ	
0	ORIGINAL RELEASE	1/17/17	CHECKED		
			SUP. NO	DRAWING TYPE	
			SUP. BY NO	DIMENSIONAL	
			PANEL NO	DRAWING NUMBER	
			BUIL. NO	STS2500N3RNF3CL	
			GROUP NO		
			ORDER NO		



FRONT VIEW  
DOOR REMOVED




FRONT VIEW  
ENCLOSURE REMOVED



FRONT VIEW  
DOOR REMOVED

2500A NON-FUSIBLE 3-POLE NEMA 3R MANUAL TRANSFER SWITCH WITH CAM-LOKS (LEFT)				
REV	DESCRIPTION	DATE	DRAWN	J.GONZALEZ
0	ORIGINAL RELEASE	1/30/17	CHECKED	
			SUP. NO	
			SUP. BY NO	
			PANEL NO	
			BUL. NO	
			GROUP NO	
			ORDER NO	


 9900 TWIN LAKES PARKWAY  
 CHARLOTTE, NC 28269  
 704-596-5617  
 PSICONTROLSOLUTIONS.COM

DRAWING TYPE  
**OUTLINE**  
 DRAWING NUMBER  
**STS2500N3RNF3CL**