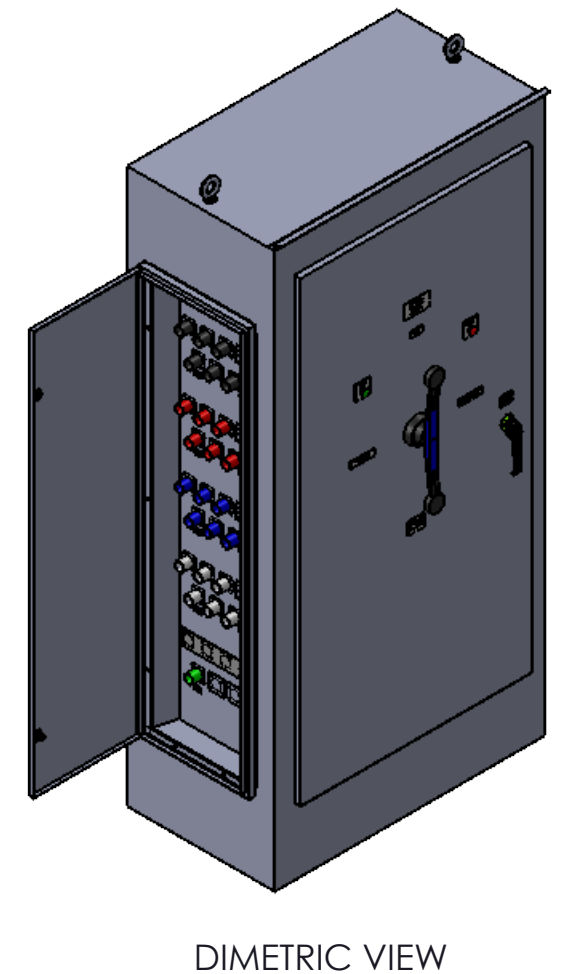
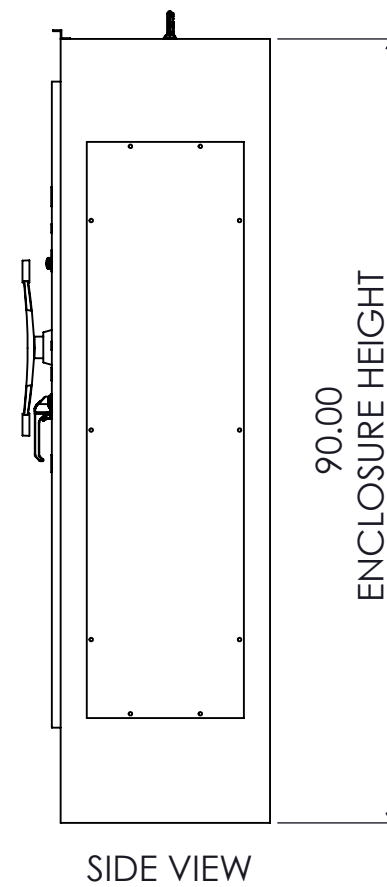
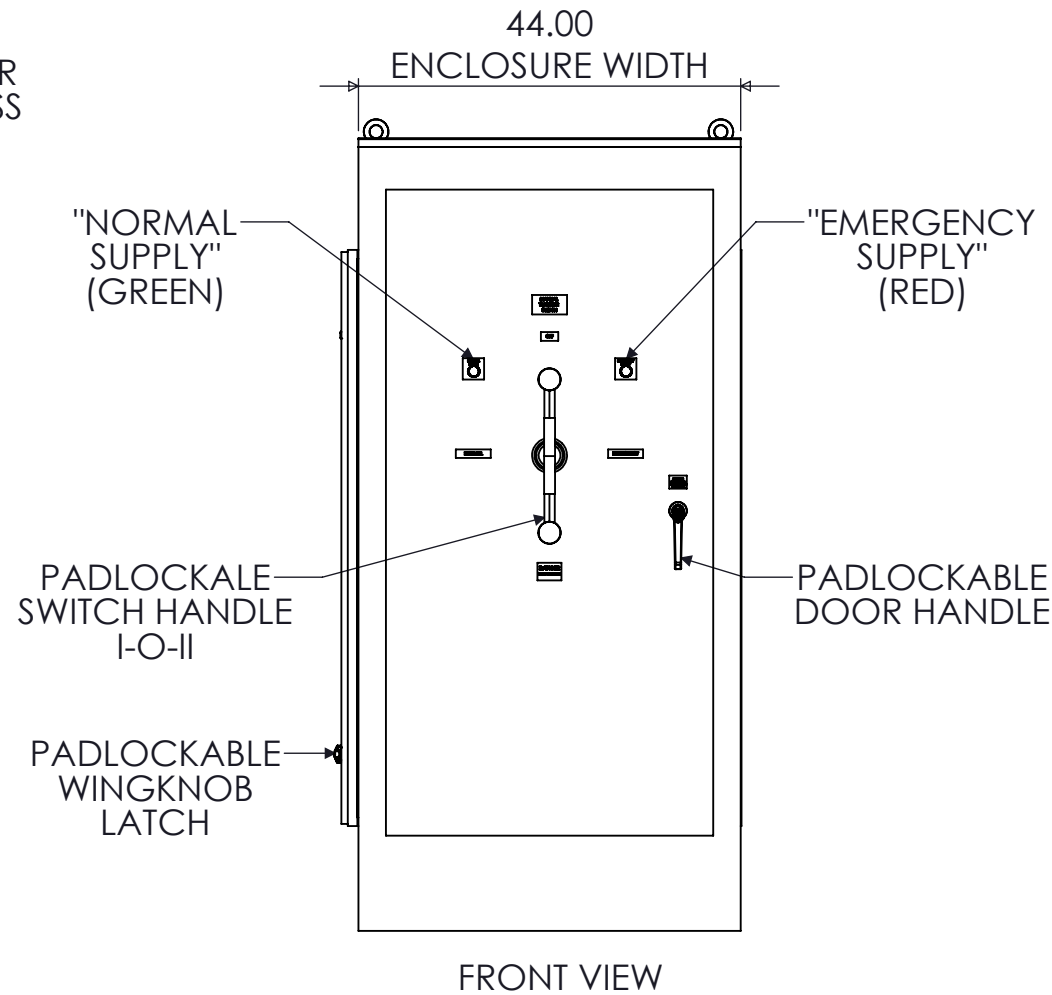
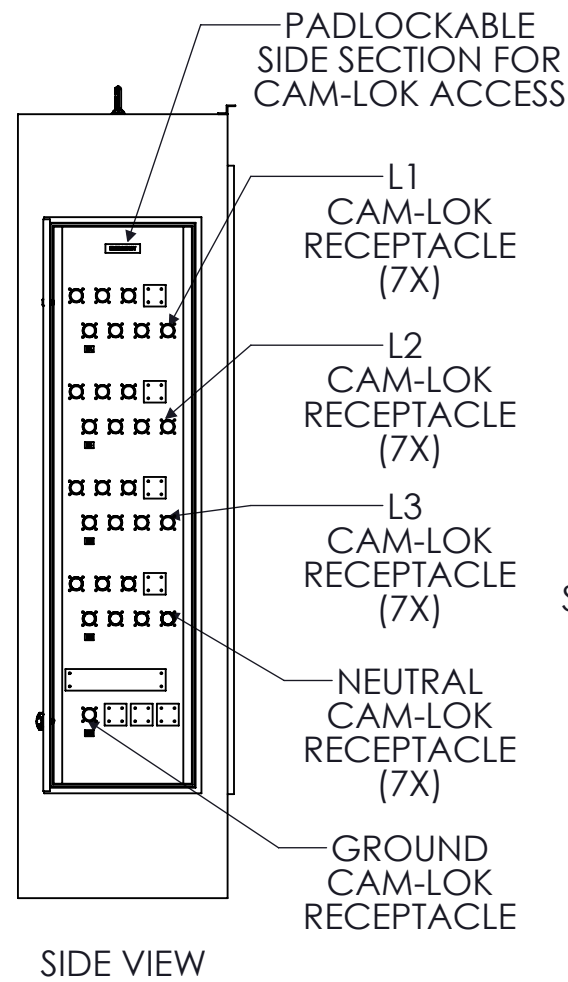
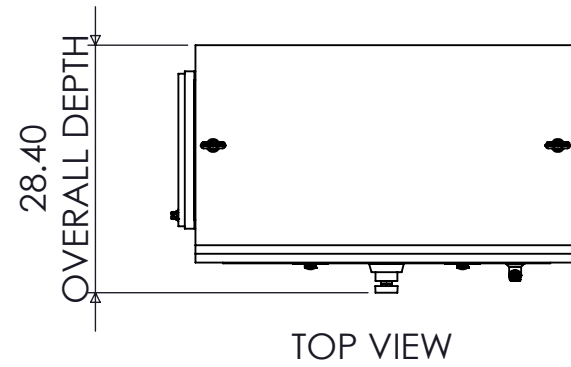


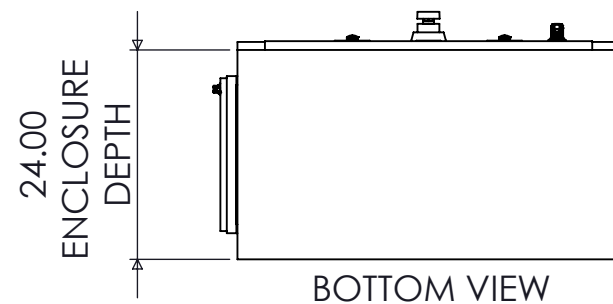
SPECIFICATIONS

MAX VOLTAGE - 480VAC 3 ϕ
 RATED CURRENT - 2500 A
 ENCLOSURE RATING - NEMA 3R
 REF. ES100145BF
 DURABILITY - 3000 CYCLES
 EST SHIPPING WEIGHT - 950LBS
 COLOR - RAL7035 LIGHT GREY



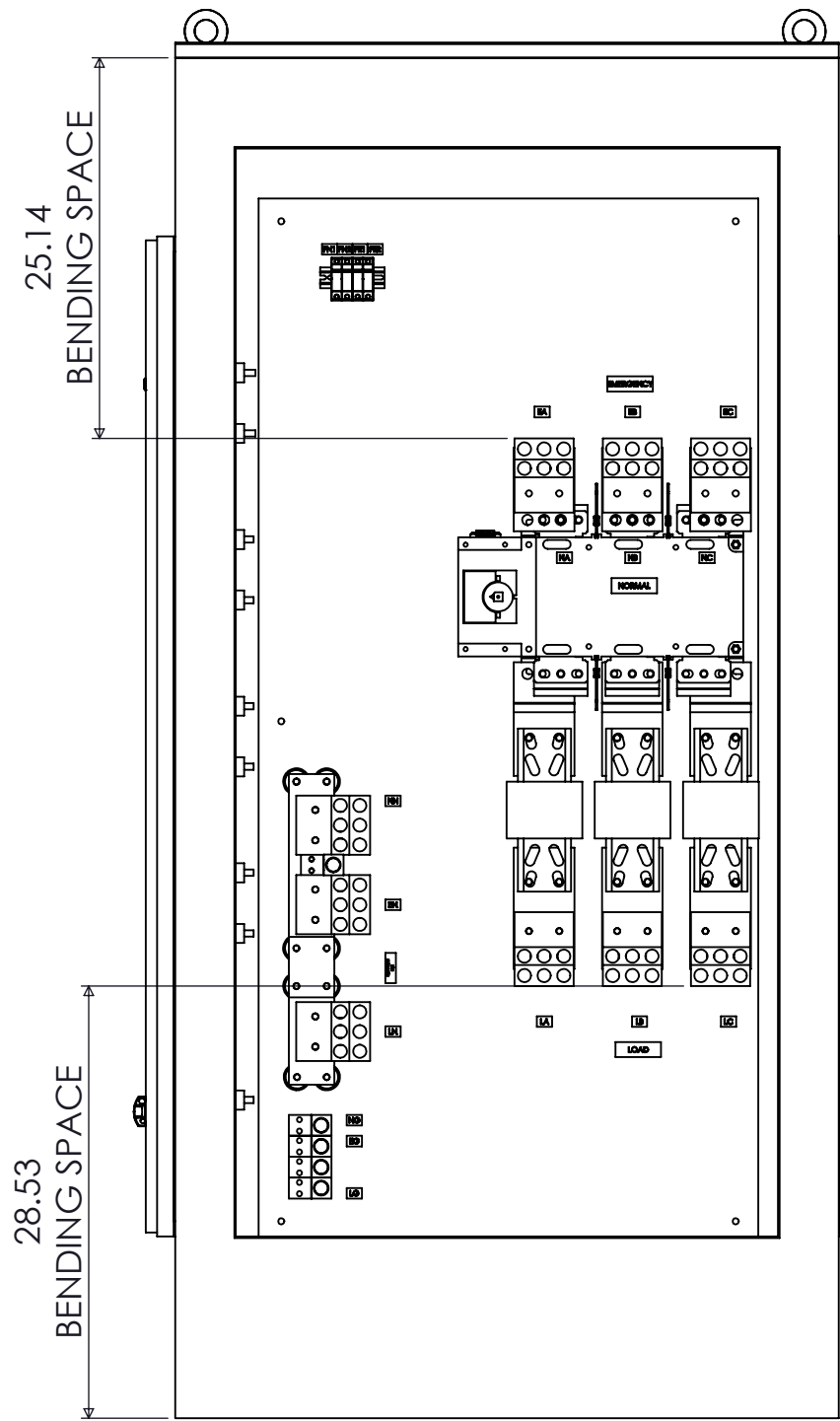
RECEPTACLE/COVER COLOR SCHEME

	L1	L2	L3	N	GND
240VAC	BLK	RED	BLU	WHT	GRN
480VAC	BRN	ORG	YEL	WHT	GRN
600VAC	BLK	BLK	BLK	WHT	GRN

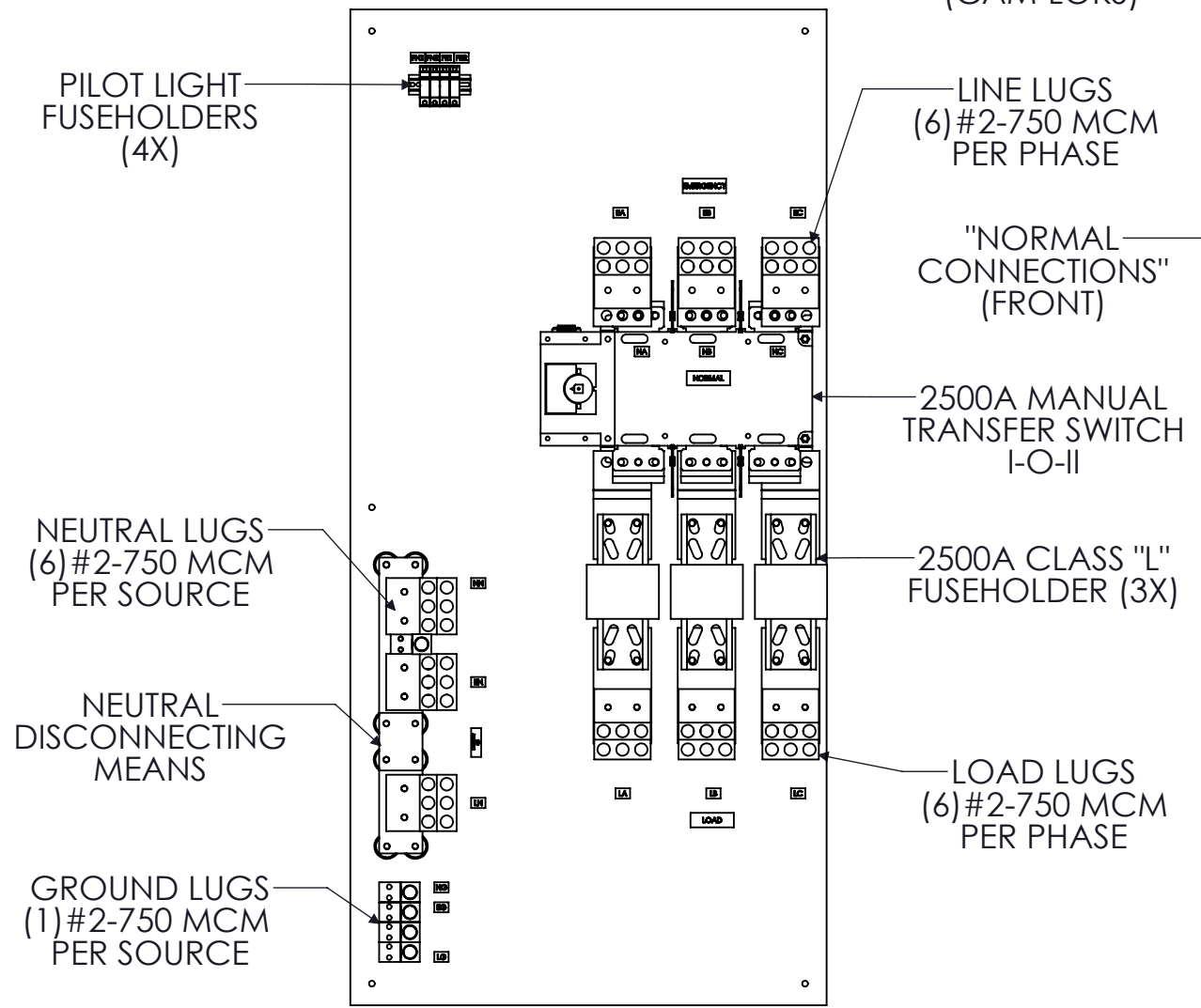


9900 TWIN LAKES PARKWAY
 CHARLOTTE, NC 28269
 704-596-5617
 PSICONTROLSOLUTIONS.COM

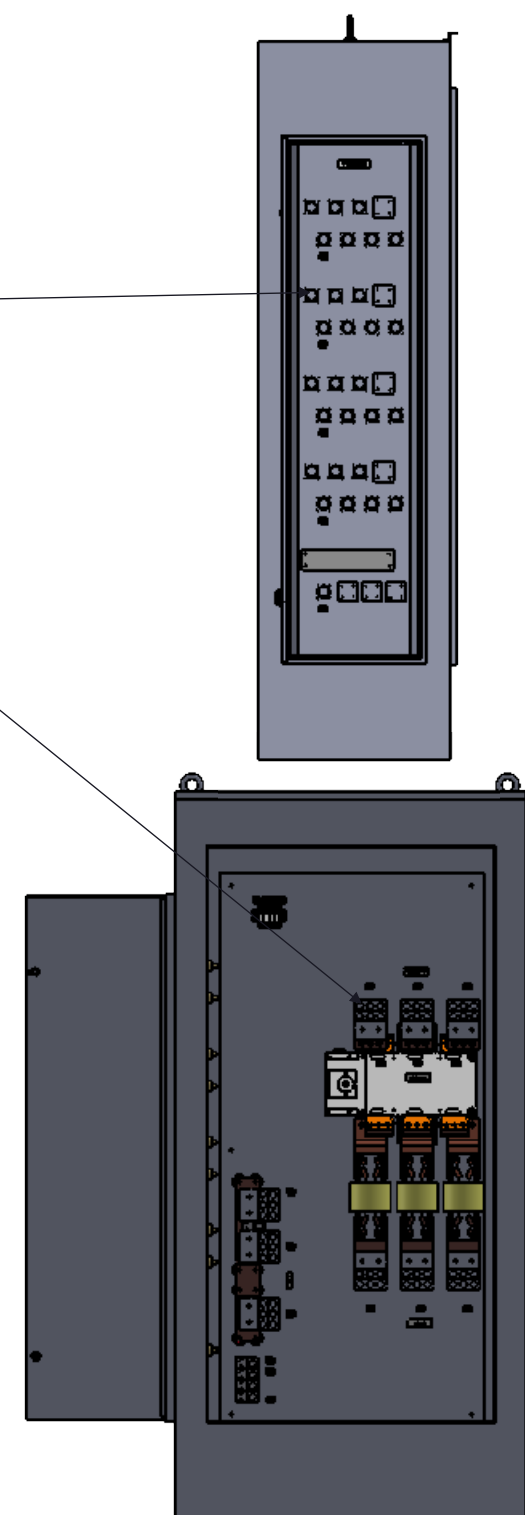
2500A FUSIBLE 3-POLE NEMA 3R MANUAL TRANSFER SWITCH WITH CAM-LOKS (LEFT)					
REV	DESCRIPTION	DATE	DRAWN	J.GONZALEZ	
0	ORIGINAL RELEASE	1/17/17	CHECKED		
			SUP. NO	DRAWING TYPE	
			SUP. BY NO	DIMENSIONAL	
			PANEL NO	DRAWING NUMBER	
			BUIL. NO	STS2500N3RBF3CL	
			GROUP NO		
			ORDER NO		



FRONT VIEW
DOOR REMOVED




FRONT VIEW
ENCLOSURE REMOVED



FRONT VIEW
DOOR REMOVED

NOTE: FUSES PROVIDED IF PURCHASED
480VAC : KRP-C-2500SP



9900 TWIN LAKES PARKWAY
CHARLOTTE, NC 28269
704-596-5617
PSICONTROLSOLUTIONS.COM

2500A FUSIBLE 3-POLE NEMA 3R MANUAL TRANSFER SWITCH WITH CAM-LOKS (LEFT)				
REV	DESCRIPTION	DATE	DRAWN	J.GONZALEZ
0	ORIGINAL RELEASE	1/30/17	CHECKED	
			SUP. NO	
			SUP. BY NO	
			PANEL NO	
			BUL. NO	
			GROUP NO	
			ORDER NO	

DRAWING TYPE	OUTLINE
DRAWING NUMBER	STS2500N3RBF3CL