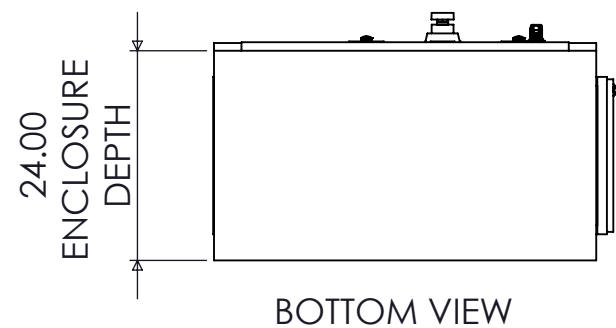
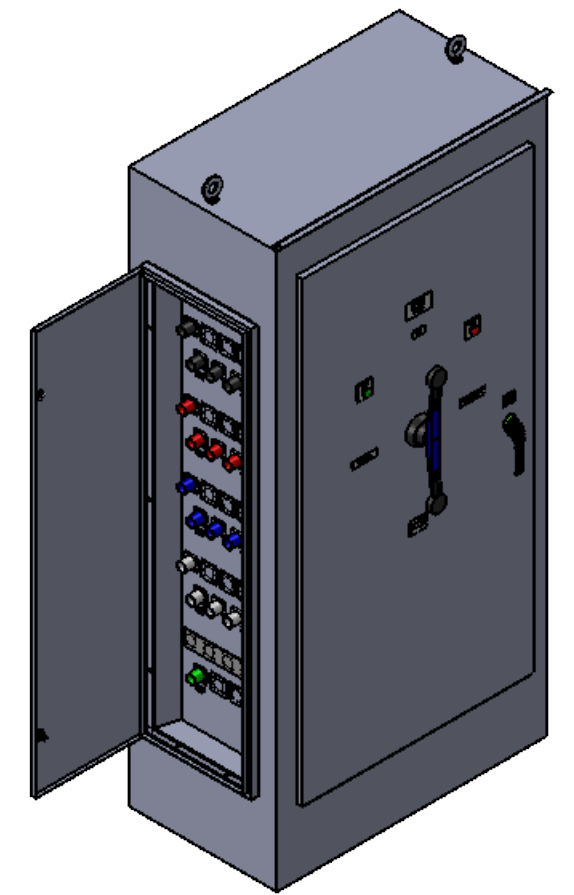
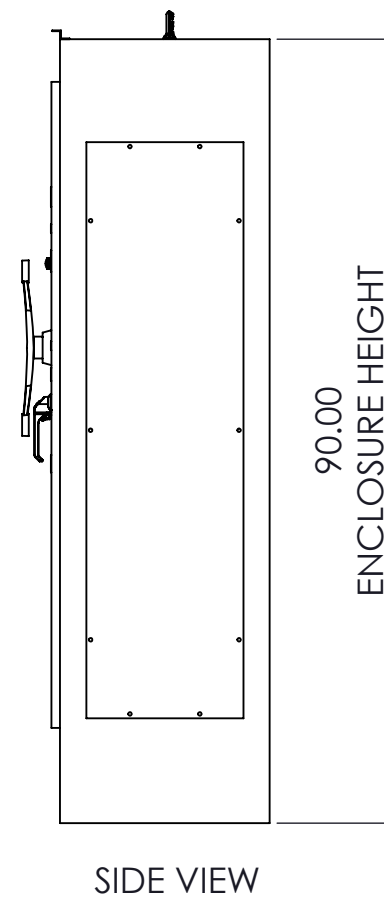
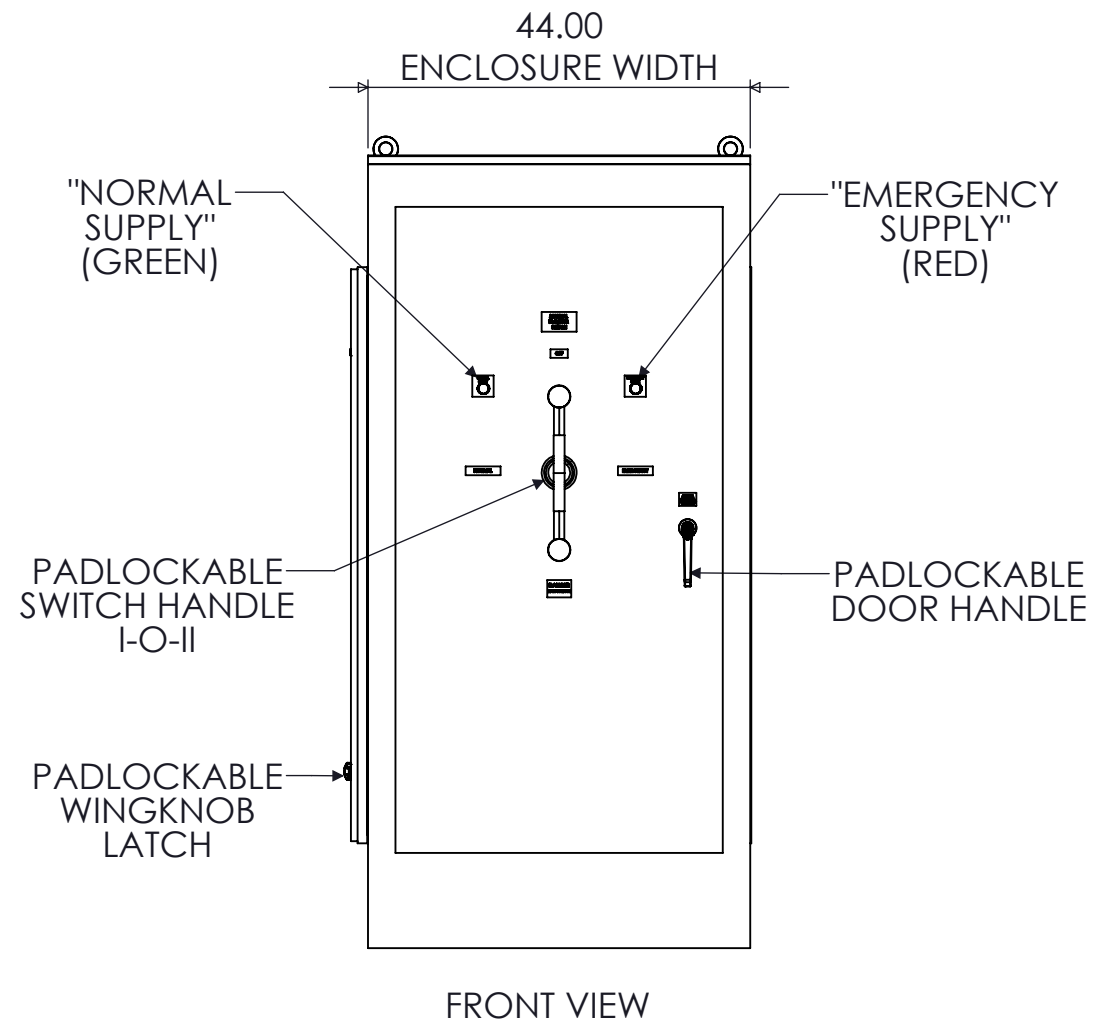
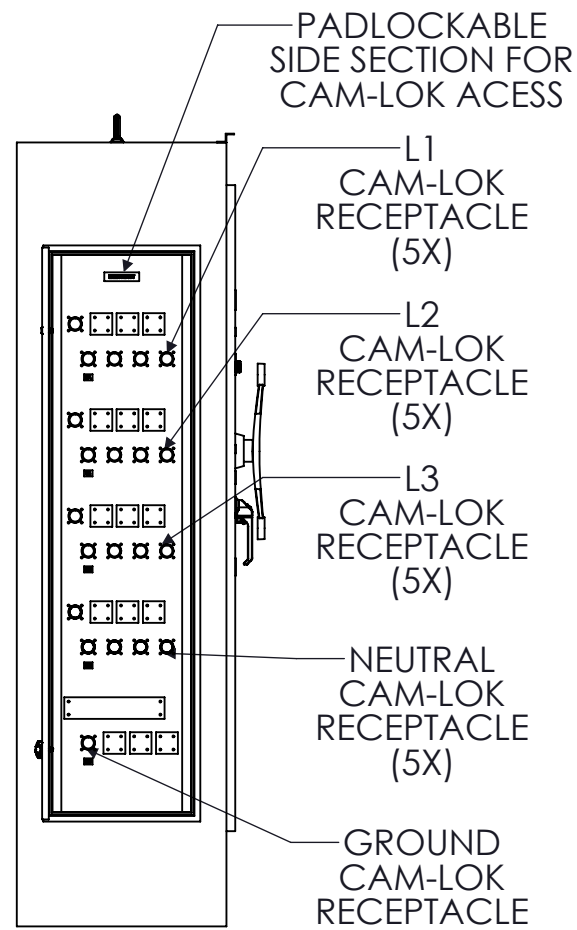
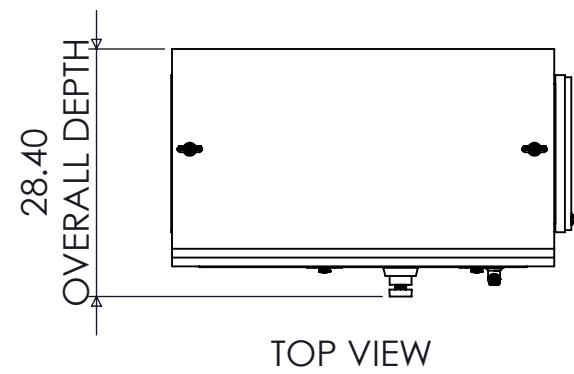


SPECIFICATIONS


MAX VOLTAGE - 600VAC 3 ϕ
 RATED CURRENT - 2000 A
 ENCLOSURE RATING - NEMA 3R
 REF. ES100145NF
 DURABILITY - 3000 CYCLES
 EST SHIPPING WEIGHT - 925LBS
 COLOR - RAL7035 LIGHT GREY



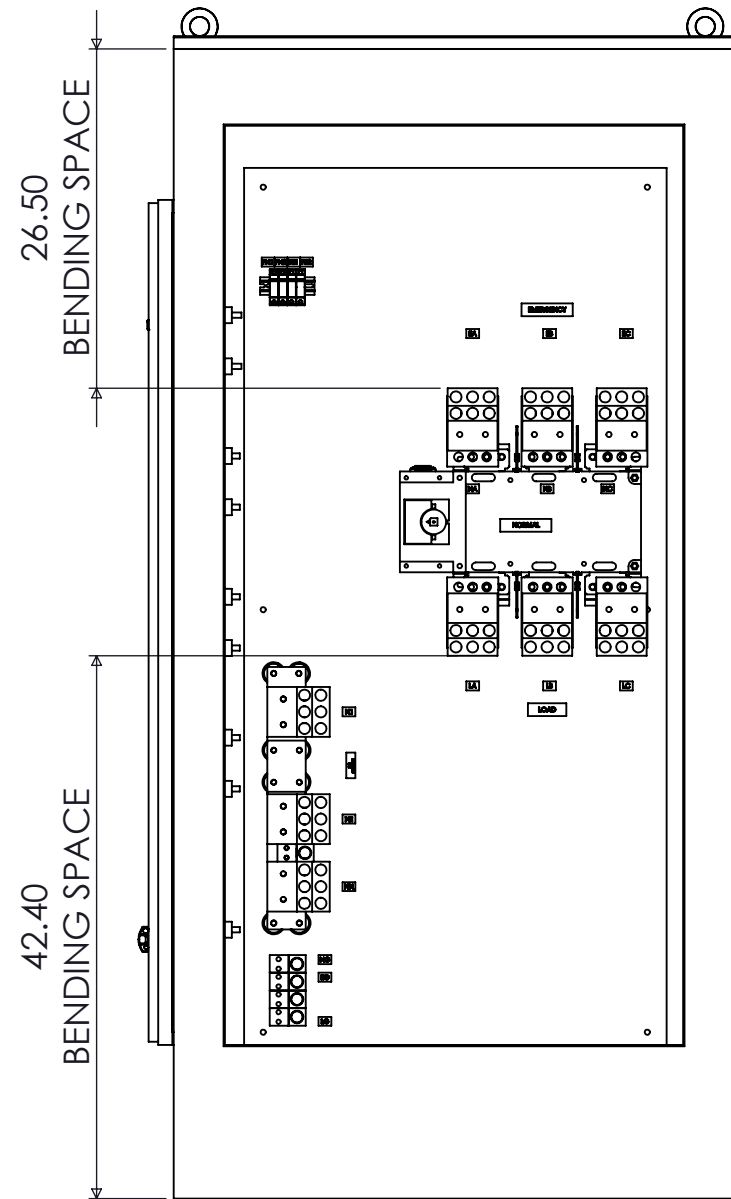
RECEPTACLE/COVER COLOR SCHEME

	L1	L2	L3	N	GND
240VAC	BLK	RED	BLU	WHT	GRN
480VAC	BRN	ORG	YEL	WHT	GRN
600VAC	BLK	BLK	BLK	WHT	GRN

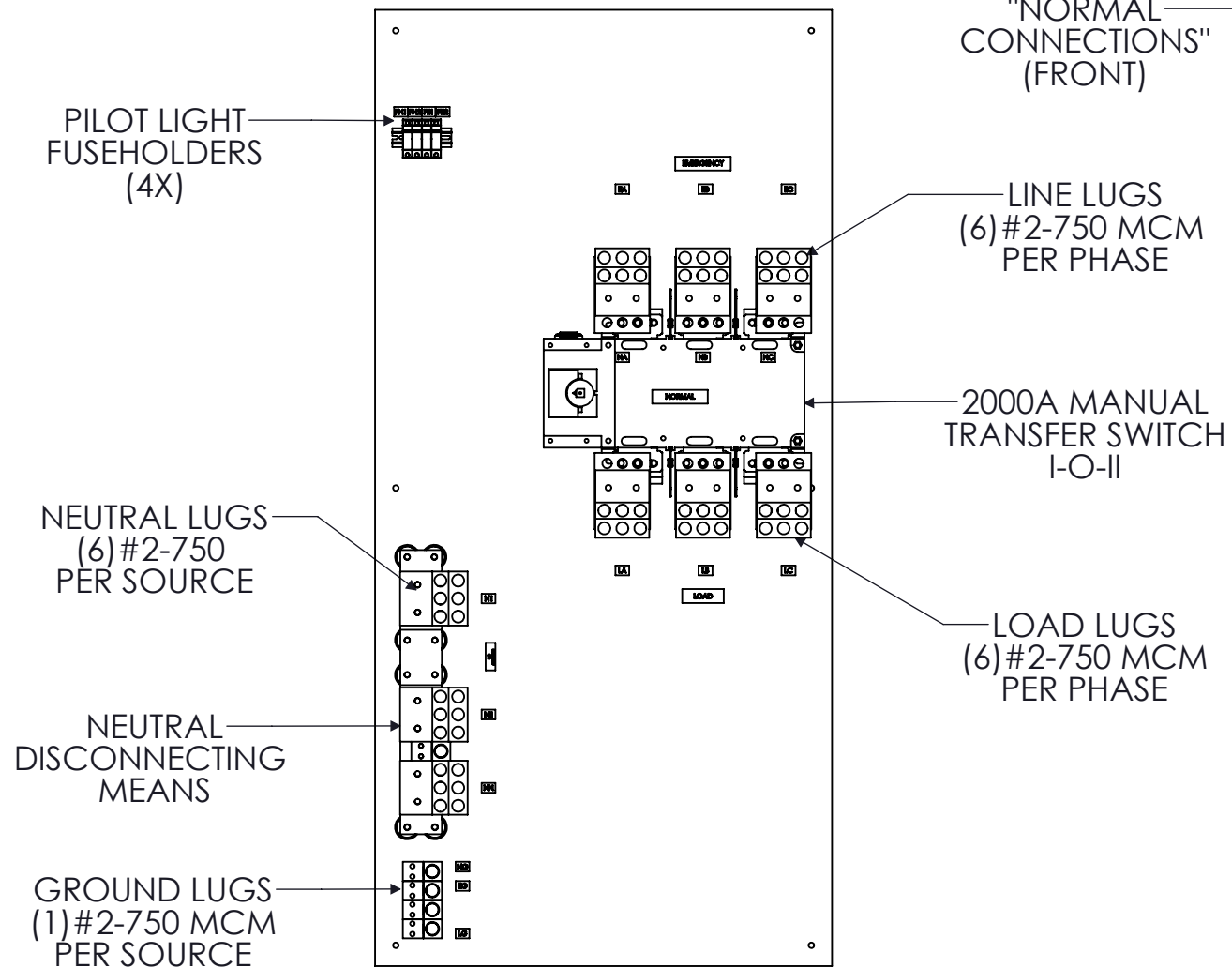
2000A NON-FUSED 3-POLE NEMA 3R MANUAL TRANSFER SWITCH WITH CAM-LOKS (LEFT)					
REV	DESCRIPTION	DATE	DRAWN	J.GONZALEZ	
0	ORIGINAL RELEASE	1/17/17	CHECKED		
			SUP. NO	DRAWING TYPE	
			SUP. BY NO	DIMENSIONAL	
			PANEL NO	DRAWING NUMBER	
			BUIL. NO	STS2000N3RNF3CL	
			GROUP NO		
			ORDER NO		



9900 TWIN LAKES PARKWAY
 CHARLOTTE, NC 28269
 704-596-5617
 PSICONTROLSOLUTIONS.COM



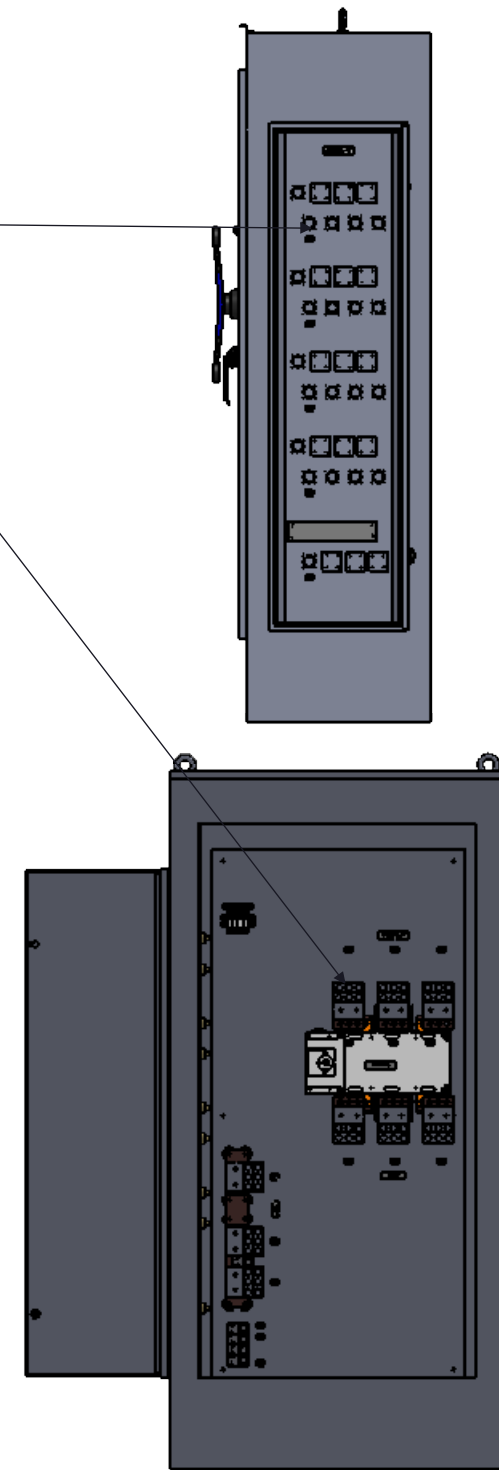
FRONT VIEW
DOOR REMOVED




FRONT VIEW
ENCLOSURE REMOVED

"EMERGENCY
CONNECTIONS"
(CAM-LOK)

"NORMAL
CONNECTIONS"
(FRONT)



FRONT VIEW
DOOR REMOVED


 9900 TWIN LAKES PARKWAY
 CHARLOTTE, NC 28269
 704-596-5617
 PSICONTROLSOLUTIONS.COM

2000A NON-FUSED 3-POLE NEMA 3R MANUAL TRANSFER SWITCH WITH CAM-LOKS (LEFT)				
REV	DESCRIPTION	DATE	DRAWN	J.GONZALEZ
0	ORIGINAL RELEASE	1/30/17	CHECKED	
			SUP. NO	
			SUP. BY NO	
			PANEL NO	
			BUL. NO	
			GROUP NO	
			ORDER NO	

DRAWING TYPE
OUTLINE
 DRAWING NUMBER
STS2000N3RNF3CL
 SHEET 2 OF 2