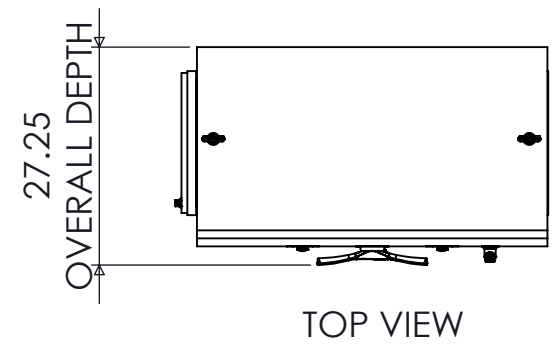
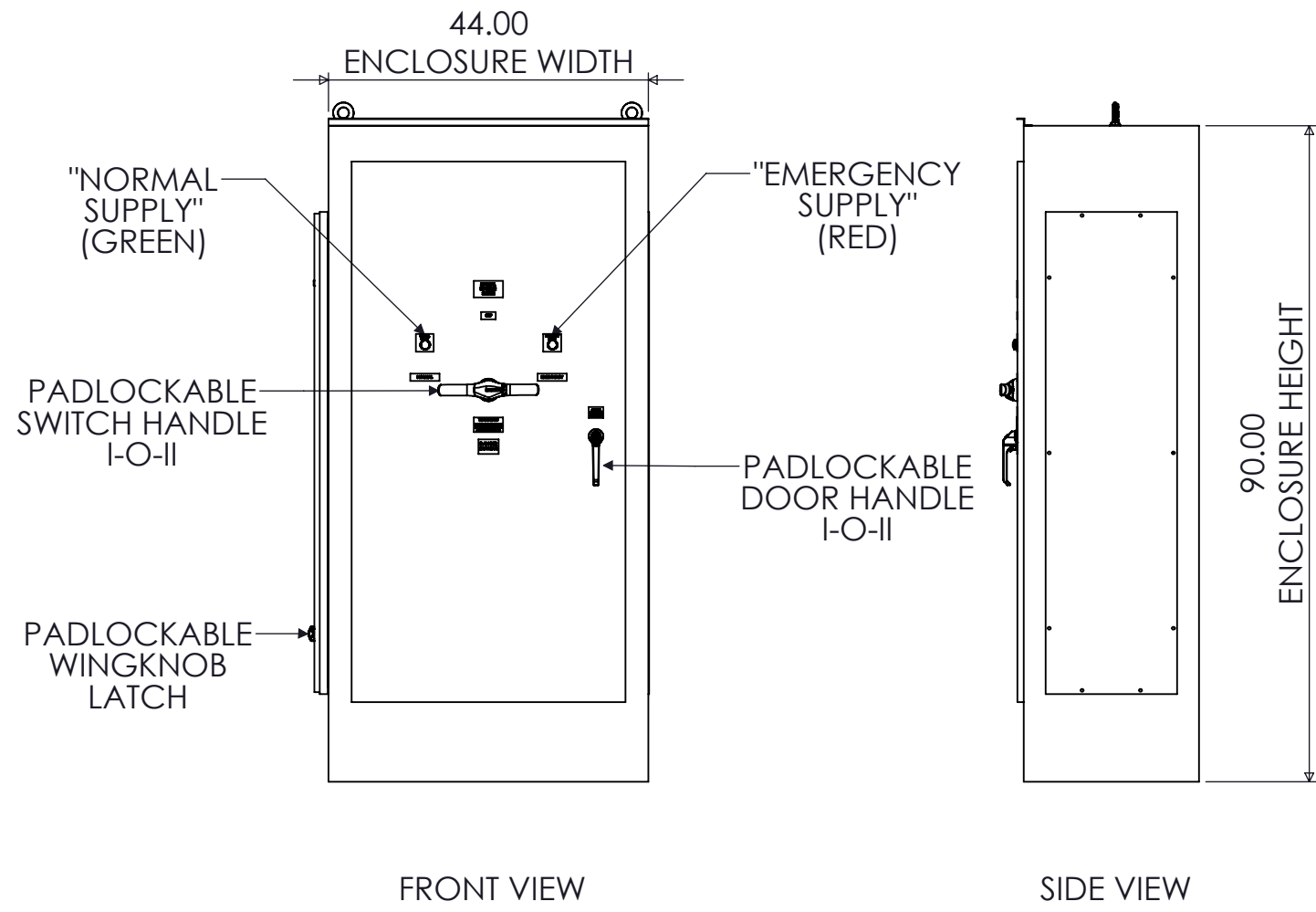


SPECIFICATIONS

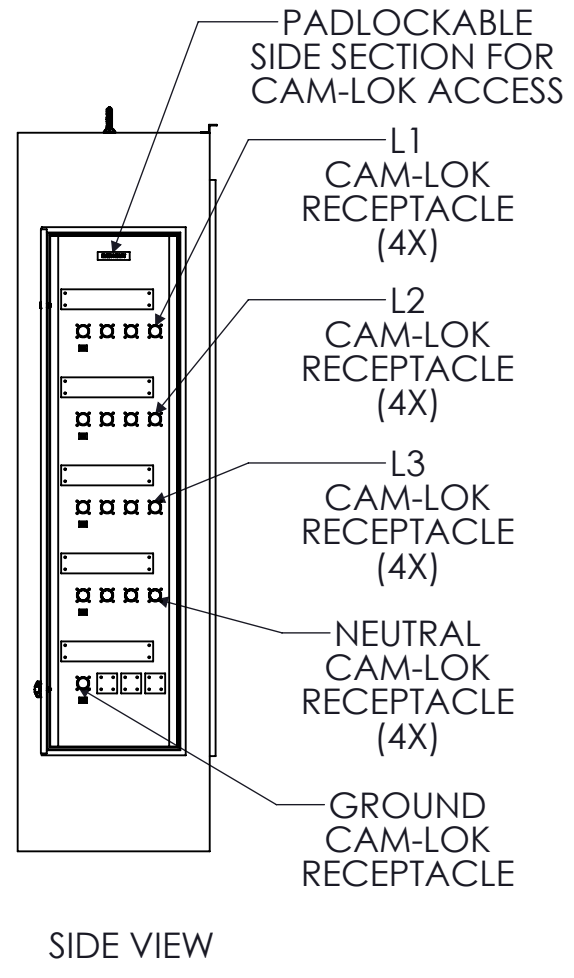
MAX VOLTAGE - 600VAC 3 ϕ
 RATED CURRENT - 1600 A
 IEC RATED ONLY - NO UL LISTING
 ENCLOSURE RATING - NEMA 3R
 REF. ES100145NF
 DURABILITY - 4000 CYCLES
 EST SHIPPING WEIGHT - 925LBS
 COLOR - RAL7035 LIGHT GREY



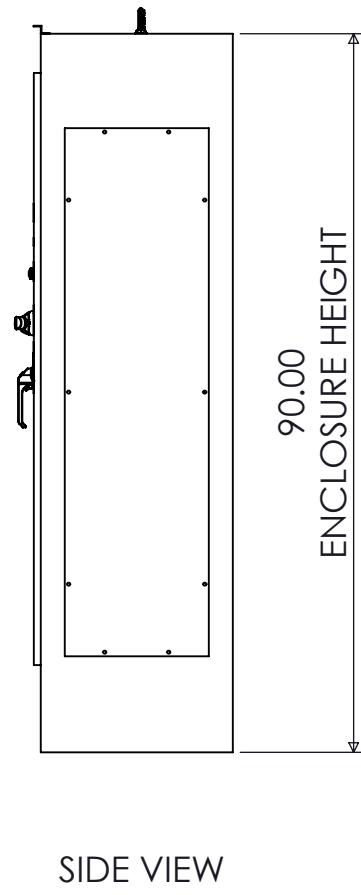
TOP VIEW



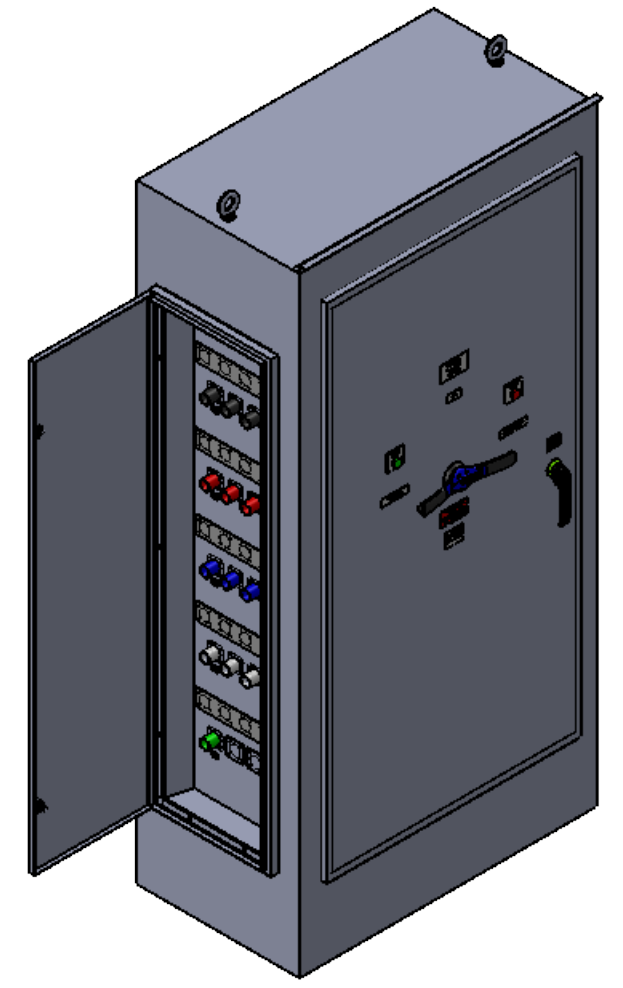
FRONT VIEW



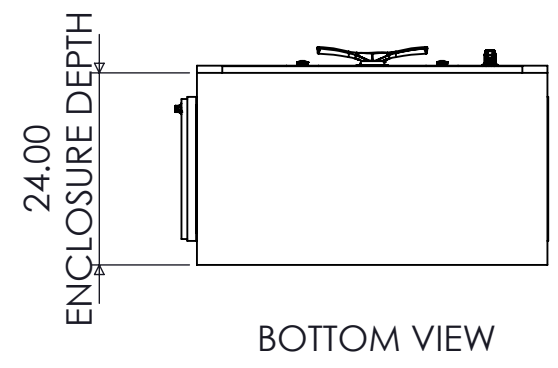
SIDE VIEW



SIDE VIEW



DIMETRIC VIEW




BOTTOM VIEW

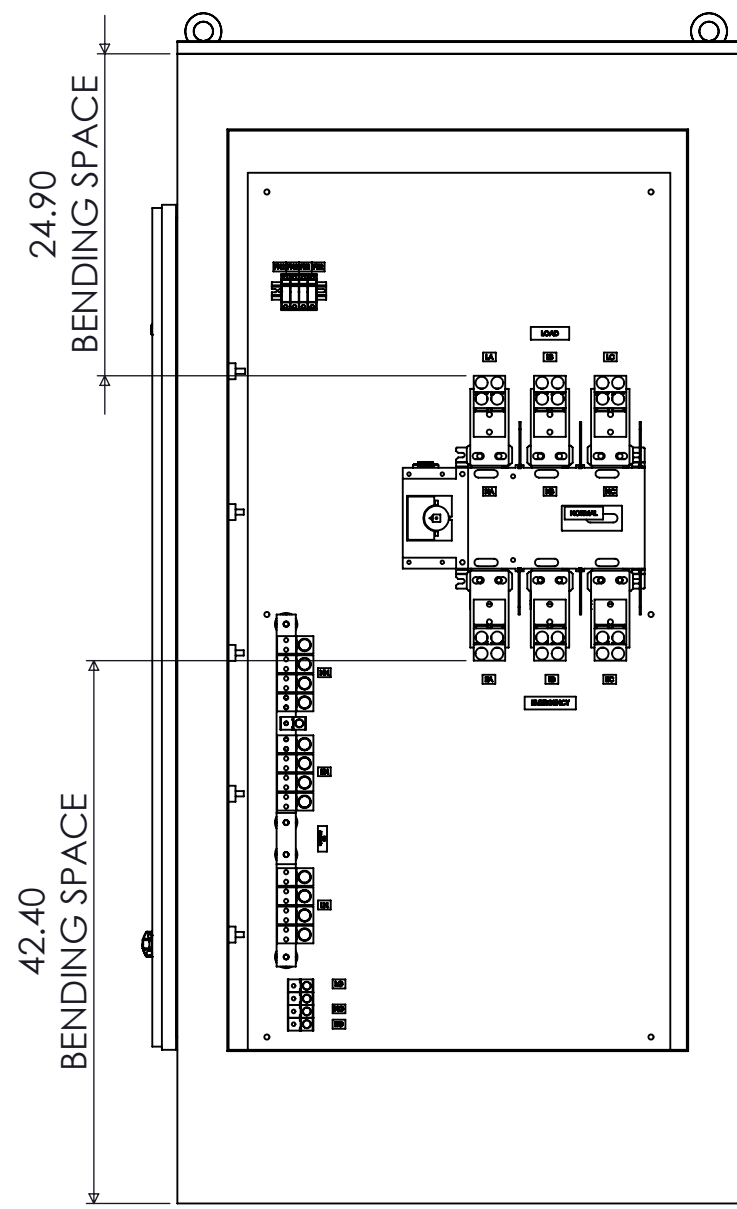
RECEPTACLE/COVER COLOR SCHEME

	L1	L2	L3	N	GND
240VAC	BLK	RED	BLU	WHT	GRN
480VAC	BRN	ORG	YEL	WHT	GRN
600VAC	BLK	BLK	BLK	WHT	GRN

1600A NON-FUSED 3-POLE NEMA 3R MANUAL TRANSFER SWITCH WITH CAM-LOKS (LEFT)					
REV	DESCRIPTION	DATE	DRAWN	J.GONZALEZ	
0	ORIGINAL RELEASE	1/17/17	CHECKED		
			SUP. NO	DRAWING TYPE	
			SUP. BY NO	DIMENSIONAL	
			PANEL NO	DRAWING NUMBER	
			BUIL. NO	STS1600N3RNF3CL	
			GROUP NO		
			ORDER NO		



9900 TWIN LAKES PARKWAY
 CHARLOTTE, NC 28269
 704-596-5617
 PSICONTROLSOLUTIONS.COM



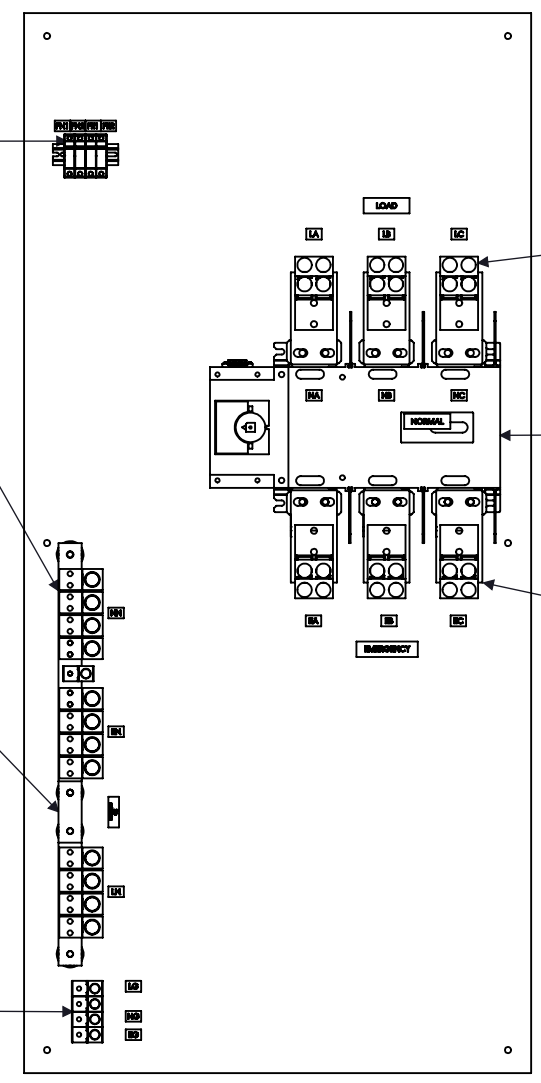
FRONT VIEW
DOOR REMOVED

PILOT LIGHT
FUSEHOLDERS
(4X)

NEUTRAL LUGS
(4) #2-750 MCM
PER SOURCE

NEUTRAL
DISCONNECTING
MEANS

GROUND LUG
(1) #6-350 MCM
PER SOURCE



FRONT VIEW
ENCLOSURE REMOVED

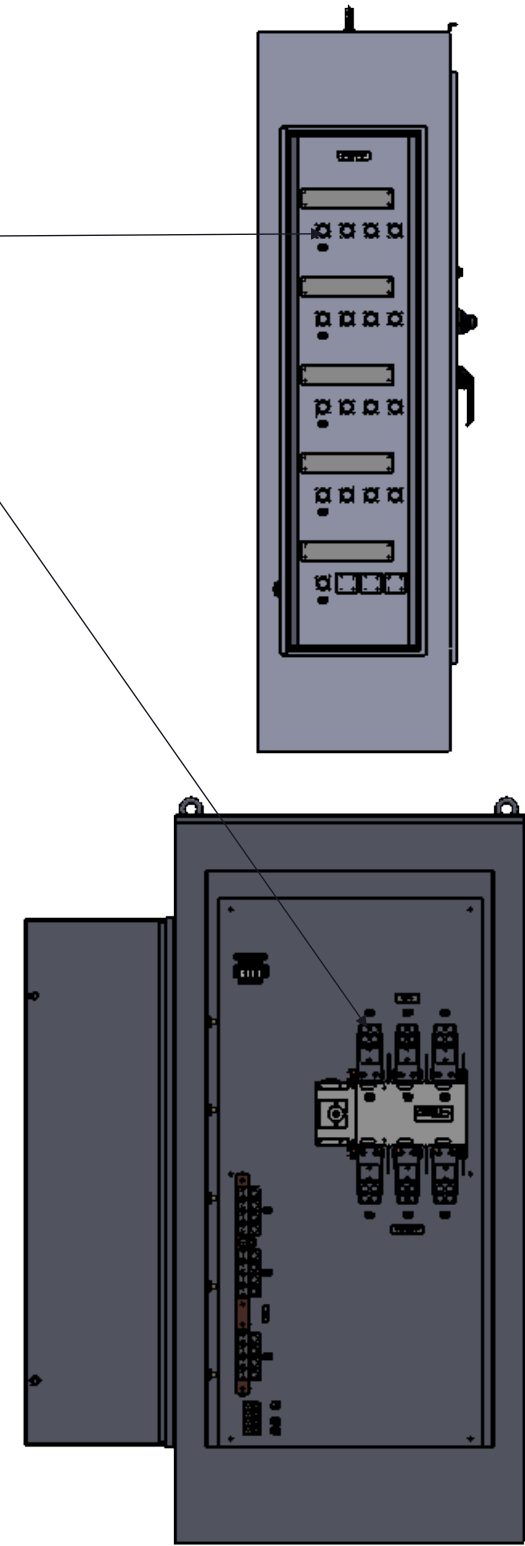
"EMERGENCY
CONNECTION"
(CAM-LOK)

"NORMAL
CONNECTION"
(FRONT)

LINE LUGS
(4) #2-750 MCM
PER PHASE


1600A MANUAL
TRANSFER SWITCH
I-O-II

LOAD LUGS
(4) #2-750 MCM
PER PHASE



FRONT VIEW
DOOR REMOVED

1600A NON-FUSED 3-POLE NEMA 3R MANUAL TRANSFER SWITCH WITH CAM-LOKS (LEFT)				
REV	DESCRIPTION	DATE	DRAWN	J.GONZALEZ
0	ORIGINAL RELEASE	1/30/17	CHECKED	
			SUP. NO	
			SUP. BY NO	
			PANEL NO	
			BUL. NO	
			GROUP NO	
			ORDER NO	
				DRAWING TYPE
				OUTLINE
				DRAWING NUMBER
				STS1600N3RNF3CL



9900 TWIN LAKES PARKWAY
CHARLOTTE, NC 28269
704-596-5617
PSICONTROLSOLUTIONS.COM