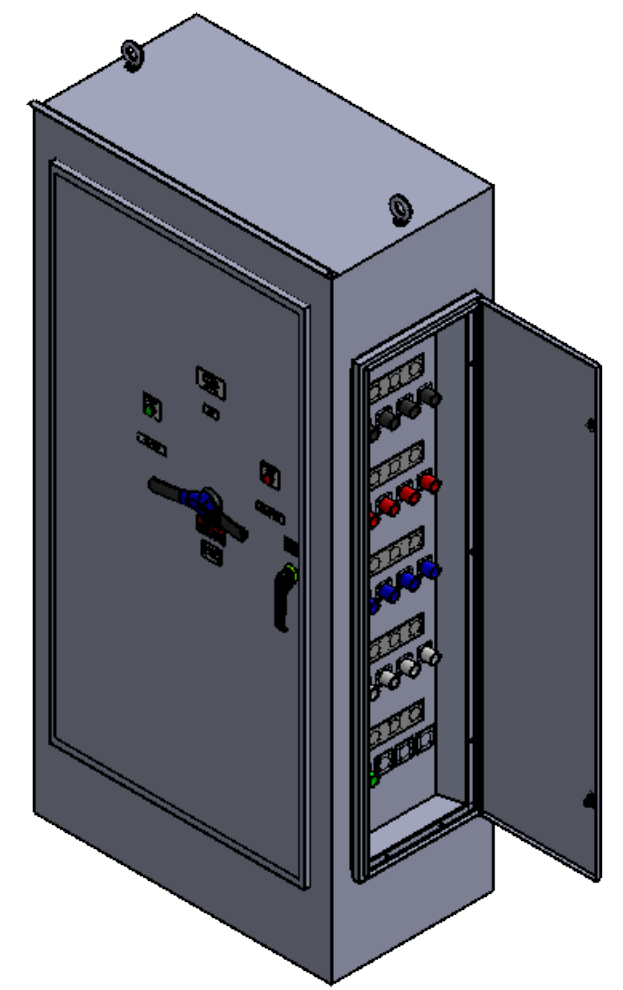
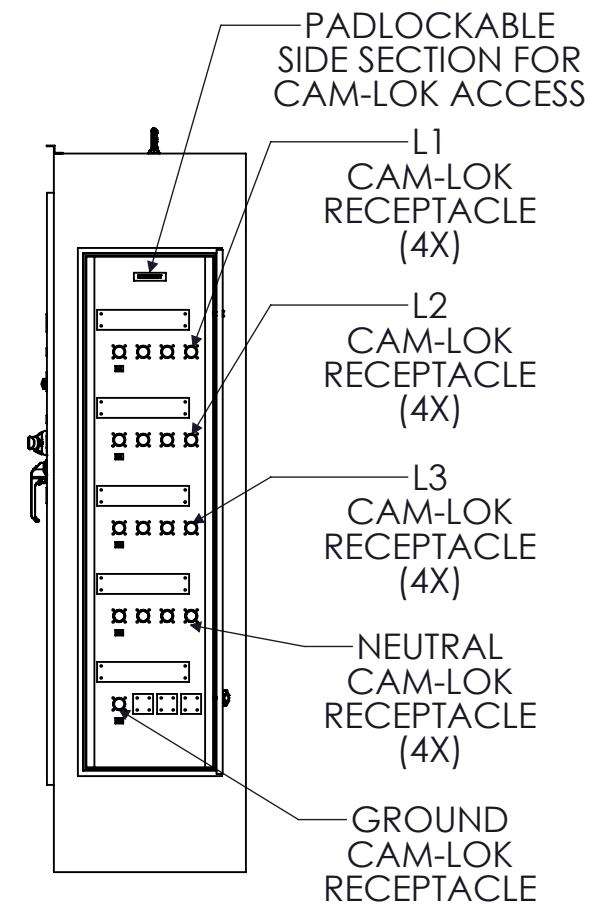
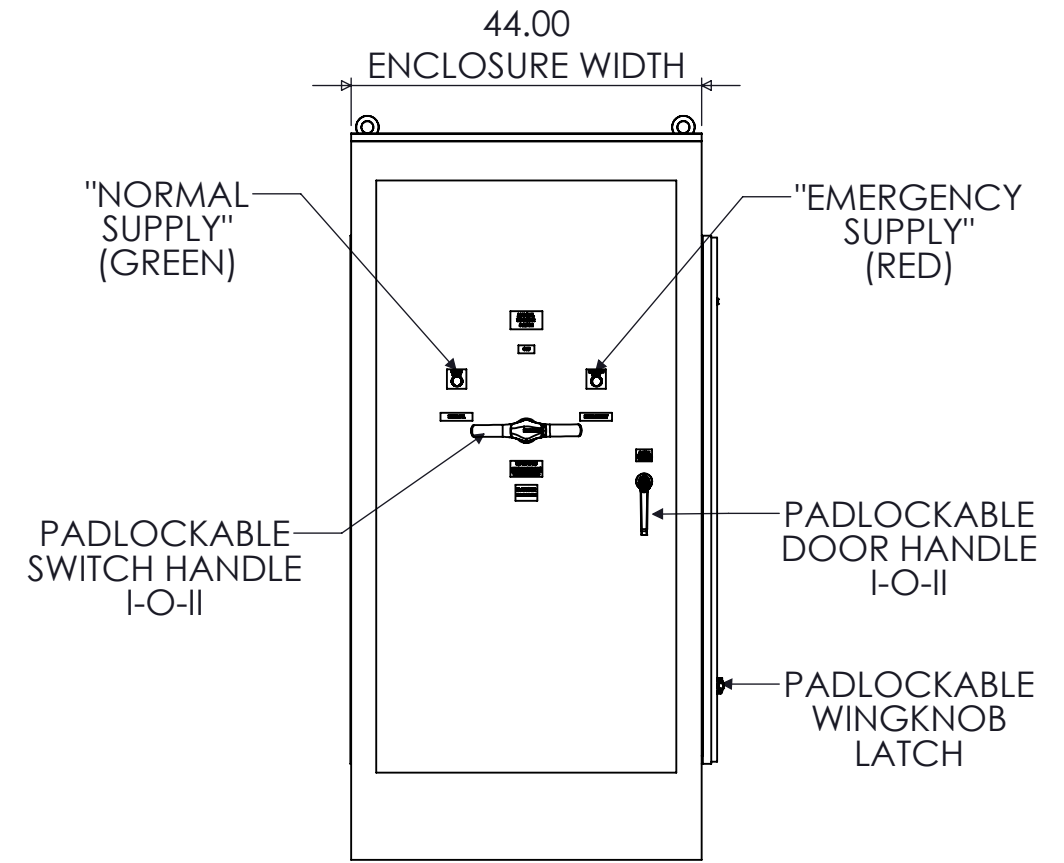
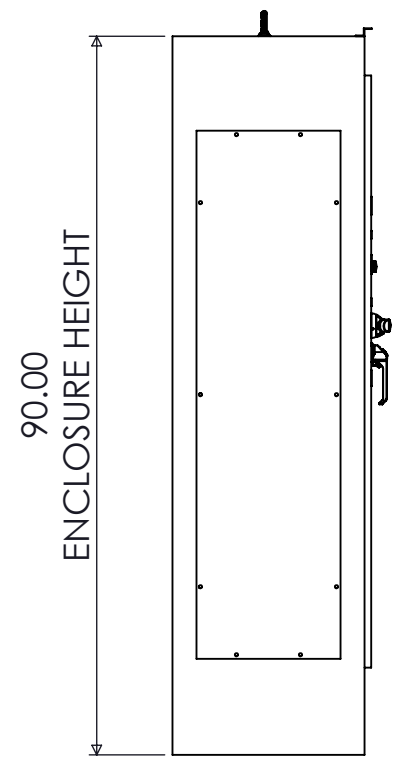
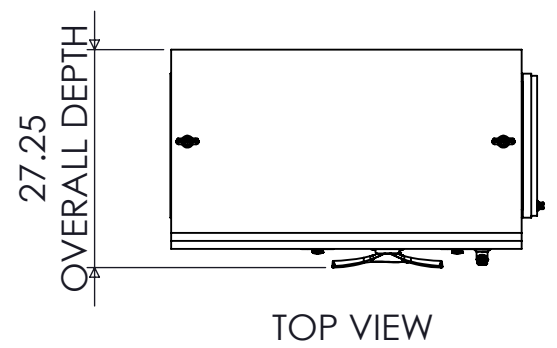


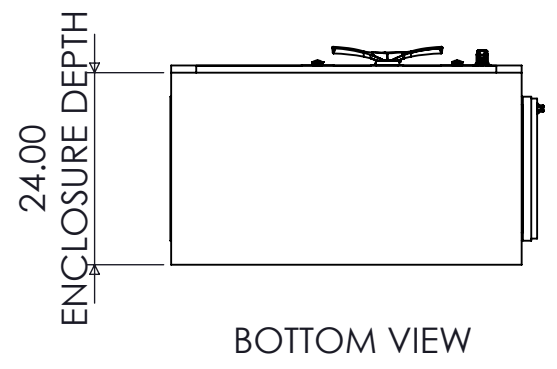
**SPECIFICATIONS**

MAX VOLTAGE - 600VAC 3 $\phi$   
 RATED CURRENT - 1600 A  
 IEC RATED ONLY - NO UL LISTING  
 ENCLOSURE RATING - NEMA 3R  
 REF. ES100145BF  
 DURABILITY - 4000 CYCLES  
 EST SHIPPING WEIGHT - 950LBS  
 COLOR - RAL7035 LIGHT GREY




**RECEPTACLE/COVER COLOR SCHEME**

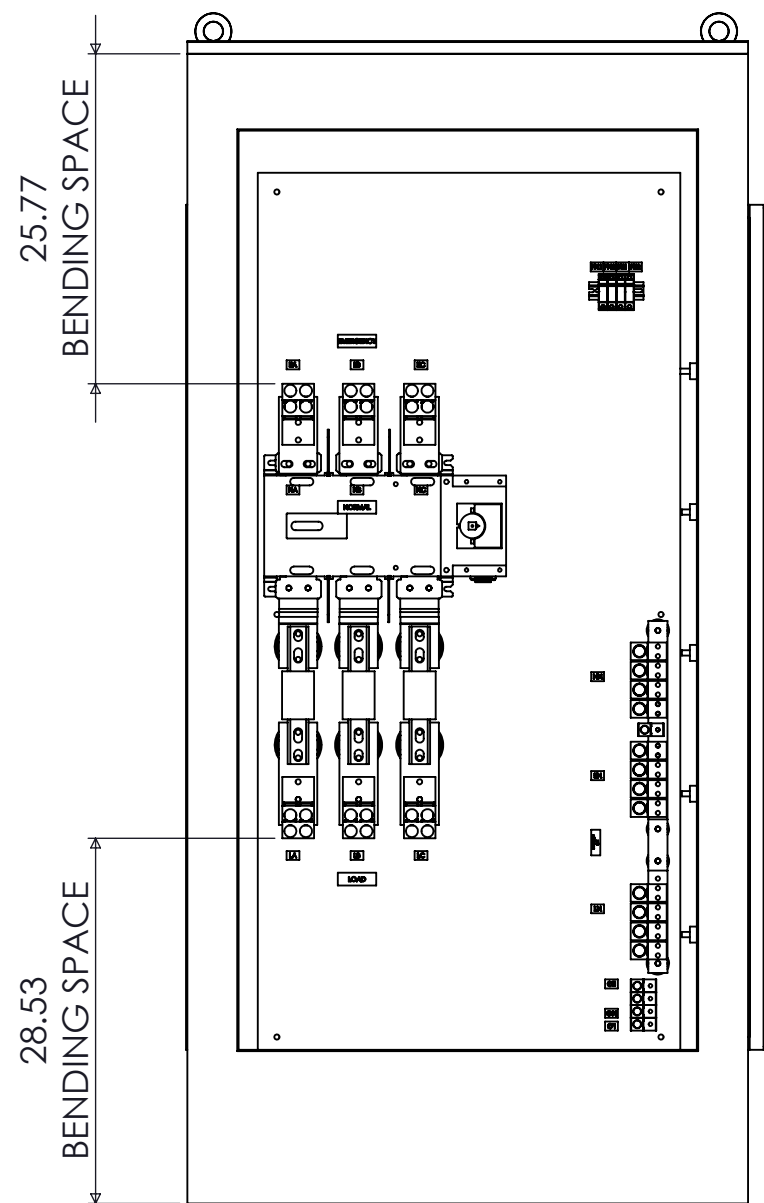
	L1	L2	L3	N	GND
240VAC	BLK	RED	BLU	WHT	GRN
480VAC	BRN	ORG	YEL	WHT	GRN
600VAC	BLK	BLK	BLK	WHT	GRN



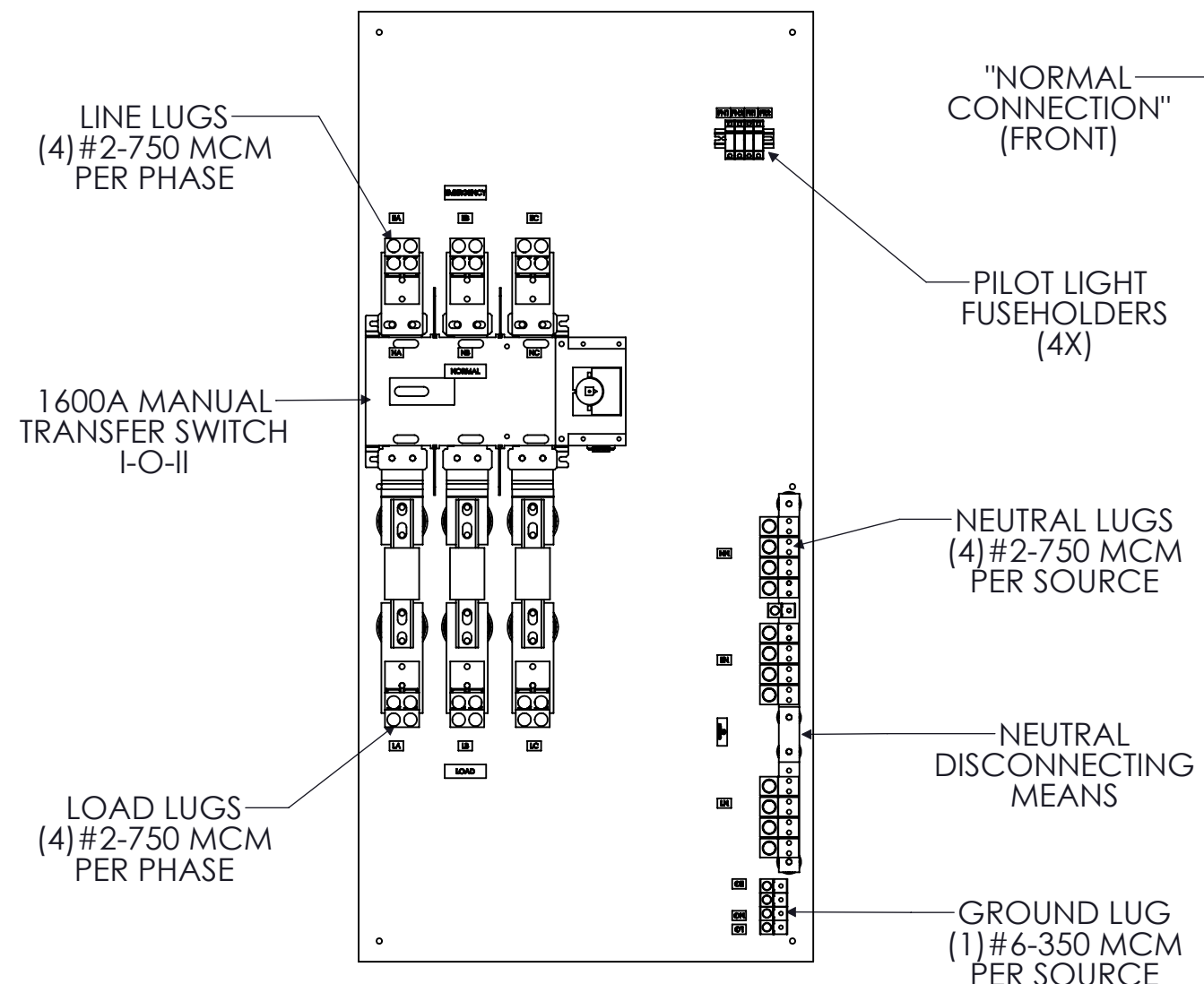
1600A FUSIBLE 3-POLE NEMA 3R MANUAL TRANSFER SWITCH WITH CAM-LOKS (RIGHT)					
REV	DESCRIPTION	DATE	DRAWN	J.GONZALEZ	
0	ORIGINAL RELEASE	1/17/17	CHECKED		
			SUP. NO	DRAWING TYPE	
			SUP. BY NO	DIMENSIONAL	
			PANEL NO	DRAWING NUMBER	
			BUIL. NO	STS1600N3RBF3CR	
			GROUP NO		
			ORDER NO		



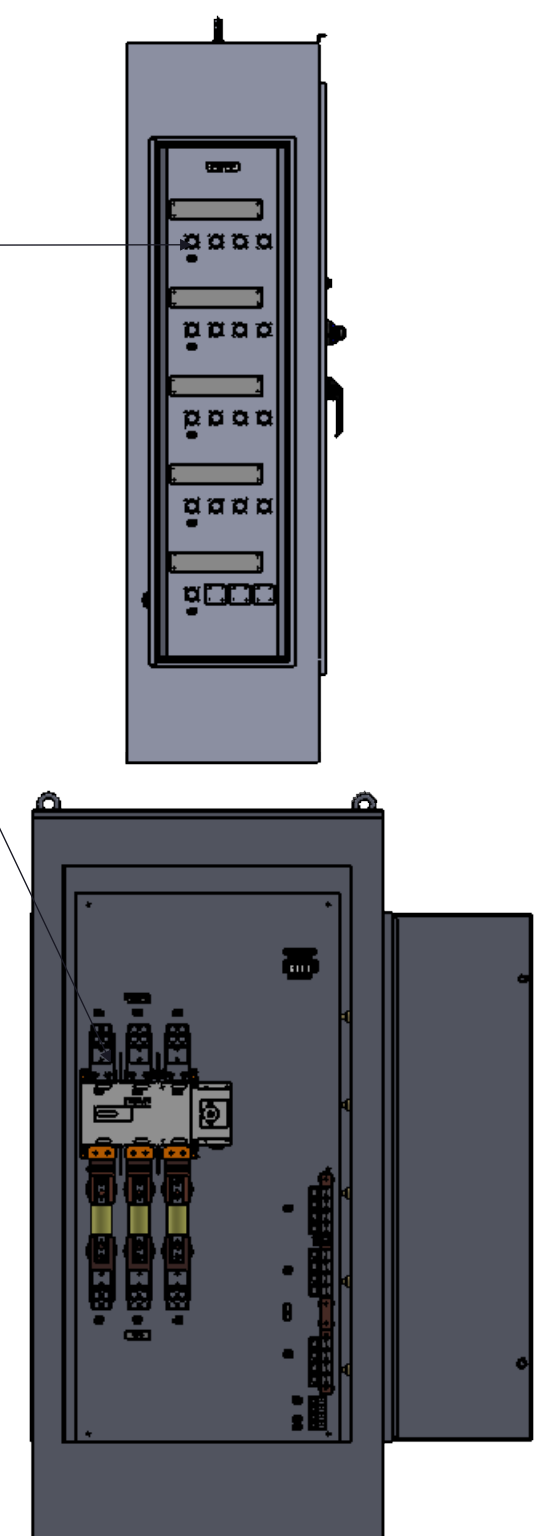
9900 TWIN LAKES PARKWAY  
 CHARLOTTE, NC 28269  
 704-596-5617  
 PSICONTROLSOLUTIONS.COM



FRONT VIEW  
DOOR REMOVED




FRONT VIEW  
ENCLOSURE REMOVED



FRONT VIEW  
DOOR REMOVED

NOTE: FUSES PROVIDED IF PURCHASED  
208-600VAC : KRP-C-1600SP



9900 TWIN LAKES PARKWAY  
CHARLOTTE, NC 28269  
704-596-5617  
PSICONTROLSOLUTIONS.COM

1600A FUSIBLE 3-POLE NEMA 3R MANUAL TRANSFER SWITCH WITH CAM-LOKS (RIGHT)			
REV	DESCRIPTION	DATE	DRAWN J.GONZALEZ
0	ORIGINAL RELEASE	1/30/17	CHECKED
			SUP. NO
			SUP. BY NO
			PANEL NO
			BUL. NO
			GROUP NO
			ORDER NO

DRAWING TYPE	OUTLINE
DRAWING NUMBER	STS1600N3RBF3CR