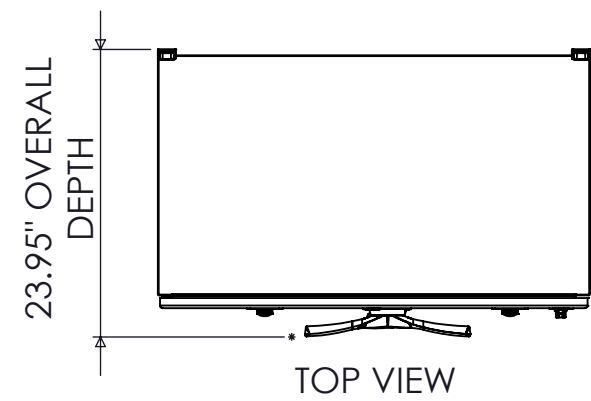
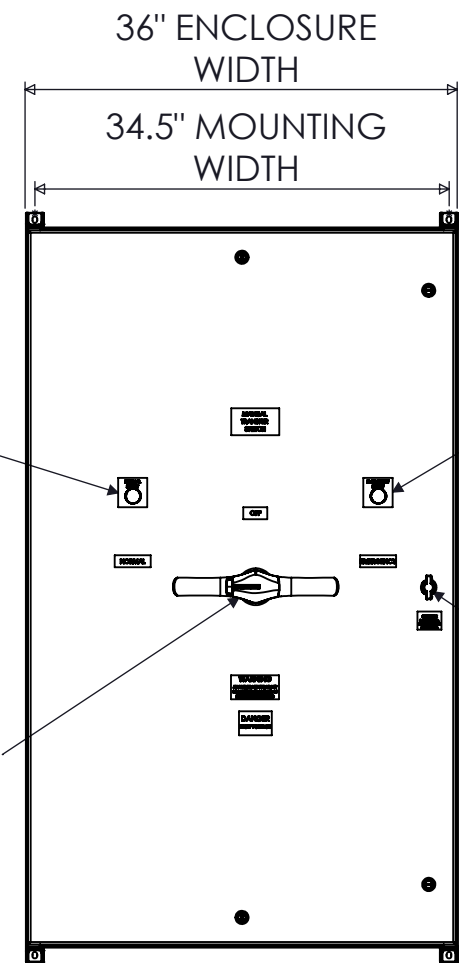


SPECIFICATIONS

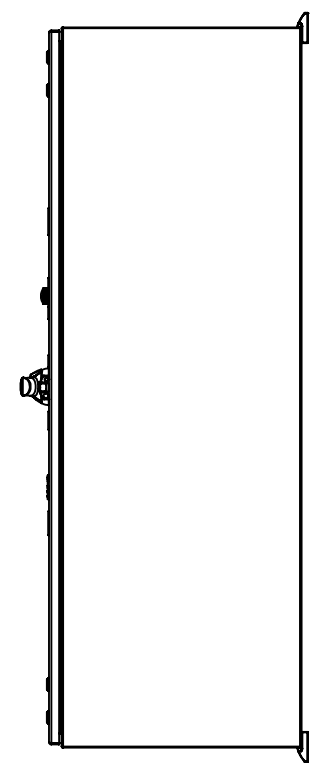
MAX VOLTAGE - 600VAC 3 $\phi$   
 RATED CURRENT - 800 A  
 STANDARDS - UL508A  
 ENCLOSURE RATING - NEMA 4X  
 TYPE 316 STAINLESS STEEL  
 REF. ES100145NF3  
 DURABILITY - 3550 CYCLES  
 EST SHIPPING WEIGHT - 400LBS



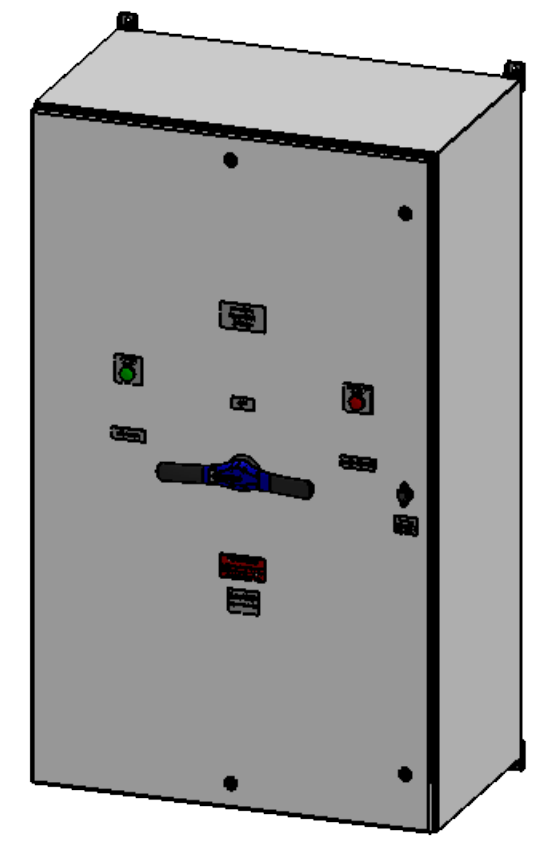
TOP VIEW



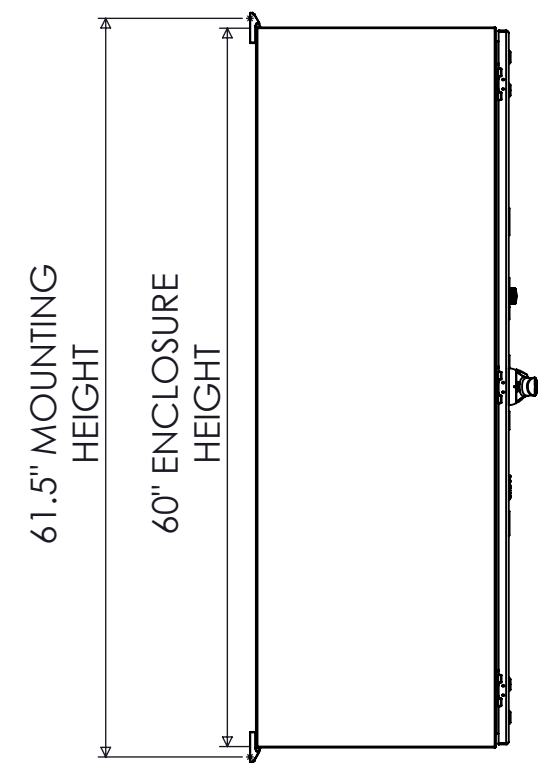
FRONT VIEW



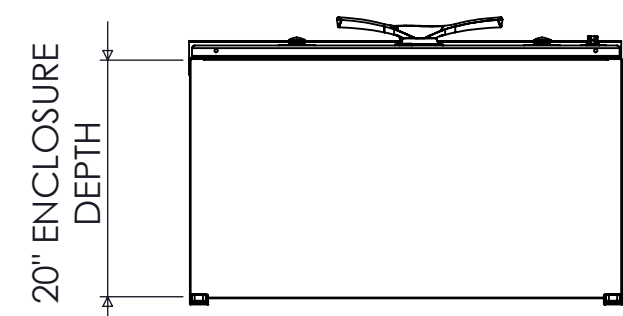
SIDE VIEW



DIMETRIC VIEW




SIDE VIEW

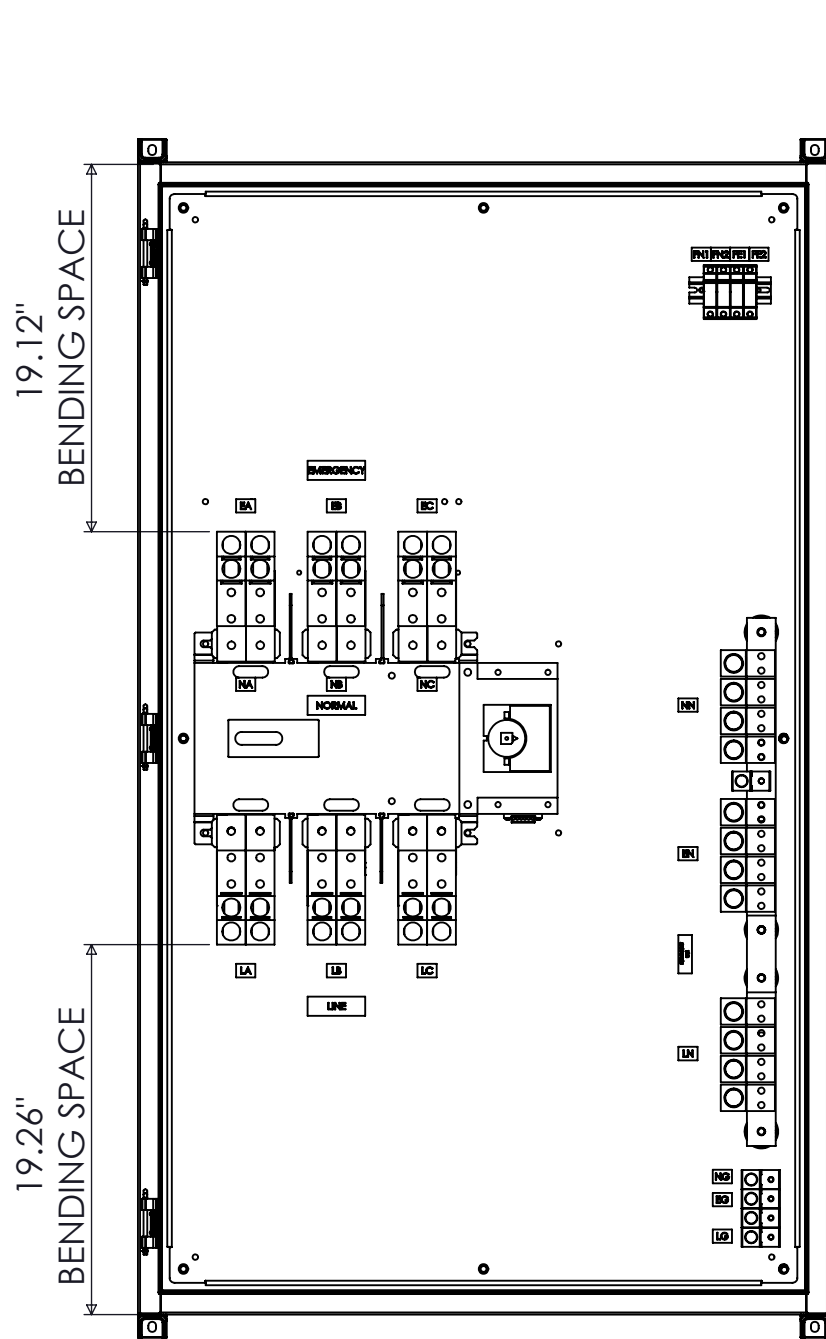


BOTTOM VIEW

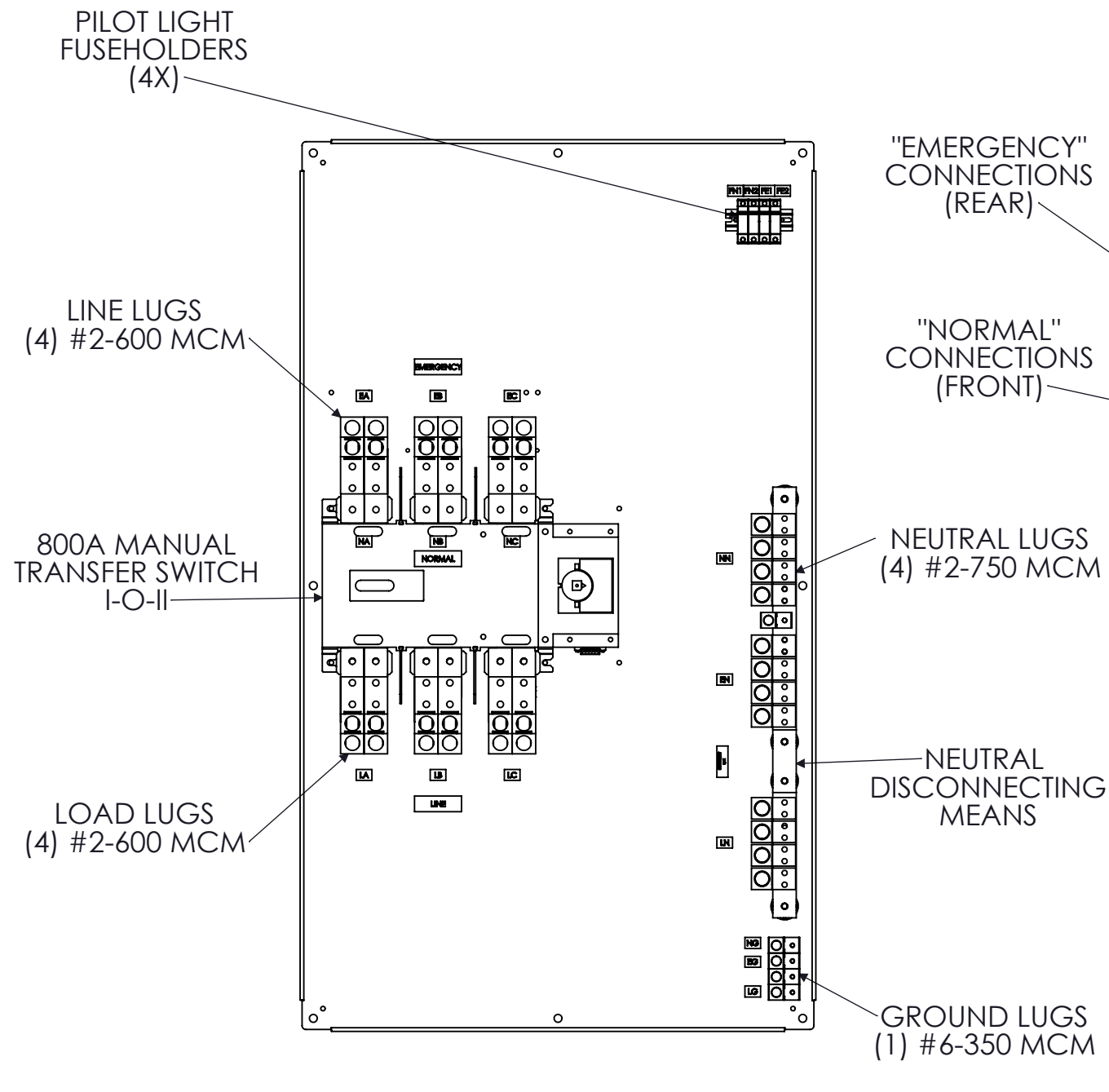
800A NON-FUSED 3-POLE NEMA 4X MANUAL TRANSFER SWITCH			
REV	DESCRIPTION	DATE	DRAWN S.RICHARDSON
0	ORIGINAL RELEASE	1/28/14	CHECKED
			SUP. NO
			SUP. BY NO
			PANEL NO
			BUIL. NO
			GROUP NO
			ORDER NO

 9900 TWIN LAKES PARKWAY  
 CHARLOTTE, NC 28269  
 704-596-5617  
 PSICONTROLSOLUTIONS.COM

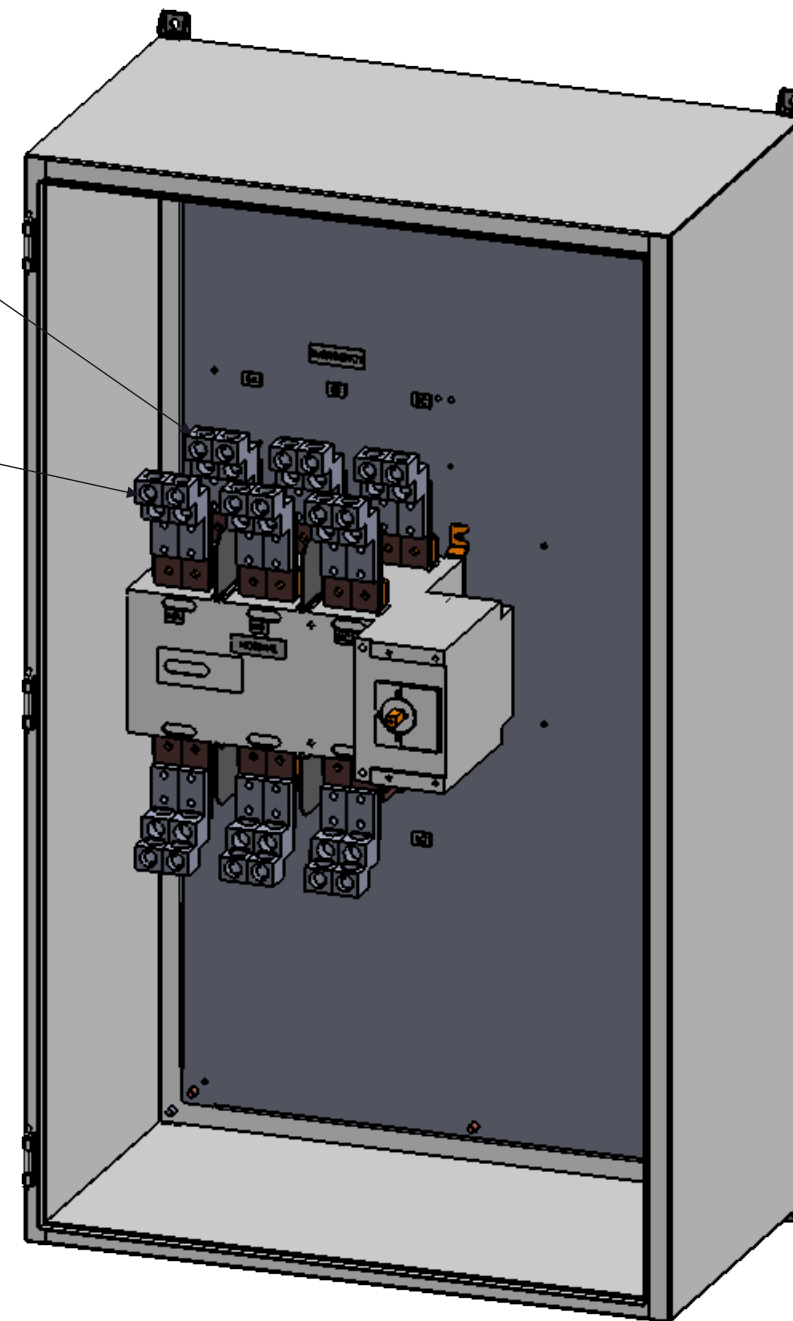
DRAWING TYPE  
**DIMENSIONAL**  
 DRAWING NUMBER  
**STS800N4XNF3**



FRONT VIEW  
DOOR REMOVED



FRONT VIEW  
ENCLOSURE REMOVED



DIMETRIC VIEW  
DOOR REMOVED

800A NON-FUSED 3-POLE NEMA 4X MANUAL TRANSFER SWITCH

REV	DESCRIPTION	DATE	DRAWN	S.RICHARDSON
0	ORIGINAL RELEASE	1/28/14	CHECKED	
			SUP. NO	DRAWING TYPE
			SUP. BY NO	OUTLINE
			PANEL NO	DRAWING NUMBER
			BUL. NO	STS800N4XNF3
			GROUP NO	
			ORDER NO	


 9900 TWIN LAKES PARKWAY  
 CHARLOTTE, NC 28269  
 704-596-5617  
 PSICONTROLSOLUTIONS.COM