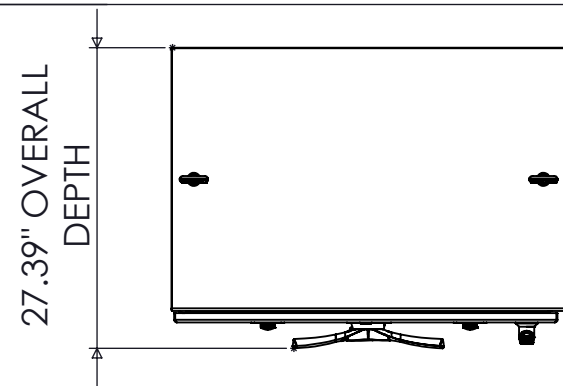


SPECIFICATIONS

MAX VOLTAGE - 600VAC 3 ϕ
 RATED CURRENT - 800 A
 STANDARDS - UL508A
 ENCLOSURE RATING - NEMA 4X
 TYPE 316 STAINLESS STEEL
 REF. ES100145BF
 DURABILITY - 3550 CYCLES
 EST SHIPPING WEIGHT - 650LBS



TOP VIEW

27.39" OVERALL DEPTH

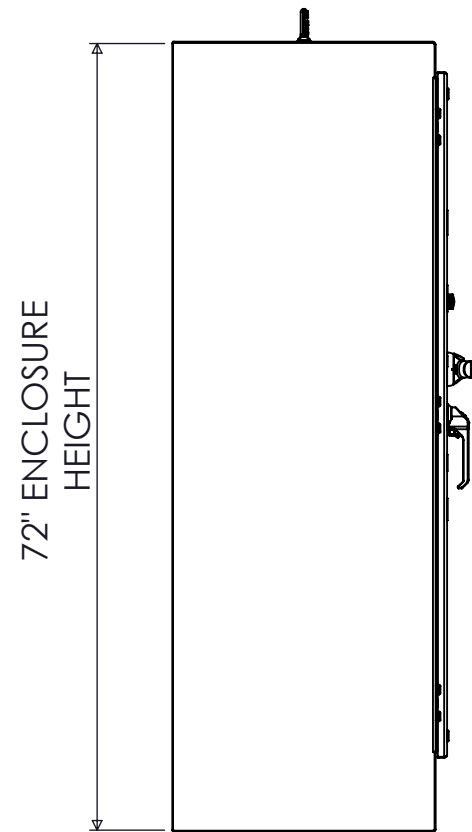
36" ENCLOSURE WIDTH

"NORMAL SUPPLY" (GREEN)

"EMERGENCY SUPPLY" (RED)

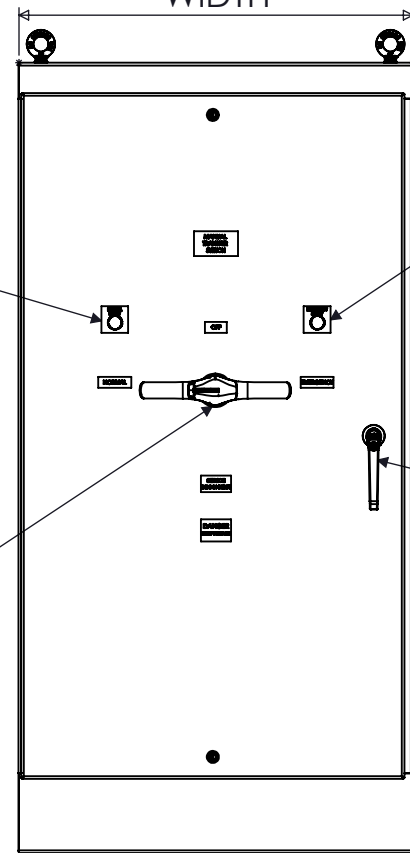
PADLOCKABLE HANDLE I-O-II

PADLOCKABLE DOOR HANDLE

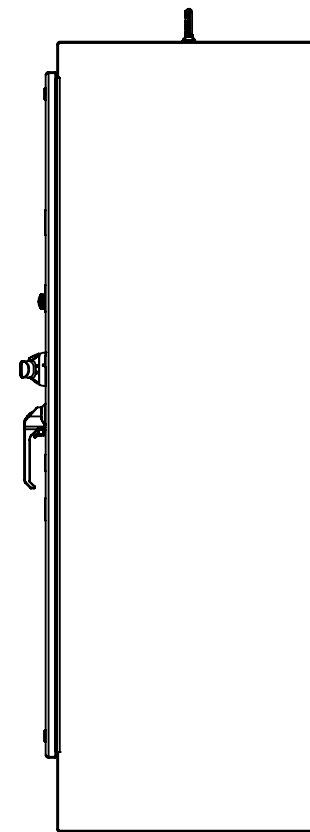


SIDE VIEW

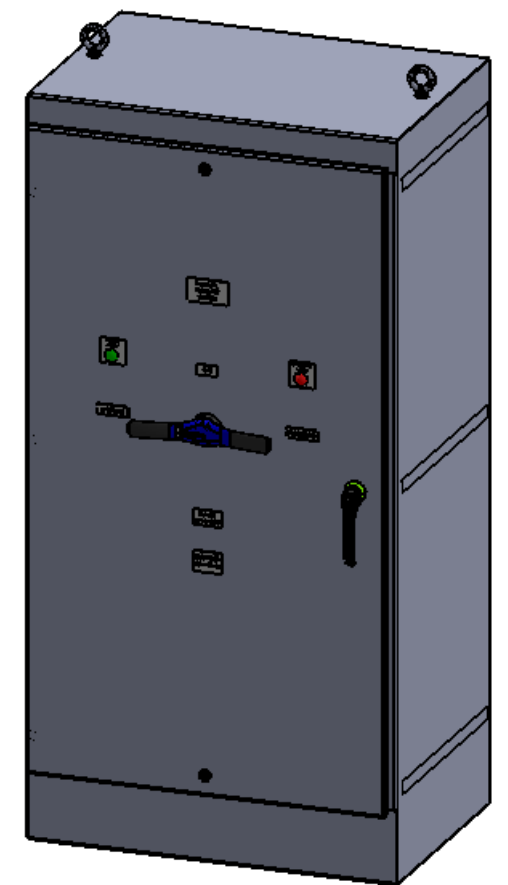
72" ENCLOSURE HEIGHT



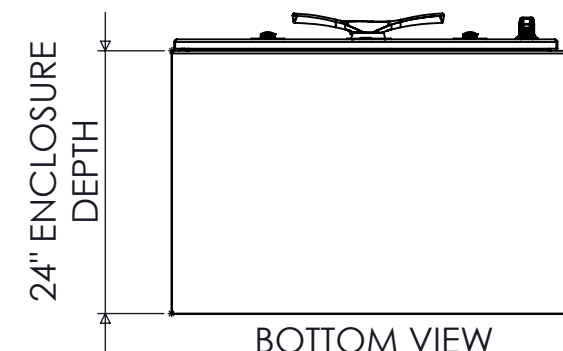
FRONT VIEW



SIDE VIEW



DIMETRIC VIEW



BOTTOM VIEW

24" ENCLOSURE DEPTH

800A FUSIBLE 3-POLE NEMA 4X MANUAL TRANSFER SWITCH

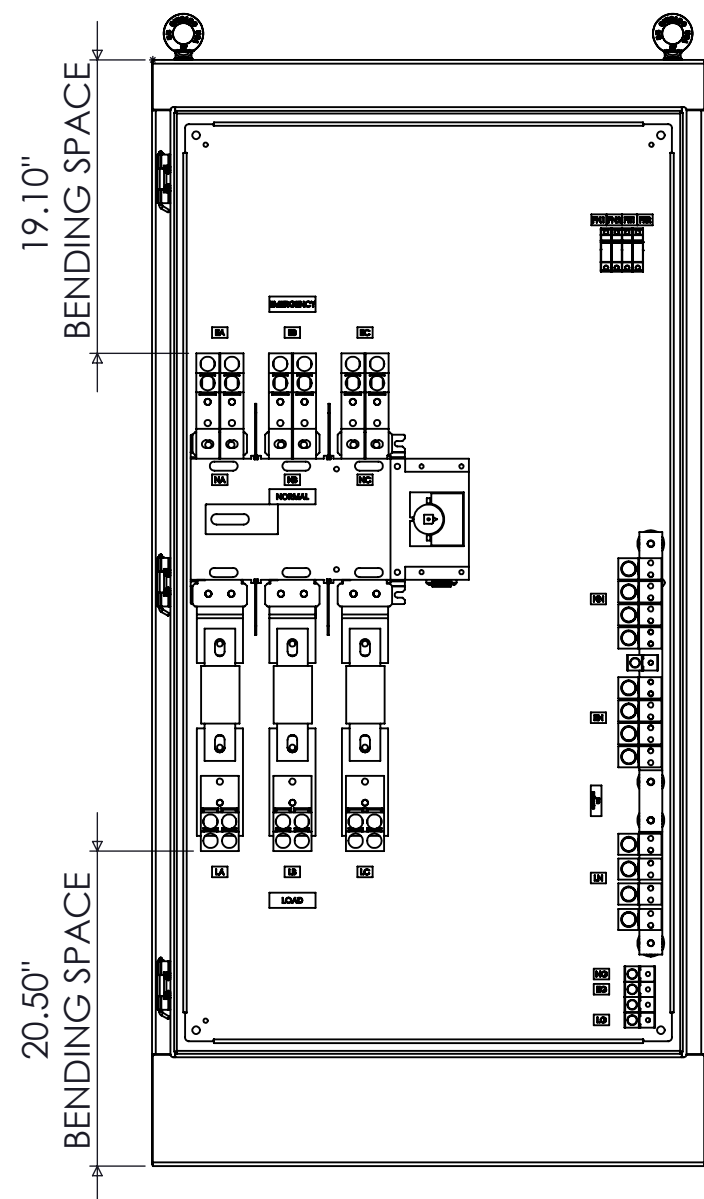
| REV | DESCRIPTION | DATE | DRAWN | S.RICHARDSON | CHECKED |
|-----|------------------|---------|-------|--------------|---------|
| 0 | ORIGINAL RELEASE | 1/30/14 | | | |
| | | | | SUP. NO | |
| | | | | SUP. BY NO | |
| | | | | PANEL NO | |
| | | | | BUL. NO | |
| | | | | GROUP NO | |
| | | | | ORDER NO | |

DRAWING TYPE
DIMENSIONAL

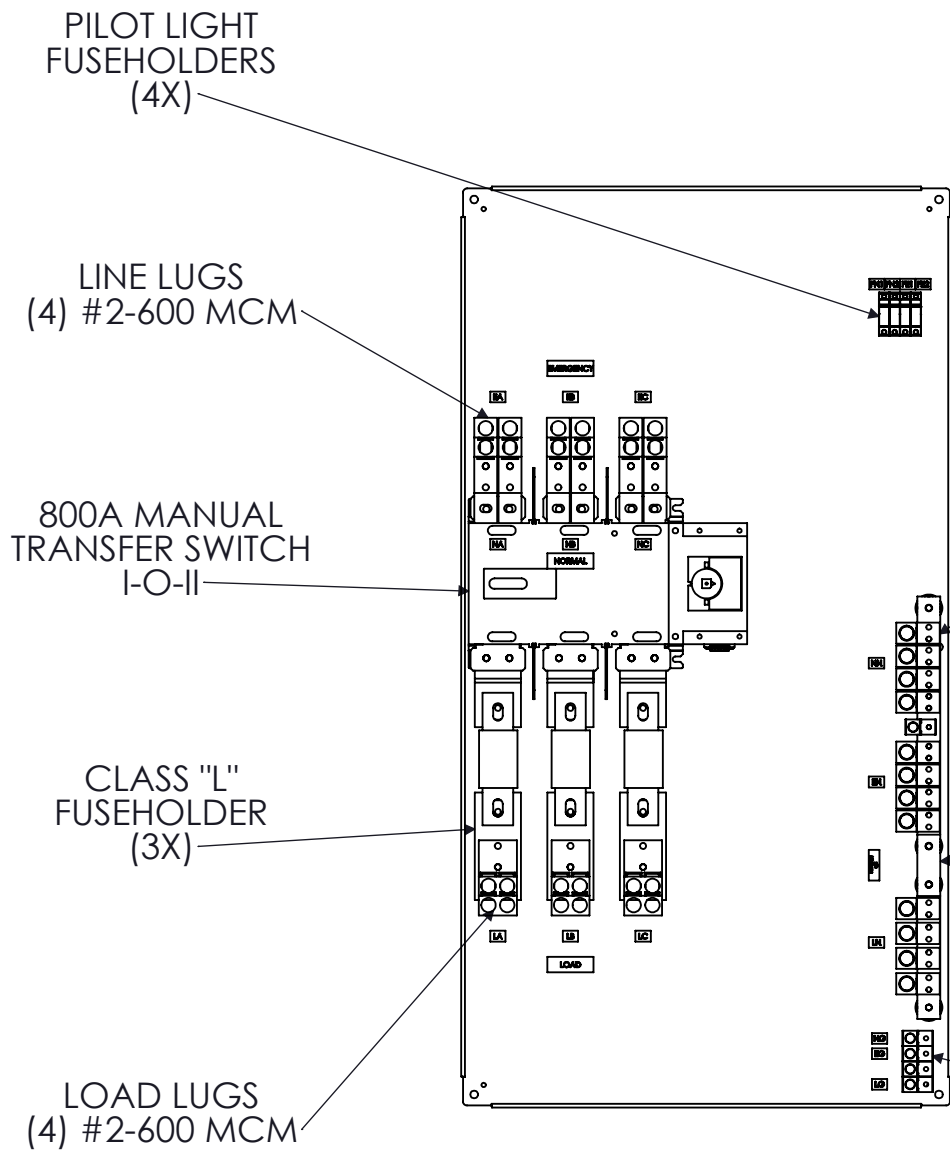
DRAWING NUMBER
STS800N4XBF3



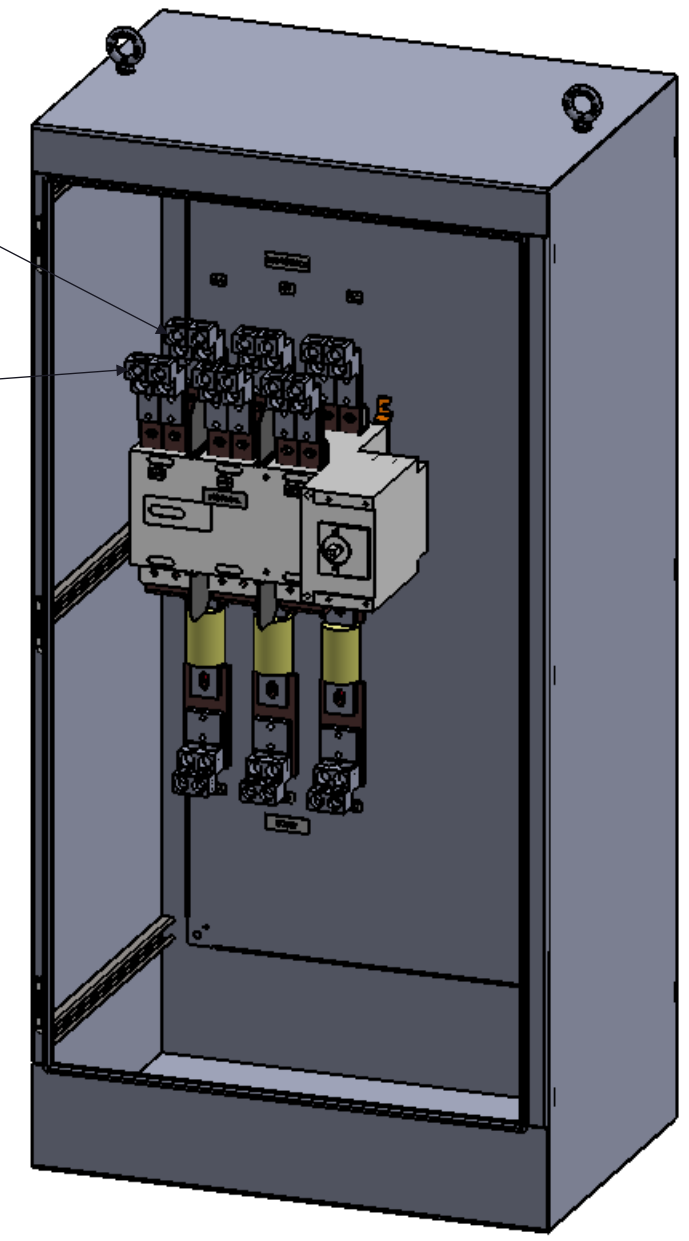
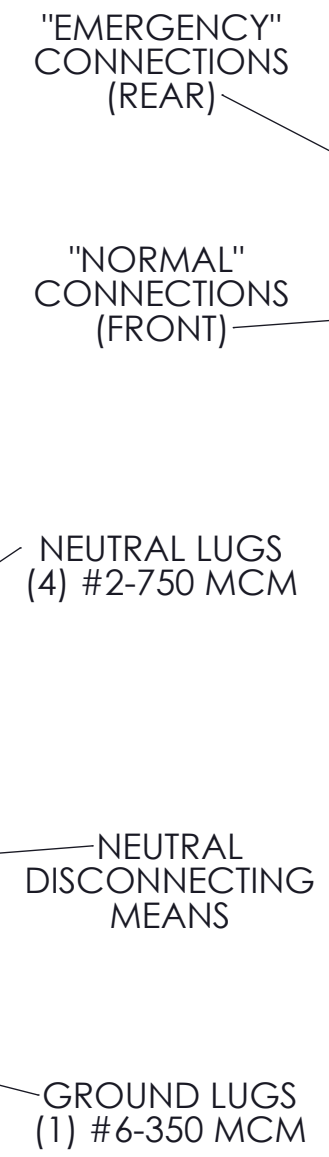
9900 TWIN LAKES PARKWAY
 CHARLOTTE, NC 28269
 704-596-5617
 PSICONTROLSOLUTIONS.COM



FRONT VIEW
DOOR REMOVED




FRONT VIEW
ENCLOSURE REMOVED



DIMETRIC VIEW
DOOR REMOVED

NOTE: FUSES PROVIDED IF PURCHASED
208-600VAC : KRP-C-800SP



9900 TWIN LAKES PARKWAY
CHARLOTTE, NC 28269
704-596-5617
PSICONTROLSOLUTIONS.COM

| 800A FUSIBLE 3-POLE NEMA 4X MANUAL TRANSFER SWITCH | | | | | |
|--|------------------|---------|-------|--------------|----------------|
| REV | DESCRIPTION | DATE | DRAWN | S.RICHARDSON | CHECKED |
| 0 | ORIGINAL RELEASE | 1/30/14 | | | |
| | | | | SUP. NO | |
| | | | | SUP. BY NO | |
| | | | | PANEL NO | |
| | | | | BUL. NO | |
| | | | | GROUP NO | |
| | | | | ORDER NO | |
| | | | | | DRAWING TYPE |
| | | | | | OUTLINE |
| | | | | | DRAWING NUMBER |
| | | | | | STS800N4XBF3 |