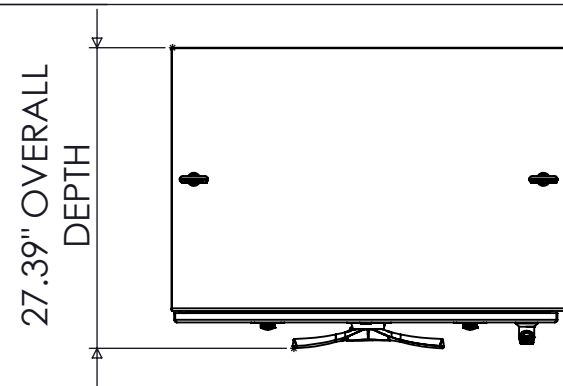
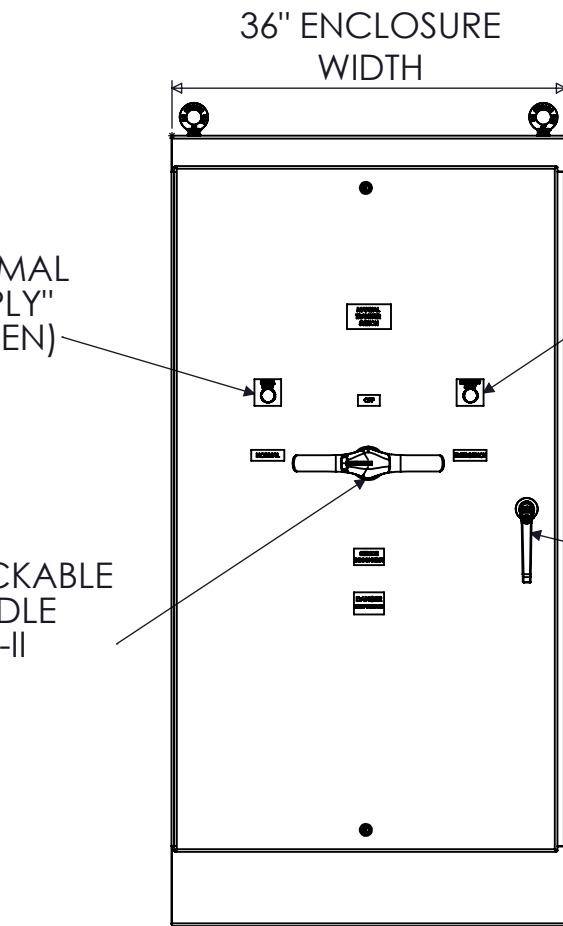


**SPECIFICATIONS**

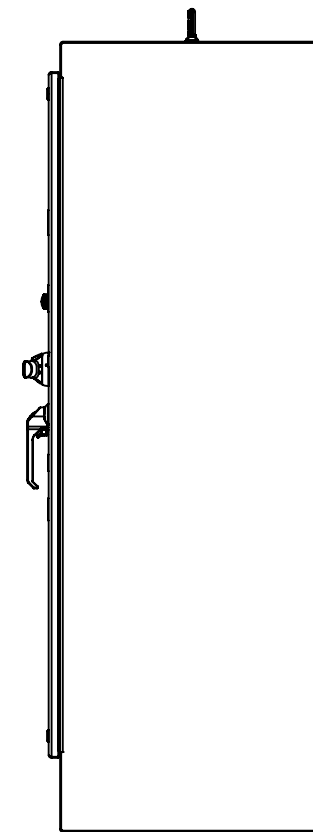
MAX VOLTAGE - 600VAC 3 $\phi$   
 RATED CURRENT - 800 A  
 STANDARDS - UL508A  
 ENCLOSURE RATING - NEMA 1  
 REF. ES100145BF  
 DURABILITY - 3550 CYCLES  
 EST SHIPPING WEIGHT - 650LBS



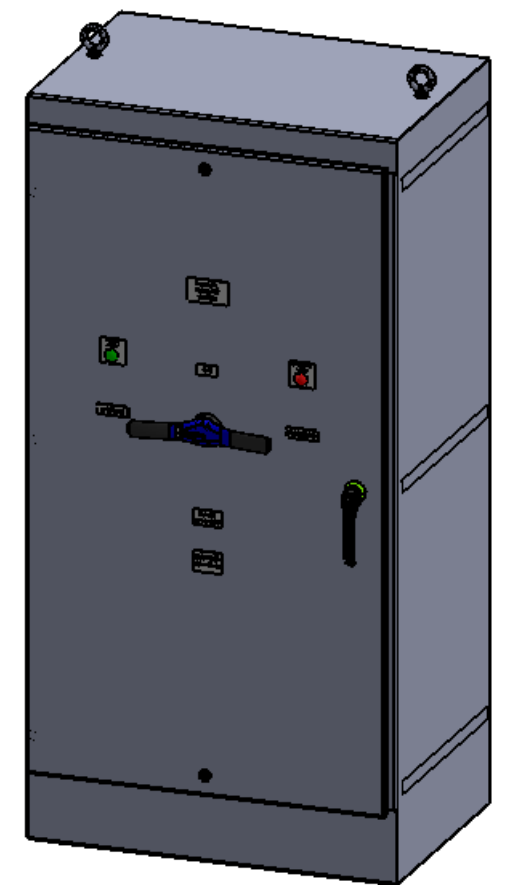
TOP VIEW



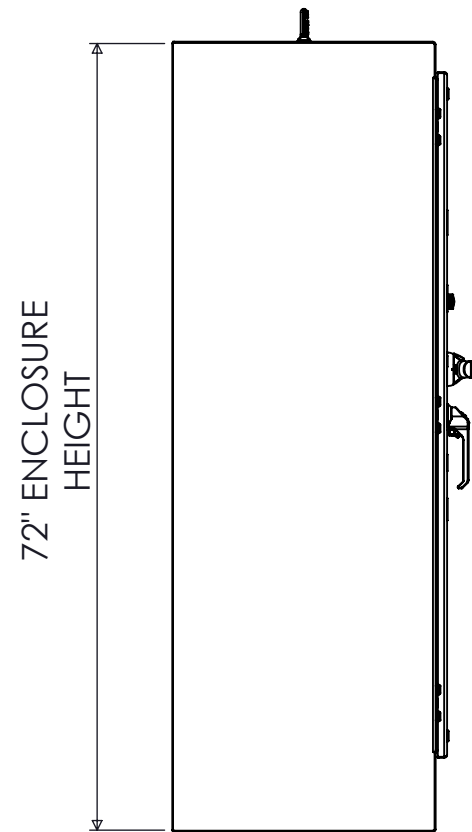
FRONT VIEW



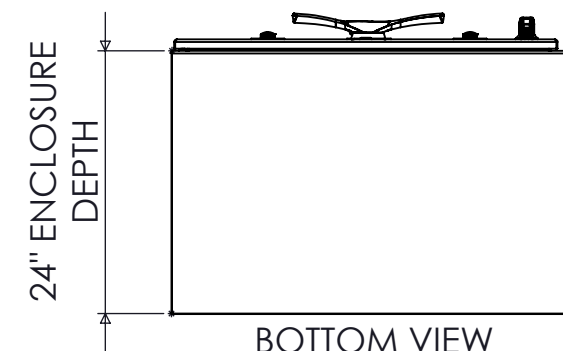
SIDE VIEW



DIMETRIC VIEW



SIDE VIEW



BOTTOM VIEW

72" ENCLOSURE HEIGHT

27.39" OVERALL DEPTH

36" ENCLOSURE WIDTH

"NORMAL SUPPLY" (GREEN)

"EMERGENCY SUPPLY" (RED)

PADLOCKABLE HANDLE I-O-II

PADLOCKABLE DOOR HANDLE

24" ENCLOSURE DEPTH

**800A FUSIBLE 3-POLE NEMA 1 MANUAL TRANSFER SWITCH**

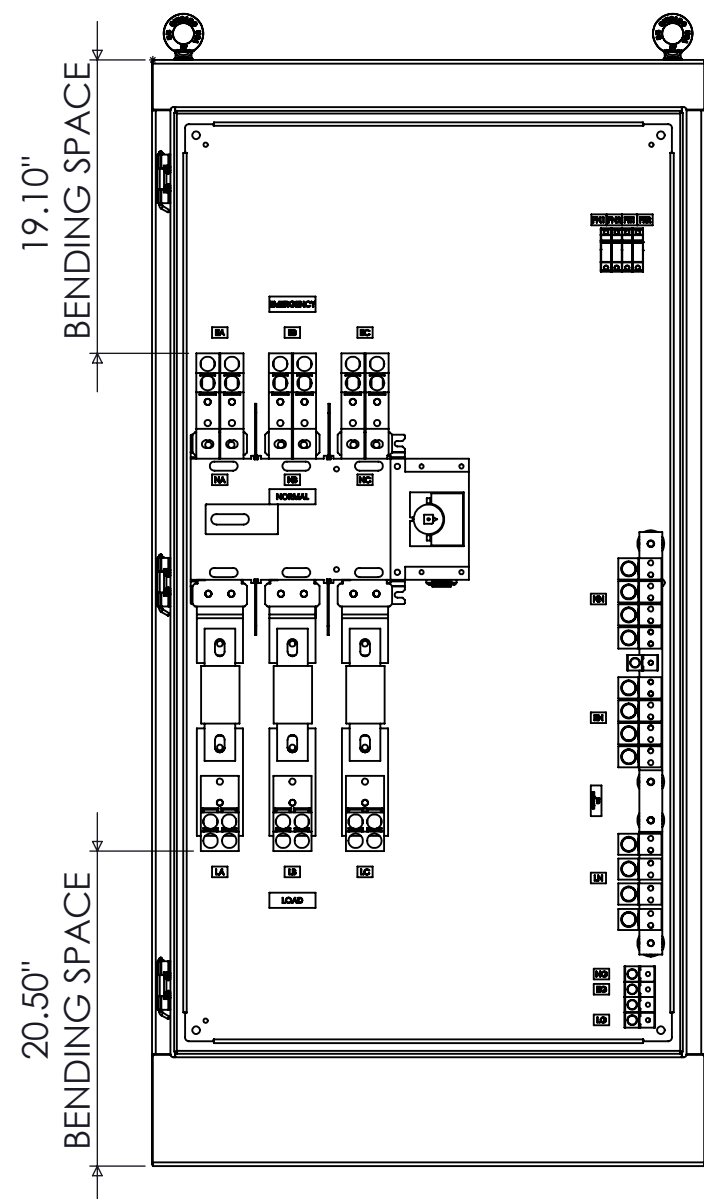
REV	DESCRIPTION	DATE	DRAWN	S.RICHARDSON
0	ORIGINAL RELEASE	1/30/14	CHECKED	
			SUP. NO	
			SUP. BY NO	
			PANEL NO	
			BUL. NO	
			GROUP NO	
			ORDER NO	

DRAWING TYPE  
**DIMENSIONAL**

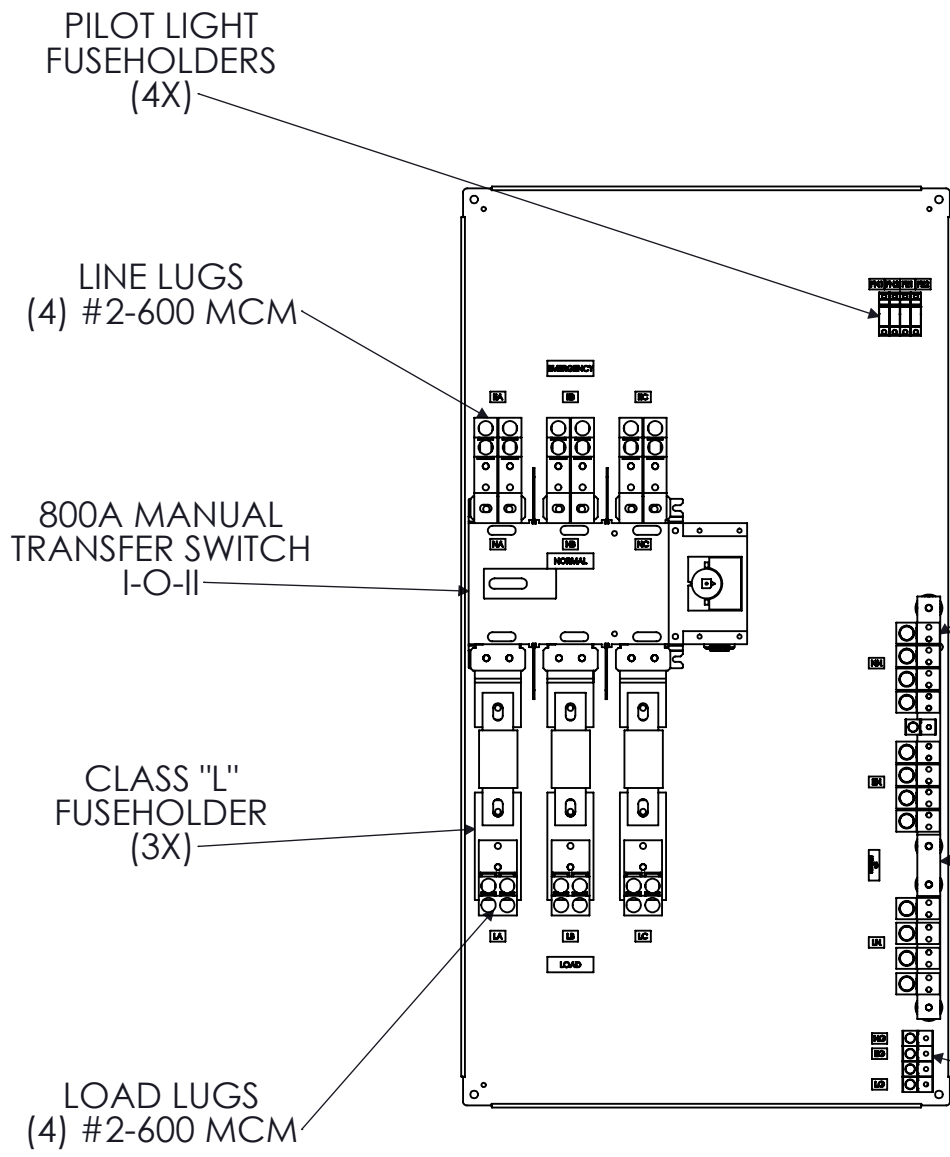
DRAWING NUMBER  
**STS800N1BF3**



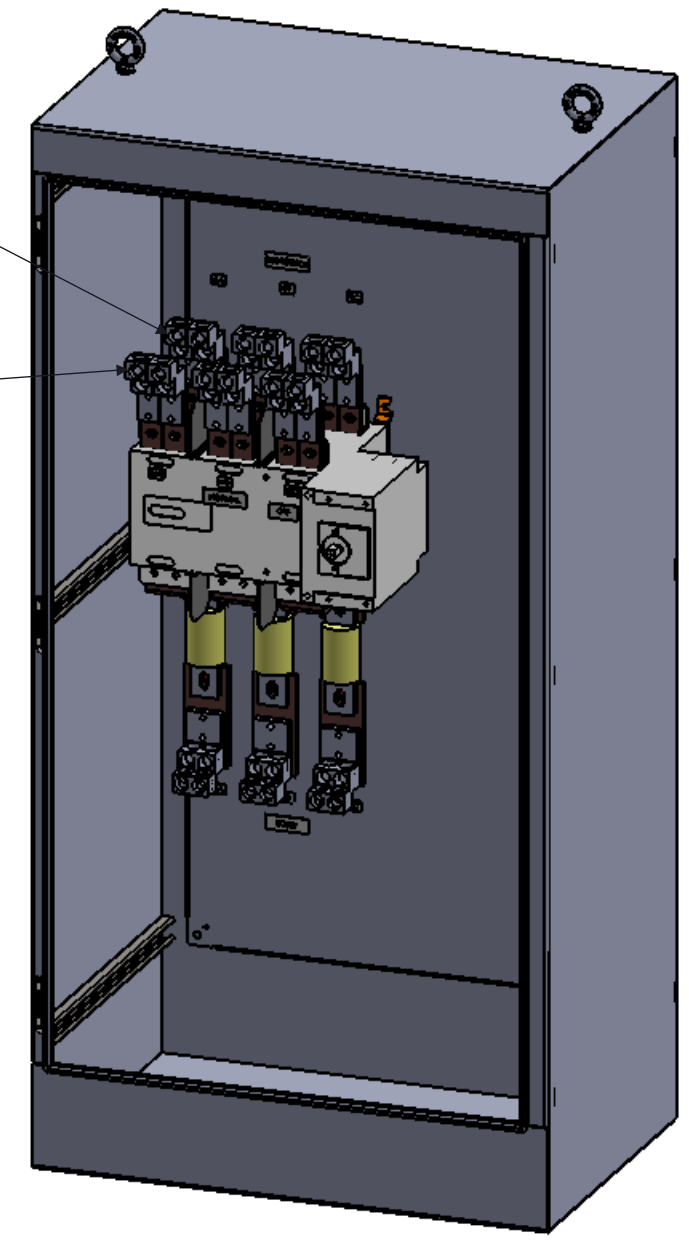
9900 TWIN LAKES PARKWAY  
 CHARLOTTE, NC 28269  
 704-596-5617  
 PSICONTROLSOLUTIONS.COM



FRONT VIEW  
DOOR REMOVED



FRONT VIEW  
ENCLOSURE REMOVED



DIMETRIC VIEW  
DOOR REMOVED

NOTE: FUSES PROVIDED IF PURCHASED  
208-600VAC : KRP-C-800SP



9900 TWIN LAKES PARKWAY  
CHARLOTTE, NC 28269  
704-596-5617  
PSICONTROLSOLUTIONS.COM

800A FUSIBLE 3-POLE NEMA 1 MANUAL TRANSFER SWITCH

REV	DESCRIPTION	DATE	DRAWN	S.RICHARDSON	CHECKED
0	ORIGINAL RELEASE	1/30/14			
				SUP. NO	
				SUP. BY NO	
				PANEL NO	
				BUL. NO	
				GROUP NO	
				ORDER NO	

DRAWING TYPE  
**OUTLINE**

DRAWING NUMBER  
**STS800N1BF3**