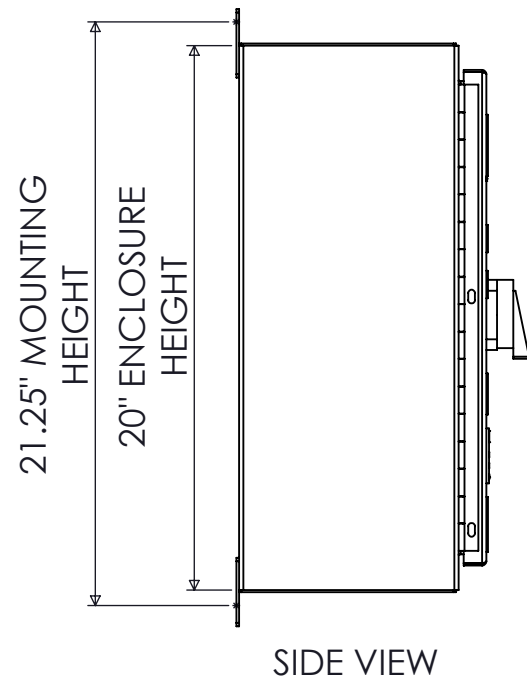
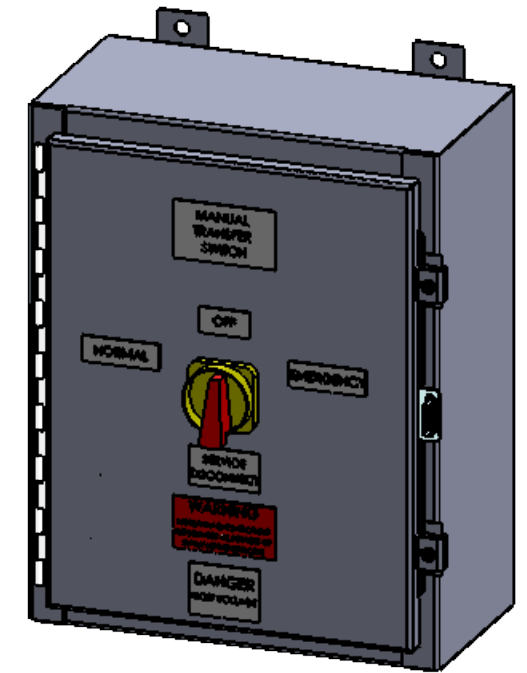
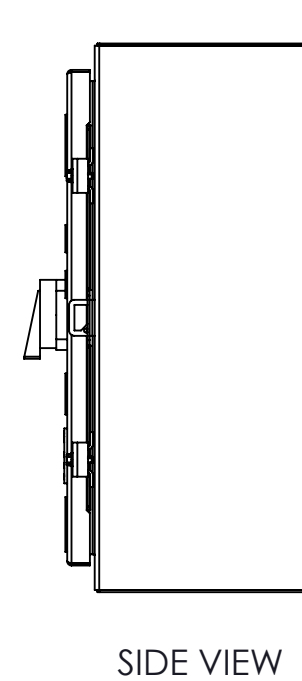
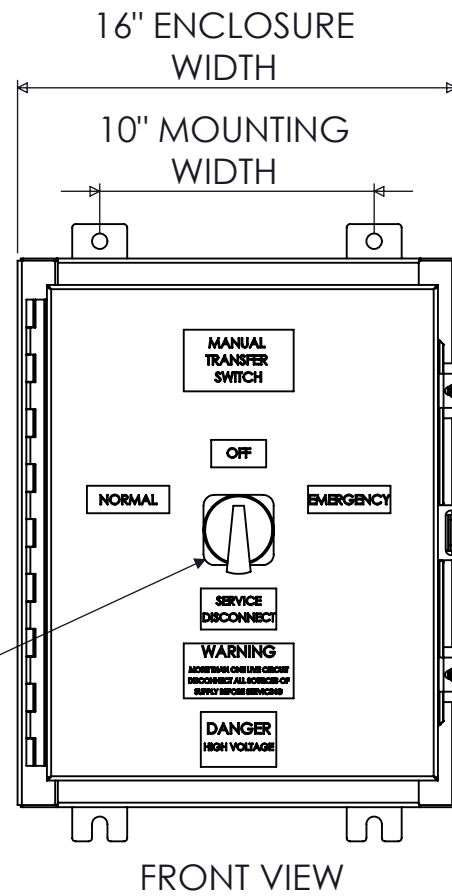
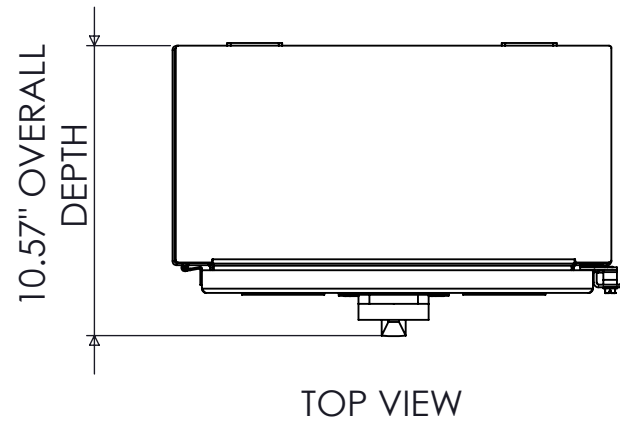
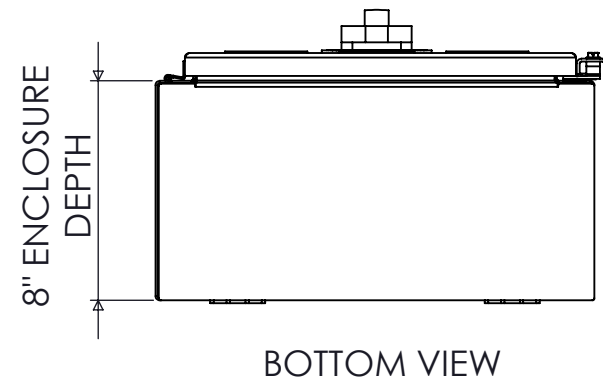


SPECIFICATIONS

MAX VOLTAGE - 600VAC 3 ϕ
 RATED CURRENT - 60 A
 STANDARDS - UL508A
 ENCLOSURE RATING - NEMA 4X
 316 STAINLESS STEEL
 REF. ES100145SE3
 DURABILITY - 100,000 CYCLES
 EST SHIPPING WEIGHT - 60LBS



PADLOCKABLE HANDLE I-O-II



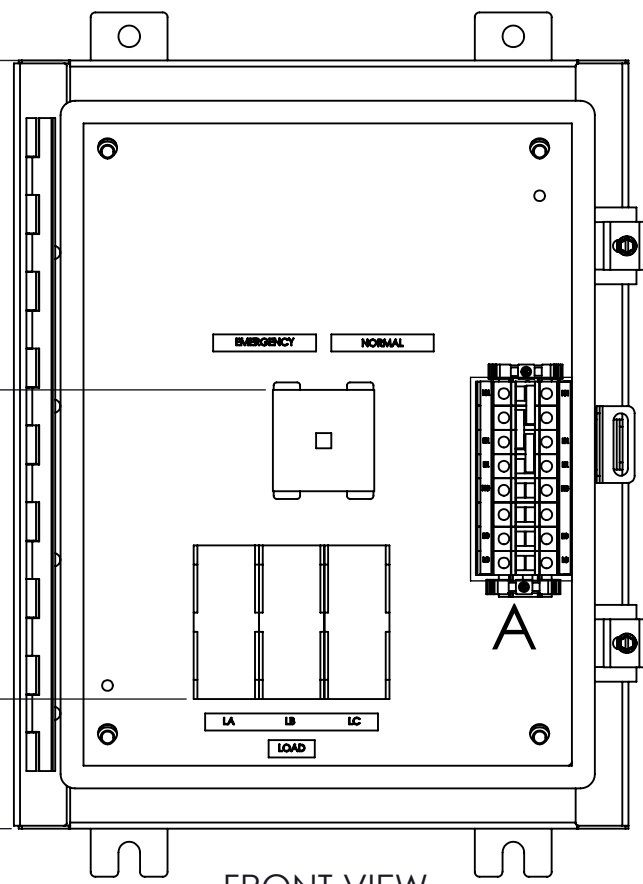
 9900 TWIN LAKES PARKWAY
 CHARLOTTE, NC 28269
 704-596-5617
 PSICONTROLSOLUTIONS.COM

60A SERVICE-RATED 3-POLE NEMA 4X MANUAL TRANSFER SWITCH			
REV	DESCRIPTION	DATE	DRAWN S.RICHARDSON
0	ORIGINAL RELEASE	7/24/14	CHECKED
			SUP. NO
			SUP. BY NO
			PANEL NO
			BUL. NO
			GROUP NO
			ORDER NO

DRAWING TYPE	DIMENSIONAL
DRAWING NUMBER	STS60N4XSE3

3.10"
ALLOW 3" MINIMUM
BENDING SPACE

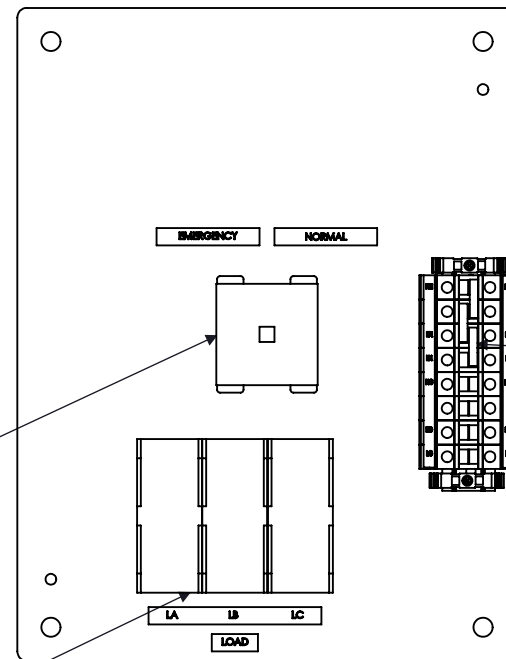
3.38"
ALLOW 3" MINIMUM
BENDING SPACE



FRONT VIEW
DOOR REMOVED

60A MANUAL
TRANSFER SWITCH
I-O-II

60A
FUSEBLOCK
(1) #14-1/0 AWG



FRONT VIEW
ENCLOSURE REMOVED

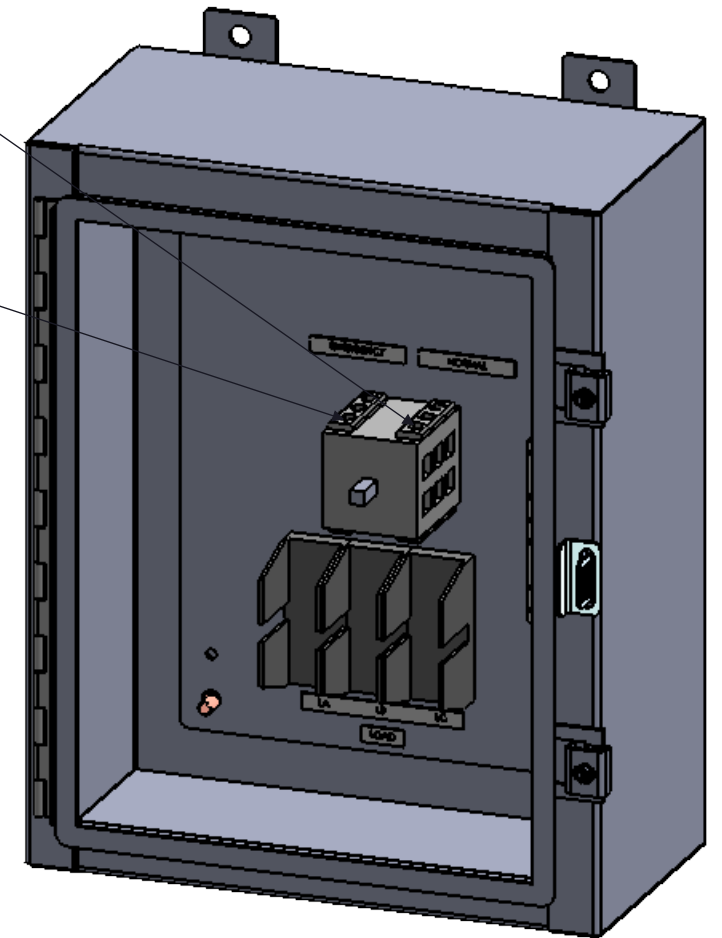
"NORMAL"
CONNECTIONS
(1) #14-1/0 AWG

"EMERGENCY"
CONNECTIONS
(1) #14-1/0 AWG

NEUTRAL
CONNECTIONS
(1) #14-1/0 AWG

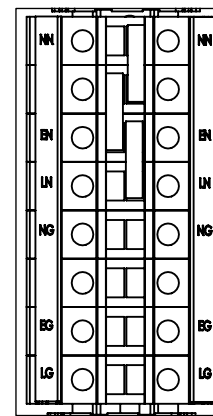
NEUTRAL
DISCONNECTING
MEANS

GROUND
CONNECTIONS
(1) #14-1/0 AWG



DIMETRIC VIEW
DOOR REMOVED

NN
EN
LN
NG
EG
LG



TERMINAL
LAYOUT
"A"

NOTE: FUSES PROVIDED IF PURCHASED
208-240VAC : FRN-R-60
480VAC : LPJ-60SP

60A SERVICE-RATED 3-POLE NEMA 4X MANUAL TRANSFER SWITCH

REV	DESCRIPTION	DATE	DRAWN	S.RICHARDSON	
0	ORIGINAL RELEASE	7/24/14	CHECKED		
			SUP. NO		DRAWING TYPE
			SUP. BY NO		OUTLINE
			PANEL NO		DRAWING NUMBER
			BUL. NO		STS60N4XSE3
			GROUP NO		
			ORDER NO		


 9900 TWIN LAKES PARKWAY
 CHARLOTTE, NC 28269
 704-596-5617
 PSICONTROLSOLUTIONS.COM