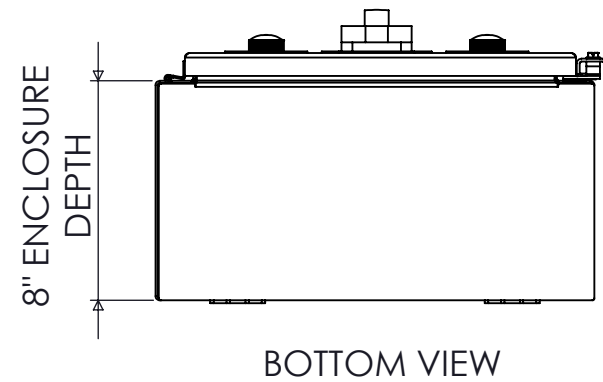
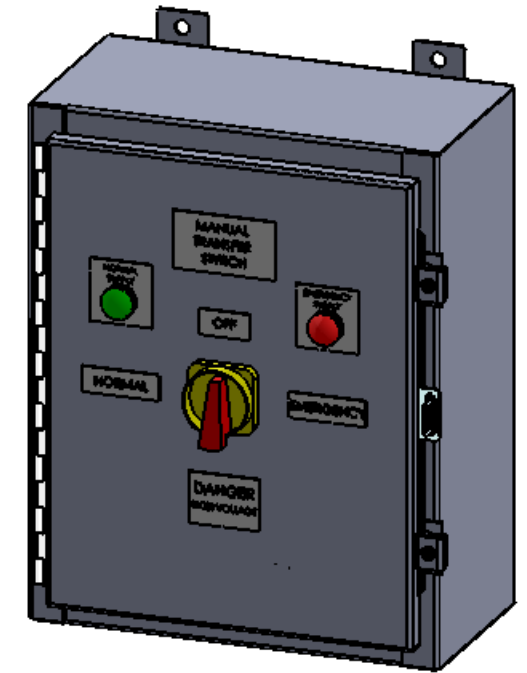
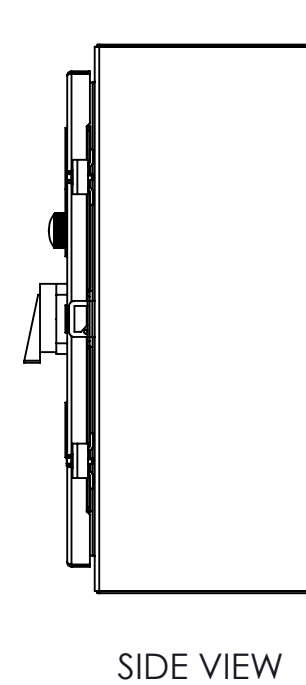
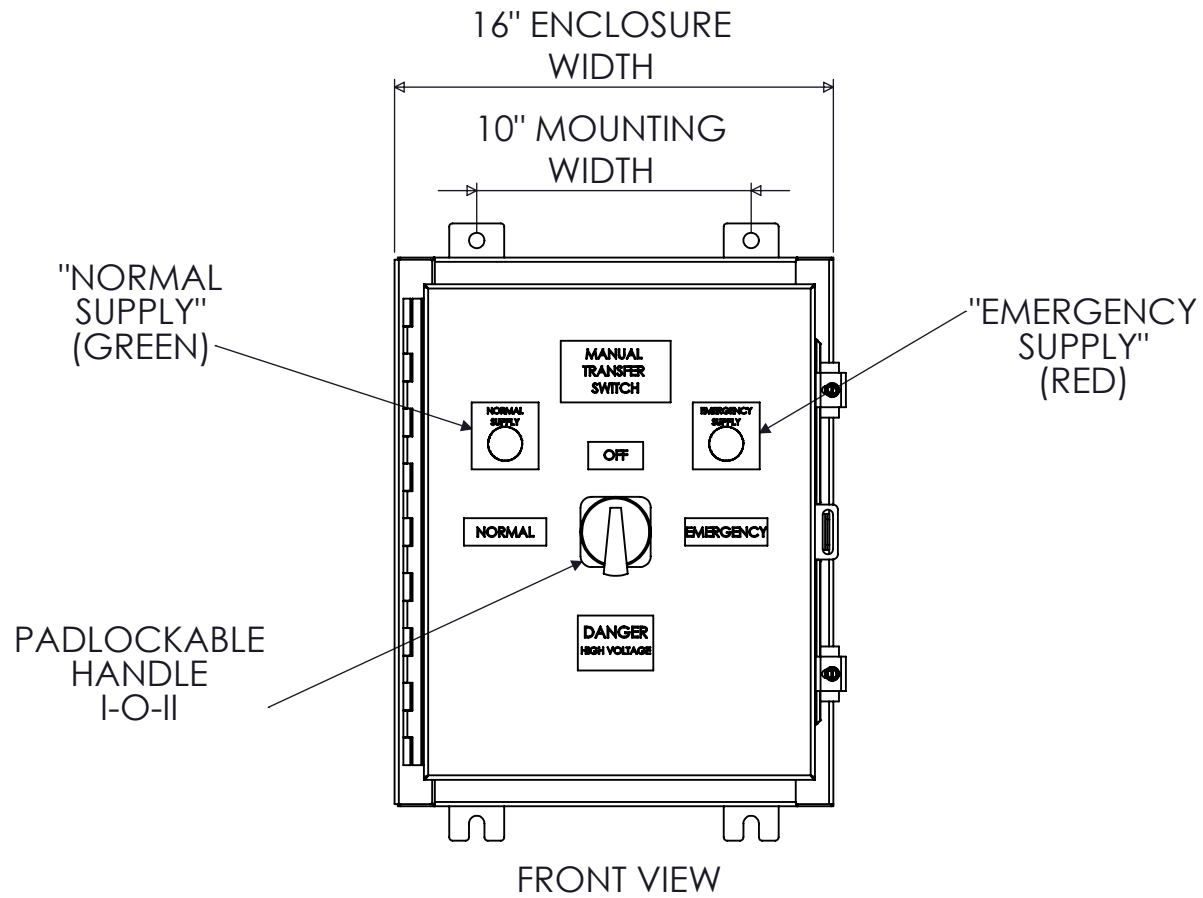
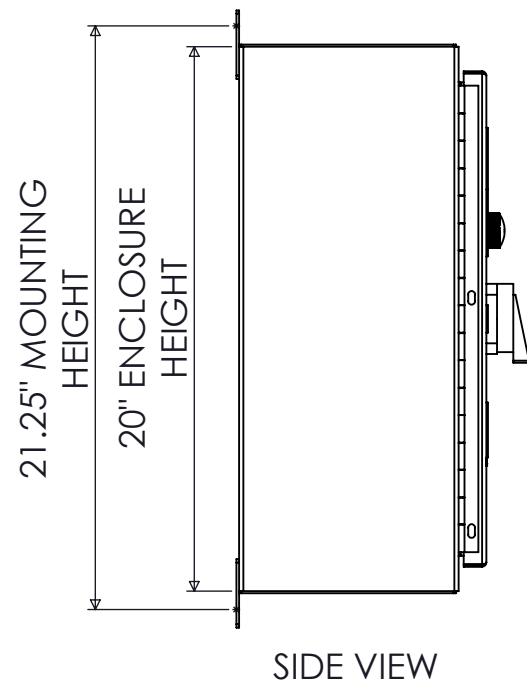
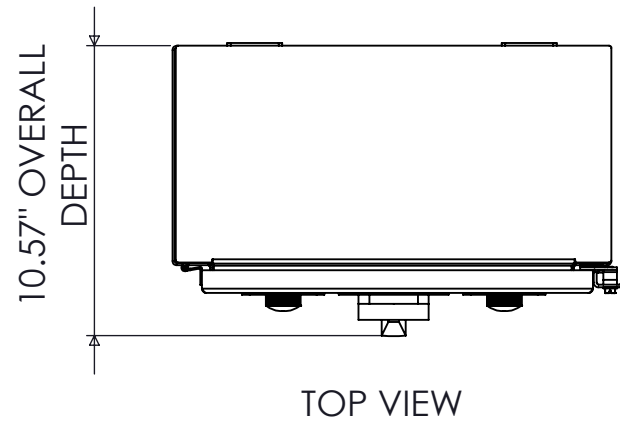


SPECIFICATIONS

MAX VOLTAGE - 600VAC 3 ϕ
 RATED CURRENT - 60 A
 STANDARDS - UL508A
 ENCLOSURE RATING - NEMA 4X
 REF. ES100145NF
 DURABILITY - 100,000 CYCLES
 EST SHIPPING WEIGHT - 50LBS

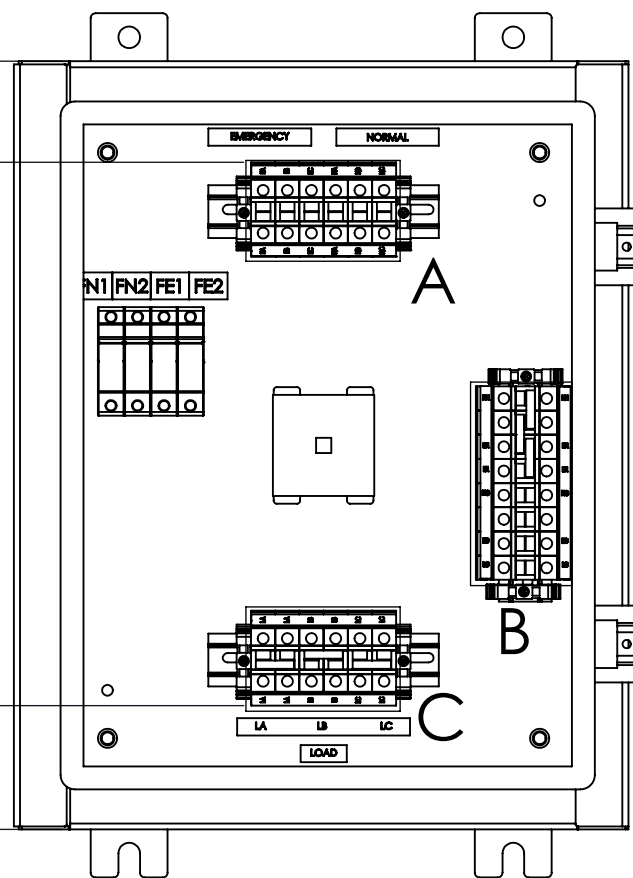


 9900 TWIN LAKES PARKWAY
 CHARLOTTE, NC 28269
 704-596-5617
 PSICONTROLSOLUTIONS.COM

60A NON-FUSED 3-POLE NEMA 4X MANUAL TRANSFER SWITCH			
REV	DESCRIPTION	DATE	DRAWN S.RICHARDSON
0	ORIGINAL RELEASE	7/24/14	CHECKED
			SUP. NO
			SUP. BY NO
			PANEL NO
			BUL. NO
			GROUP NO
			ORDER NO

DRAWING TYPE	DIMENSIONAL
DRAWING NUMBER	STS60N4XNF3

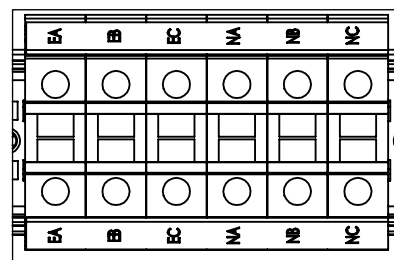
3.10"
ALLOW 3" MINIMUM
BENDING SPACE



FRONT VIEW
DOOR REMOVED

3.23"
ALLOW 3" MINIMUM
BENDING SPACE

EA EB EC NA NB NC



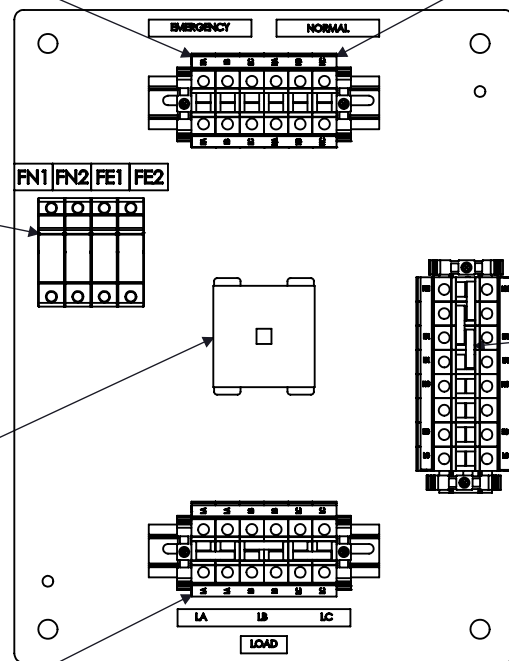
TERMINAL
LAYOUT
"A"

"EMERGENCY"
CONNECTIONS
(1) #14-1/0 AWG

PILOT LIGHT
FUSEHOLDERS
4X

60A MANUAL
TRANSFER SWITCH
I-O-II

LOAD TERMINALS
(2) #14-1/0 AWG



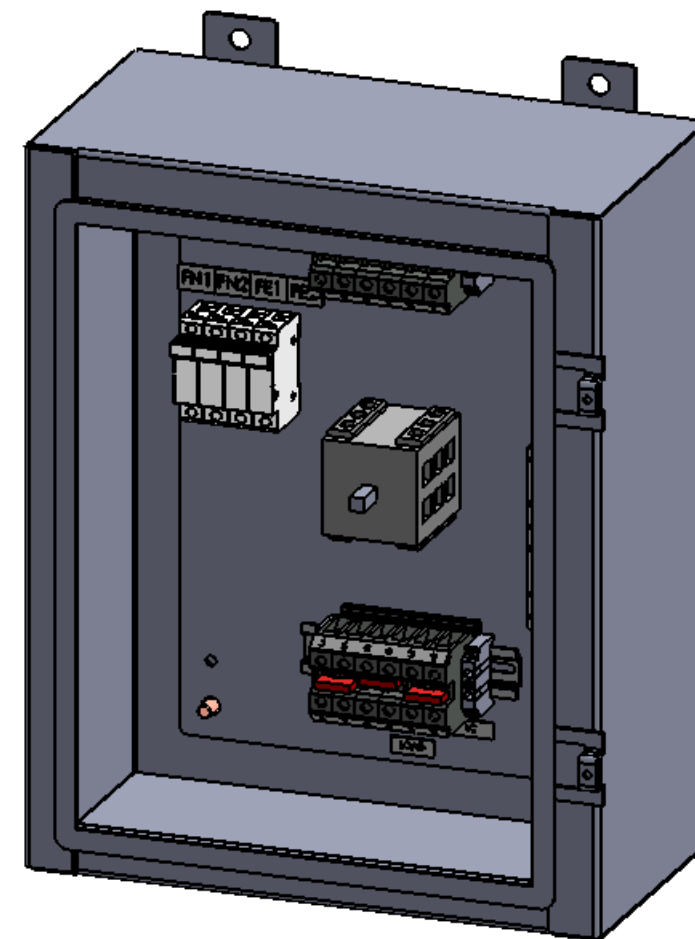
FRONT VIEW
ENCLOSURE REMOVED

"NORMAL"
CONNECTIONS
(1) #14-1/0 AWG

NEUTRAL
CONNECTIONS
(1) #14-1/0 AWG

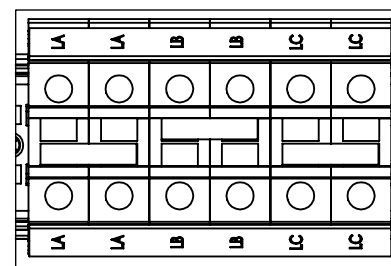
NEUTRAL
DISCONNECTING
MEANS

GROUND
CONNECTIONS
(1) #14-1/0 AWG



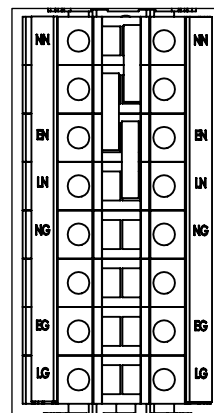
DIMETRIC VIEW
DOOR REMOVED

LA LA LB LB LC LC



TERMINAL
LAYOUT
"C"

NN
EN
LN
NG
EG
LG



TERMINAL
LAYOUT
"B"



9900 TWIN LAKES PARKWAY
CHARLOTTE, NC 28269
704-596-5617
PSICONTROLSOLUTIONS.COM

60A NON-FUSED 3-POLE NEMA 4X MANUAL TRANSFER SWITCH

REV	DESCRIPTION	DATE	DRAWN	S.RICHARDSON
0	ORIGINAL RELEASE	7/24/14	CHECKED	
			SUP. NO	
			SUP. BY NO	
			PANEL NO	
			BUL. NO	
			GROUP NO	
			ORDER NO	

DRAWING TYPE
OUTLINE

DRAWING NUMBER

STS60N4XNF3