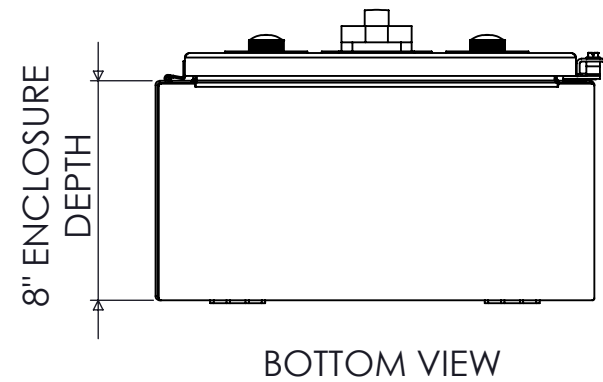
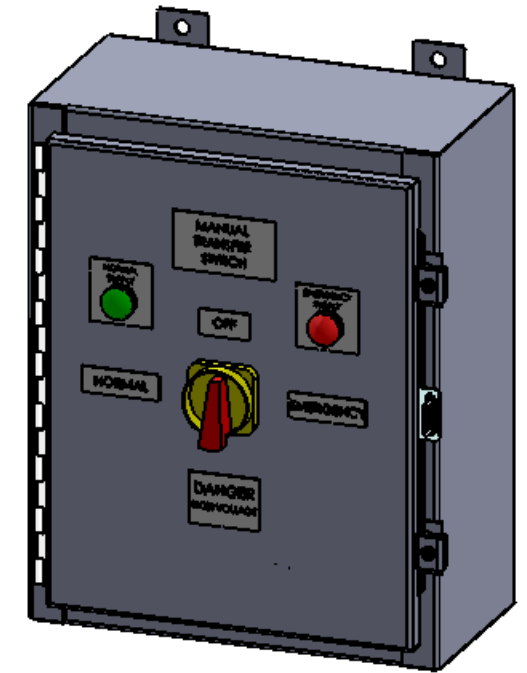
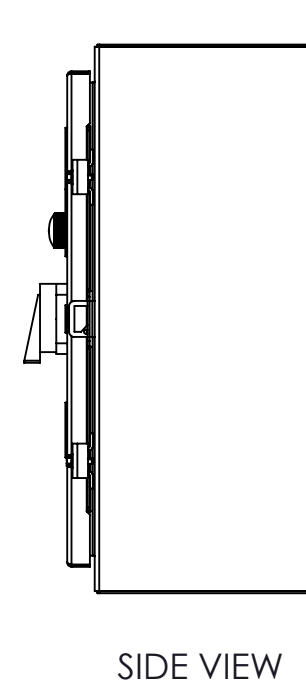
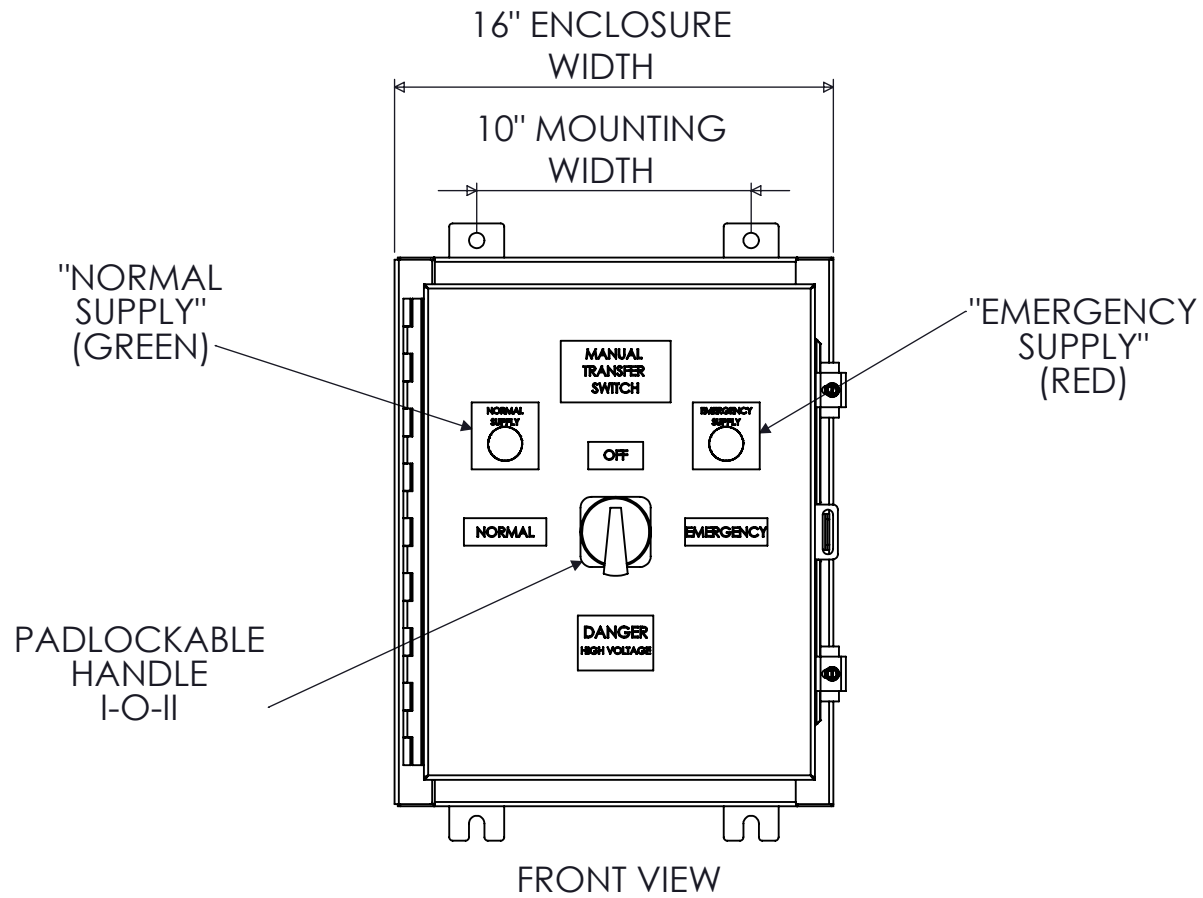
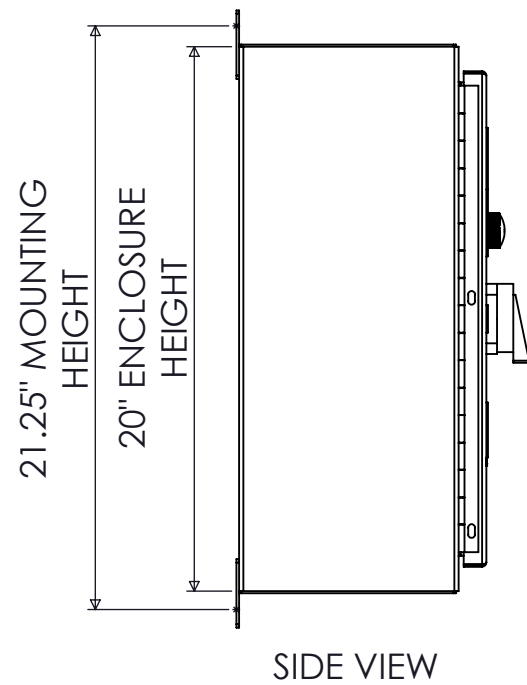
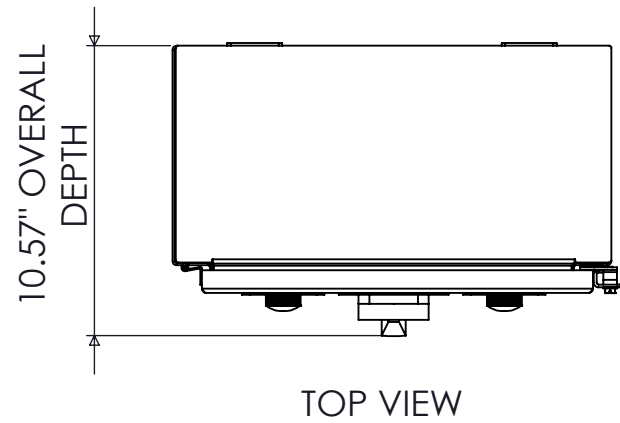


SPECIFICATIONS

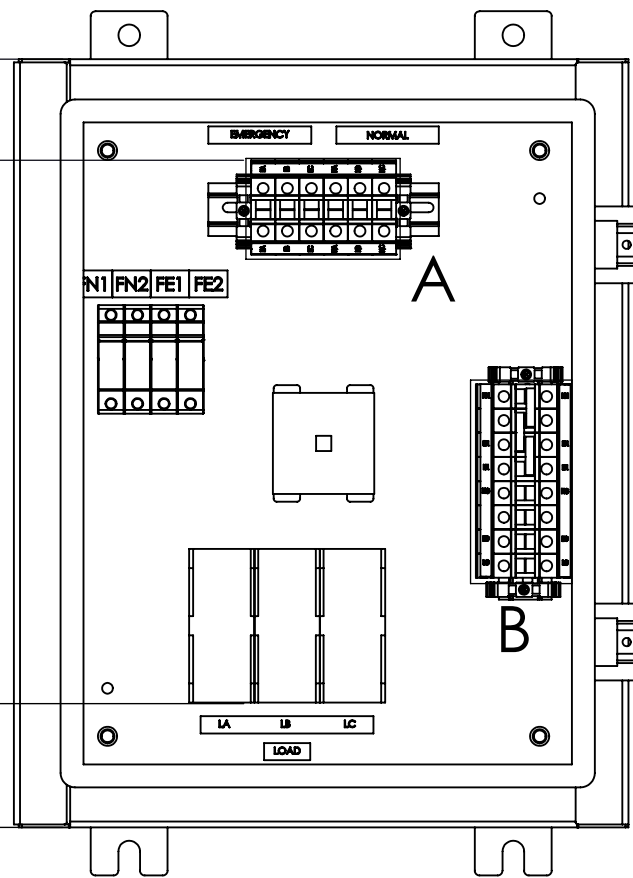
MAX VOLTAGE - 600VAC 3 ϕ
 RATED CURRENT - 60 A
 STANDARDS - UL508A
 ENCLOSURE RATING - NEMA 4X
 REF. ES100145BF
 DURABILITY - 100,000 CYCLES
 EST SHIPPING WEIGHT - 50LBS



60A FUSIBLE 3-POLE NEMA 4X MANUAL TRANSFER SWITCH					
REV	DESCRIPTION	DATE	DRAWN	S.RICHARDSON	
0	ORIGINAL RELEASE	7/24/14	CHECKED		
			SUP. NO	DRAWING TYPE	
			SUP. BY NO	DIMENSIONAL	
			PANEL NO	DRAWING NUMBER	
			BUL. NO	STS60N4XBF3	
			GROUP NO		
			ORDER NO		

 9900 TWIN LAKES PARKWAY
 CHARLOTTE, NC 28269
 704-596-5617
 PSICONTROLSOLUTIONS.COM

3.10"
ALLOW 3" MINIMUM
BENDING SPACE



FRONT VIEW
DOOR REMOVED

"EMERGENCY"
CONNECTIONS
(1) #14-1/0 AWG

PILOT LIGHT
FUSEHOLDERS
4X

60A MANUAL
TRANSFER SWITCH
I-O-II

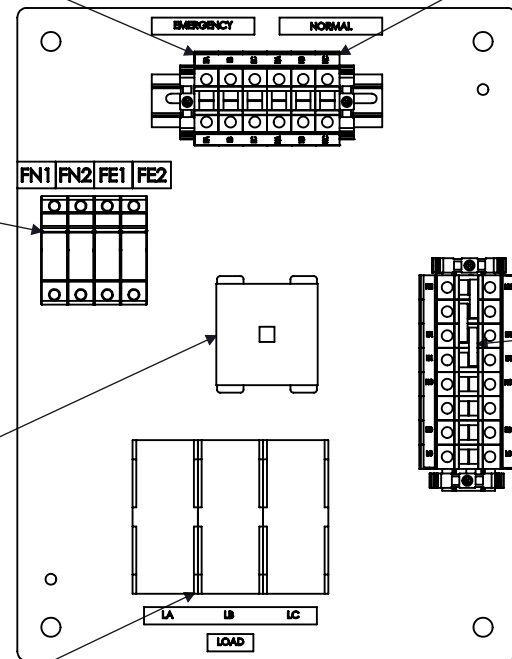
60A
FUSEBLOCK
(1) #14-1/0 AWG

"NORMAL"
CONNECTIONS
(1) #14-1/0 AWG

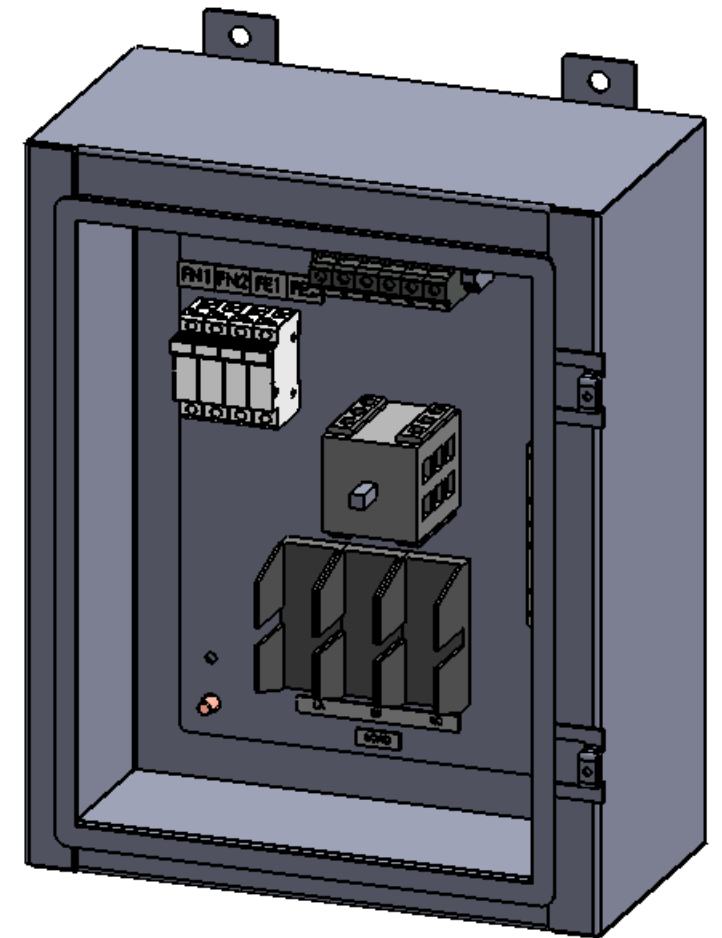
NEUTRAL
CONNECTIONS
(1) #14-1/0 AWG

NEUTRAL
DISCONNECTING
MEANS

GROUND
CONNECTIONS
(1) #14-1/0 AWG

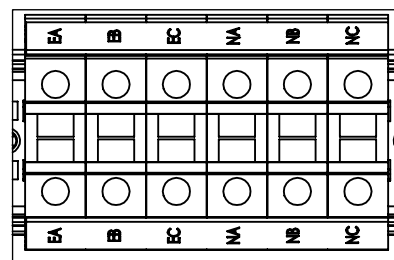


FRONT VIEW
ENCLOSURE REMOVED



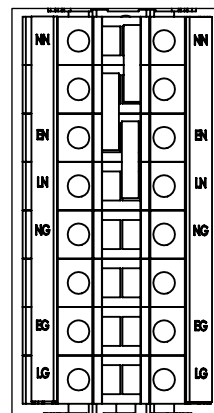
DIMETRIC VIEW
DOOR REMOVED

EA EB EC NA NB NC



TERMINAL
LAYOUT
"A"

NN
EN
LN
NG
EG
LG



TERMINAL
LAYOUT
"B"

NOTE: FUSES PROVIDED IF PURCHASED
208-240VAC : FRN-R-60
480VAC : LPJ-60SP

60A FUSIBLE 3-POLE NEMA 4X MANUAL TRANSFER SWITCH

REV	DESCRIPTION	DATE	DRAWN	S.RICHARDSON
0	ORIGINAL RELEASE	7/24/14	CHECKED	
			SUP. NO	
			SUP. BY NO	
			PANEL NO	
			BUL. NO	
			GROUP NO	
			ORDER NO	

DRAWING TYPE
OUTLINE
DRAWING NUMBER
STS60N4XBF3



9900 TWIN LAKES PARKWAY
CHARLOTTE, NC 28269
704-596-5617
PSICONTROLSOLUTIONS.COM