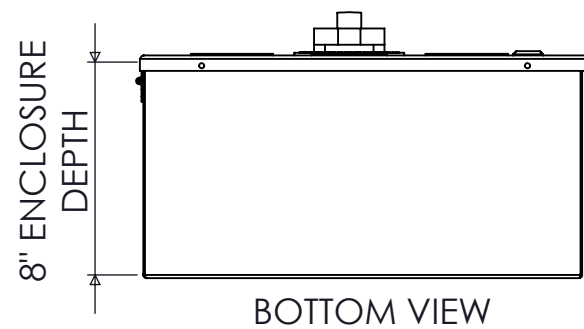
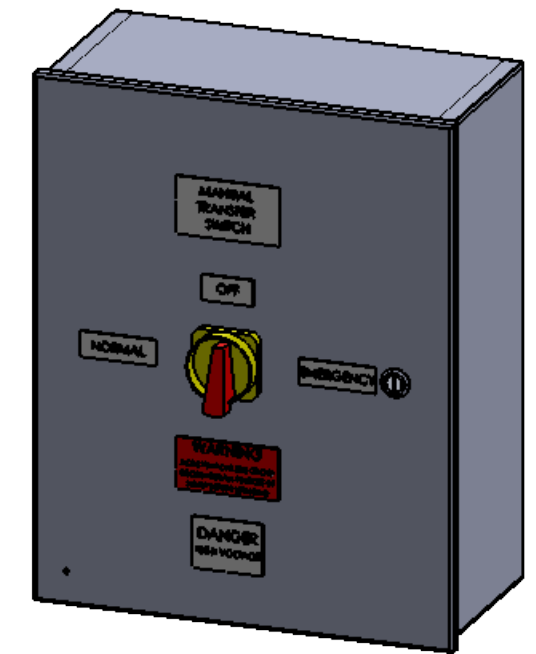
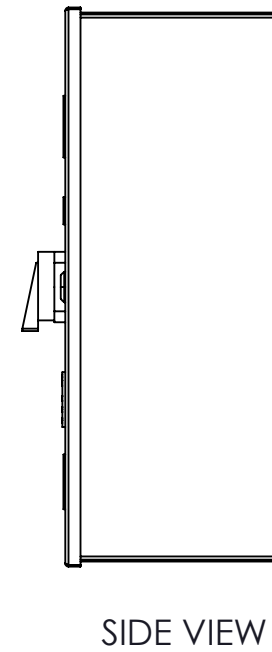
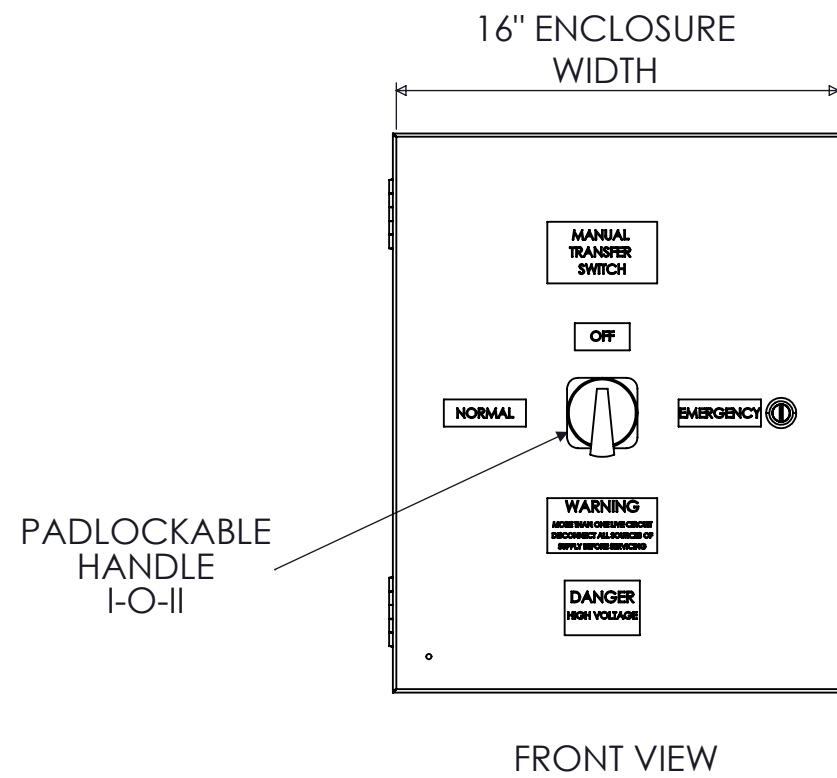
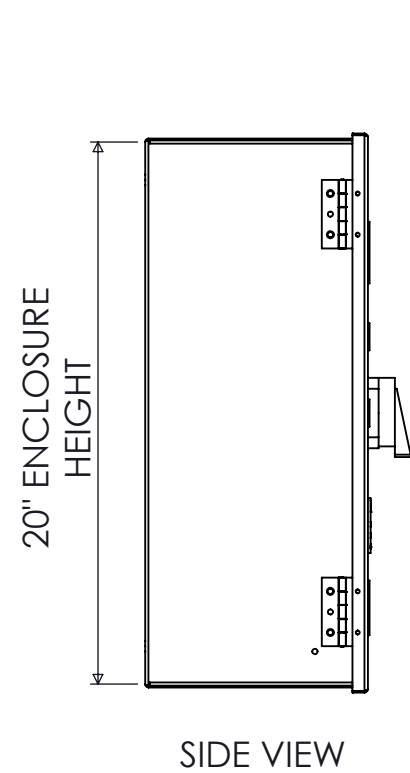
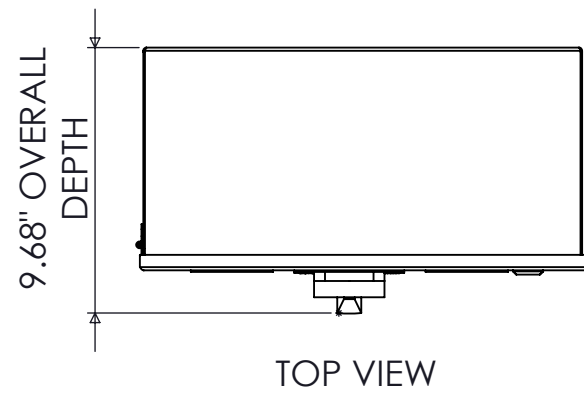


**SPECIFICATIONS**

MAX VOLTAGE - 600VAC 3 $\phi$   
 RATED CURRENT - 60 A  
 STANDARDS - UL508A  
 ENCLOSURE RATING - NEMA 1  
 REF. ES100145BF  
 DURABILITY - 100,000 CYCLES  
 EST SHIPPING WEIGHT - 60LBS



**60A SE-RATED 3-POLE NEMA 1 MANUAL TRANSFER SWITCH**

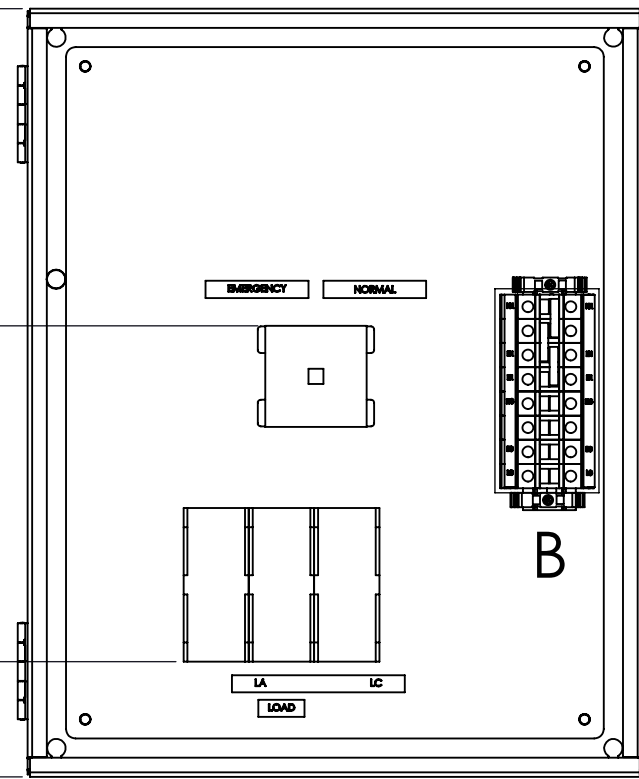
REV	DESCRIPTION	DATE	DRAWN	JG	CHECKED
0	ORIGINAL RELEASE	12/5/17			
				SUP. NO	
				SUP. BY NO	
				PANEL NO	
				BUL. NO	
				GROUP NO	
				ORDER NO	

DRAWING TYPE  
**DIMENSIONAL**

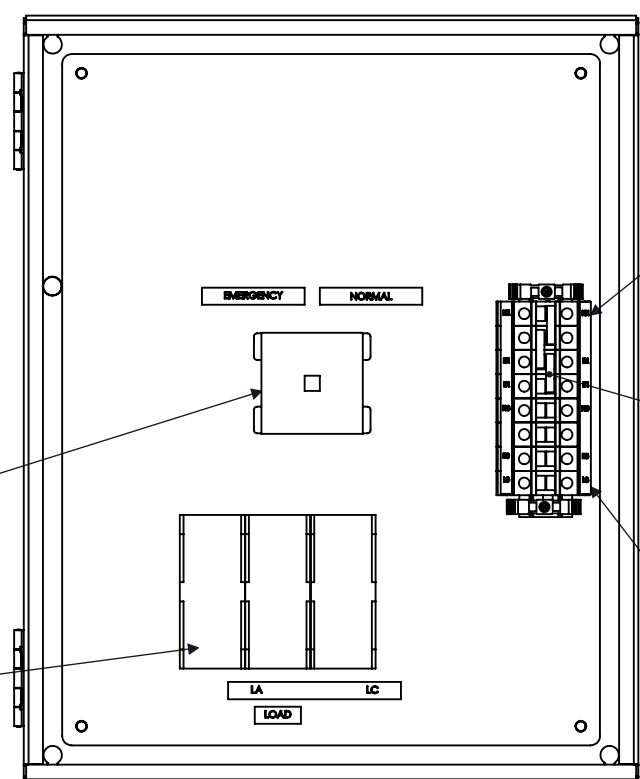
DRAWING NUMBER  
**STS60N1SE3**

 9900 TWIN LAKES PARKWAY  
 CHARLOTTE, NC 28269  
 704-596-5617  
 PSICONTROLSOLUTIONS.COM

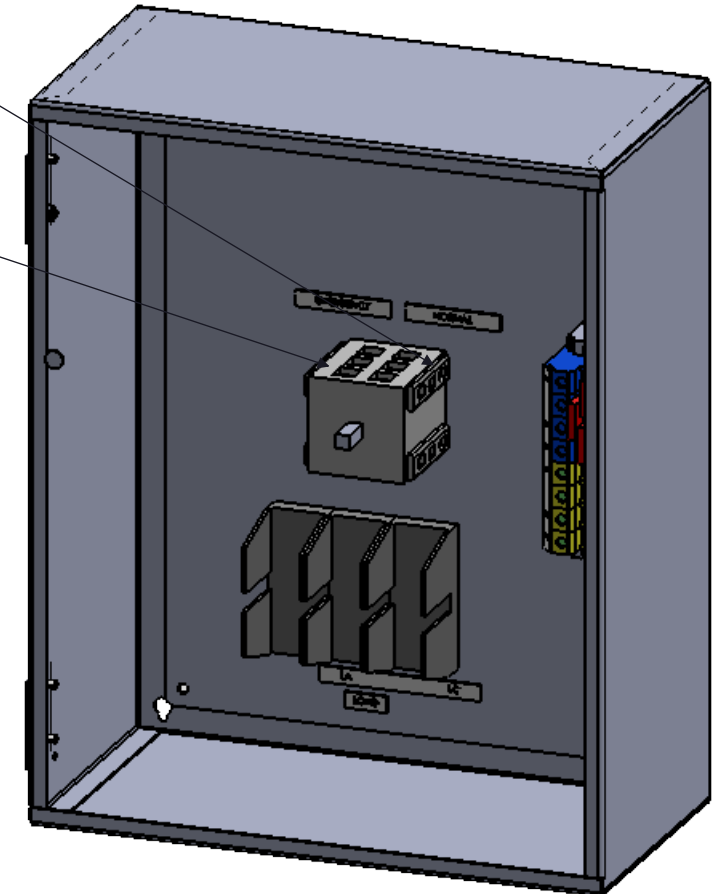
8.25"  
ALLOW 3" MINIMUM  
BENDING SPACE



FRONT VIEW  
DOOR REMOVED



FRONT VIEW  
ENCLOSURE REMOVED



DIMETRIC VIEW  
DOOR REMOVED

60A MANUAL  
TRANSFER SWITCH  
I-O-II

60A  
FUSEBLOCK  
(1) #14-1/0 AWG

"NORMAL"  
CONNECTIONS  
(1)#6-1 AWG

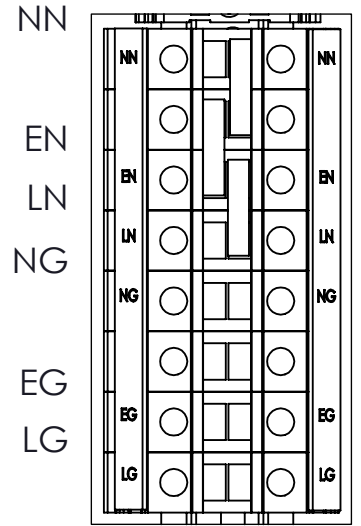
"EMERGENCY"  
CONNECTIONS  
(1)#6-1 AWG

NEUTRAL  
CONNECTIONS  
(1) #14-1/0 AWG

NEUTRAL  
DISCONNECTING  
MEANS

GROUND  
CONNECTIONS  
(1) #14-1/0 AWG

3.00"  
ALLOW 3" MINIMUM  
BENDING SPACE



TERMINAL  
LAYOUT  
"B"

NOTE: FUSES PROVIDED IF PURCHASED  
208-240VAC : FRN-R-60  
480VAC : LPJ-60SP

60A SE-RATED 3-POLE NEMA 1 MANUAL TRANSFER SWITCH					
REV	DESCRIPTION	DATE	DRAWN	JG	
0	ORIGINAL RELEASE	12/5/17	CHECKED		
			SUP. NO		DRAWING TYPE
			SUP. BY NO		OUTLINE
			PANEL NO		DRAWING NUMBER
			BUL. NO		STS60N1SE3
			GROUP NO		
			ORDER NO		


 9900 TWIN LAKES PARKWAY  
 CHARLOTTE, NC 28269  
 704-596-5617  
 PSICONTROLSOLUTIONS.COM