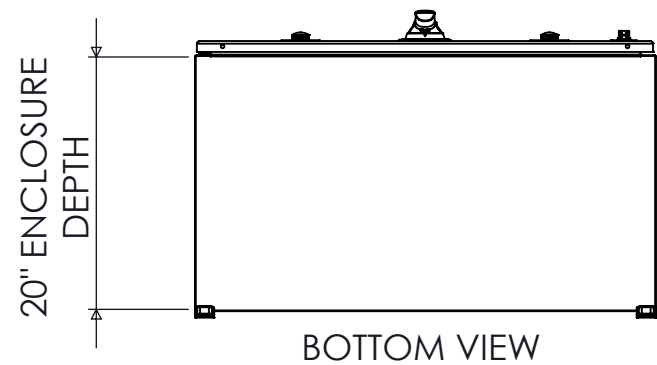
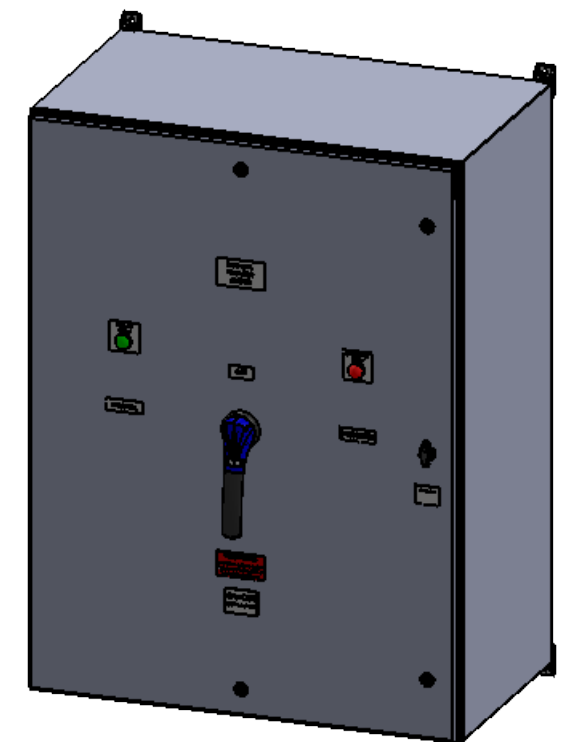
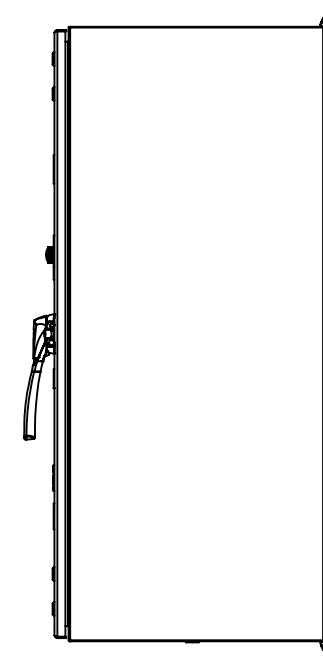
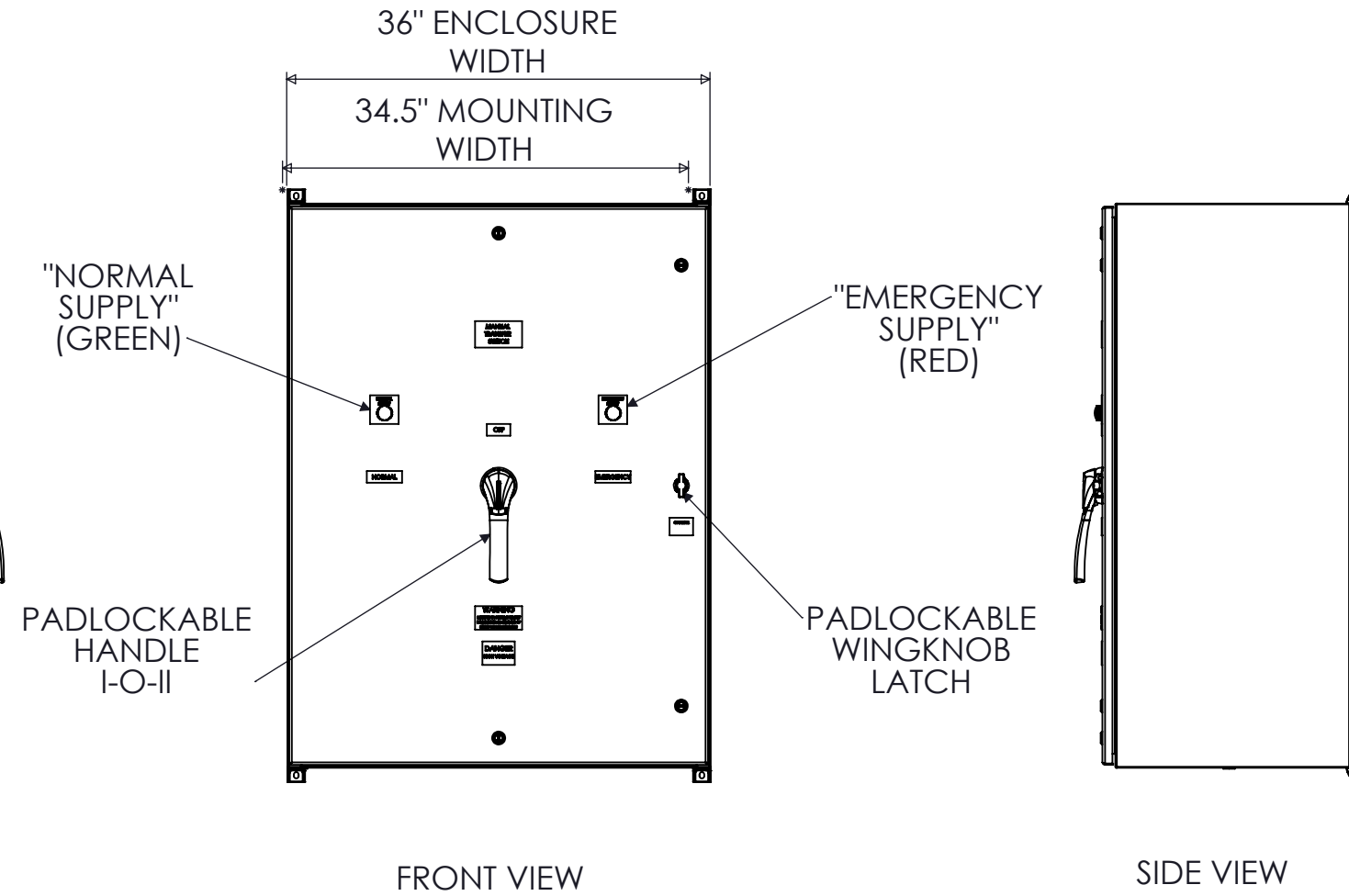
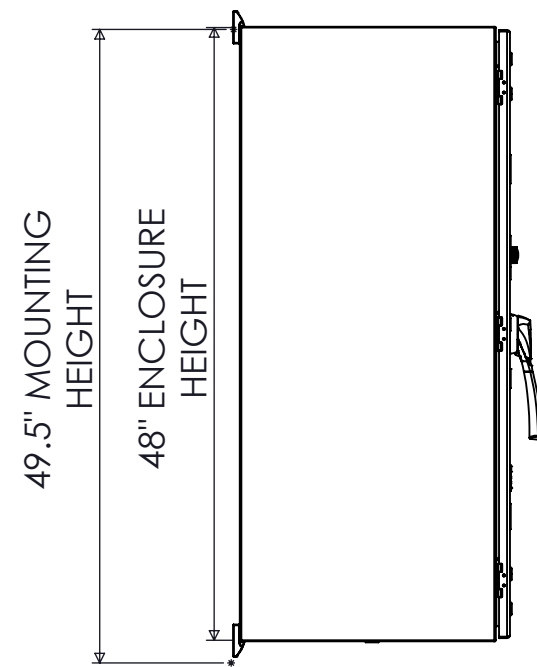
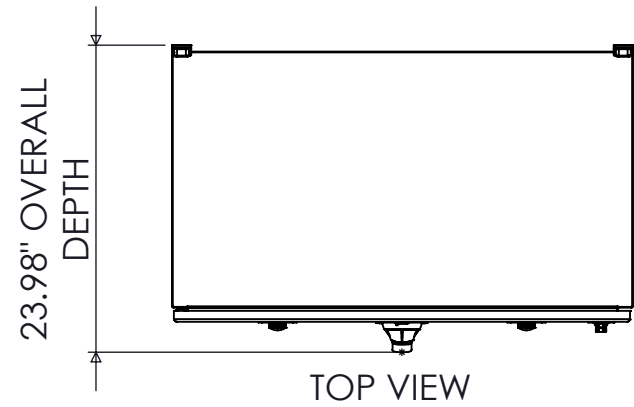


SPECIFICATIONS

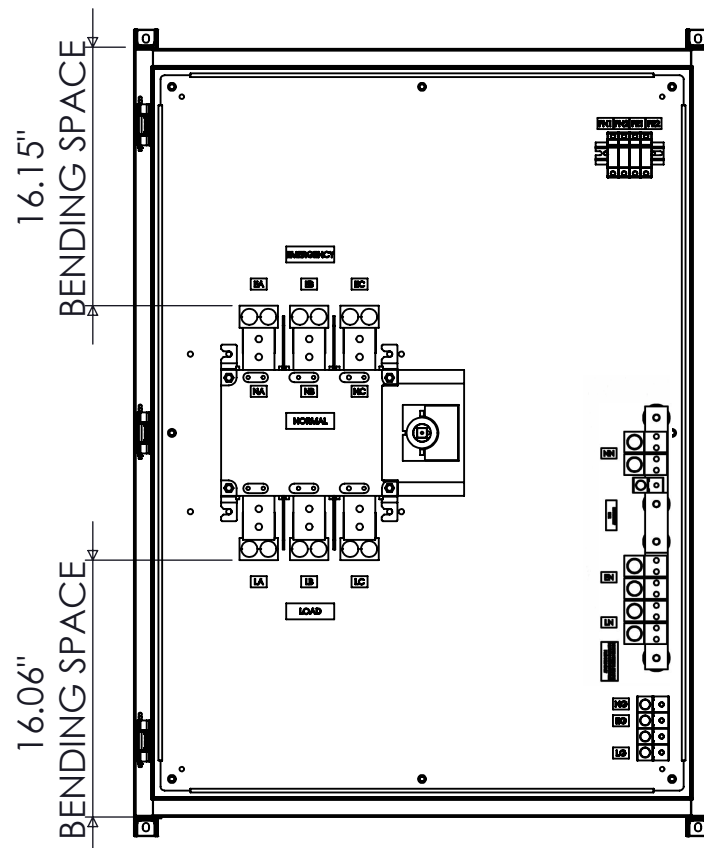
MAX VOLTAGE - 600VAC 3 ϕ
 RATED CURRENT - 600 A
 STANDARDS - UL508A
 ENCLOSURE RATING - NEMA 4X
 REF. ES100145NF3
 DURABILITY - 6050 CYCLES
 EST SHIPPING WEIGHT - 375LBS



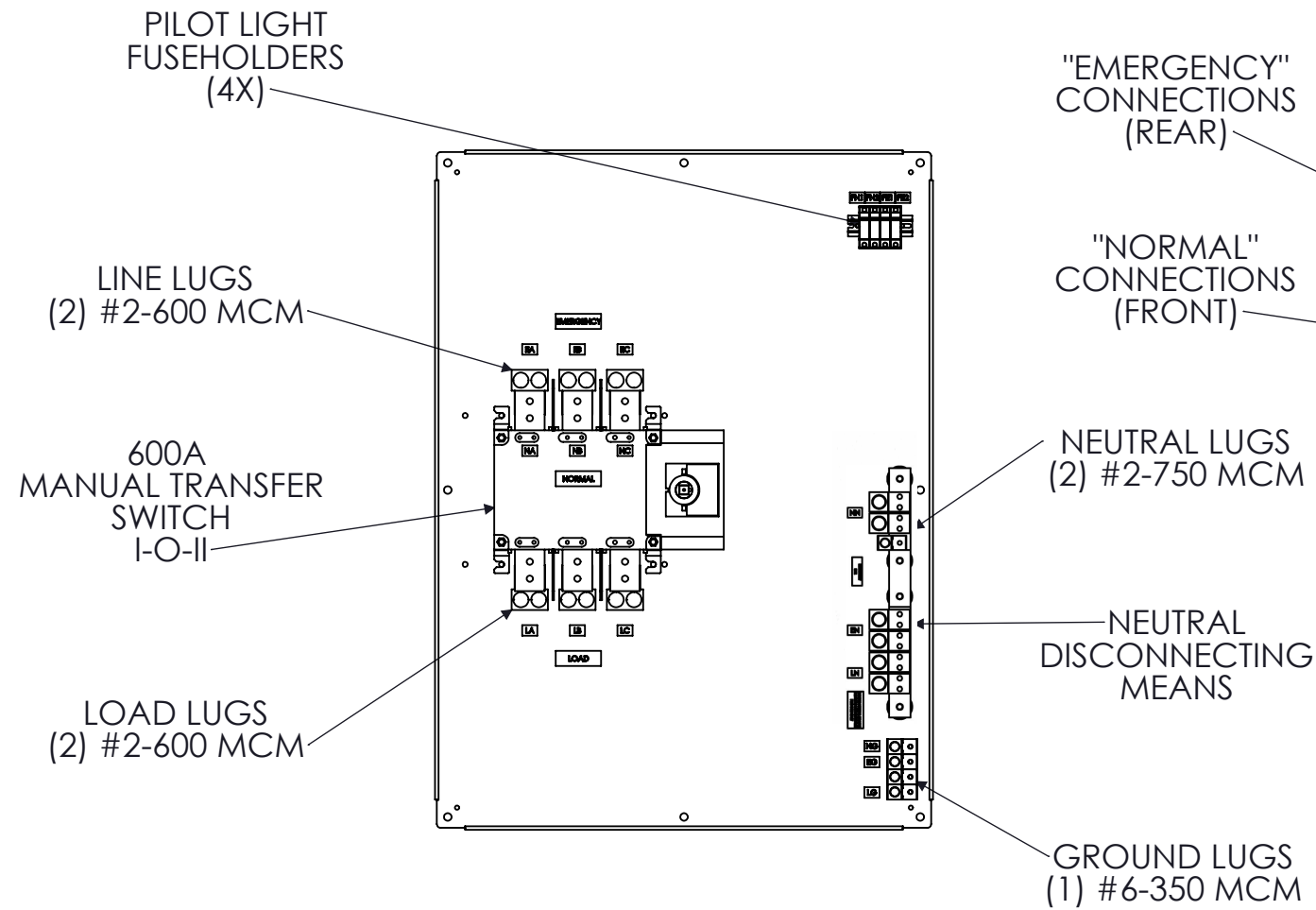
600A NON-FUSED 3-POLE NEMA 4X MANUAL TRANSFER SWITCH

| REV | DESCRIPTION | DATE | DRAWN | S.RICHARDSON | CHECKED |
|-----|------------------|---------|-------|--------------|----------------|
| 0 | ORIGINAL RELEASE | 1/17/14 | | | |
| | | | | SUP. NO | DRAWING TYPE |
| | | | | SUP. BY NO | DIMENSIONAL |
| | | | | PANEL NO | DRAWING NUMBER |
| | | | | BUL. NO | STS600N4XNF3 |
| | | | | GROUP NO | |
| | | | | ORDER NO | |

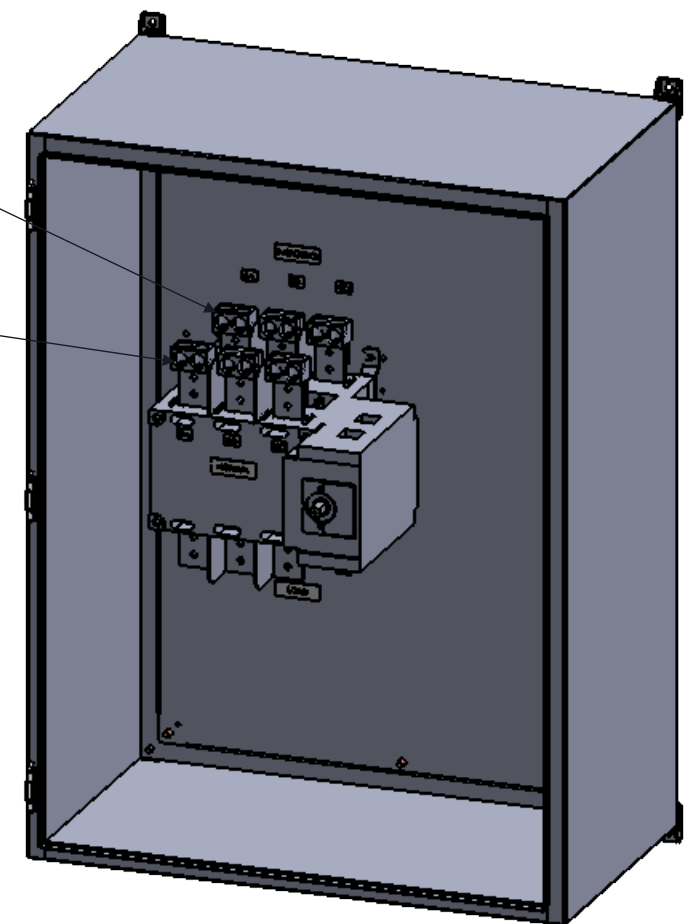
PSI Power & Controls
 9900 TWIN LAKES PARKWAY
 CHARLOTTE, NC 28269
 704-596-5617
 PSICONTROLSOLUTIONS.COM



FRONT VIEW
DOOR REMOVED



FRONT VIEW
ENCLOSURE REMOVED



DIMETRIC VIEW
DOOR REMOVED

600A NON-FUSED 3-POLE NEMA 4X MANUAL TRANSFER SWITCH

| REV | DESCRIPTION | DATE | DRAWN | S.RICHARDSON | |
|-----|------------------|---------|------------|--------------|----------------|
| 0 | ORIGINAL RELEASE | 1/17/14 | CHECKED | | |
| | | | SUP. NO | | DRAWING TYPE |
| | | | SUP. BY NO | | OUTLINE |
| | | | PANEL NO | | DRAWING NUMBER |
| | | | BUL. NO | | STS600N4XNF3 |
| | | | GROUP NO | | |
| | | | ORDER NO | | |

PSI Power & Controls
 9900 TWIN LAKES PARKWAY
 CHARLOTTE, NC 28269
 704-596-5617
 PSICONTROLSOLUTIONS.COM