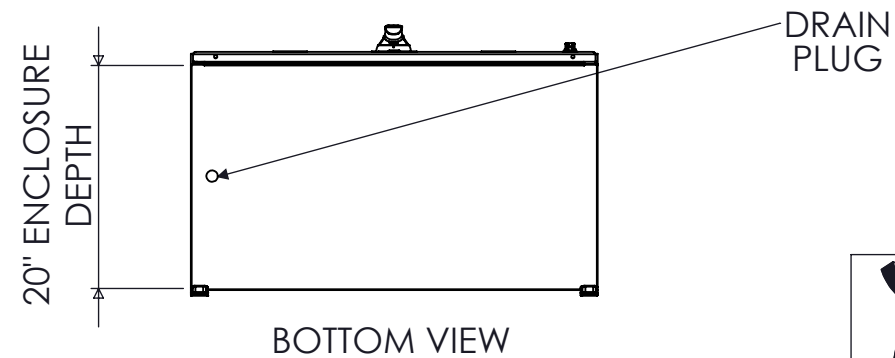
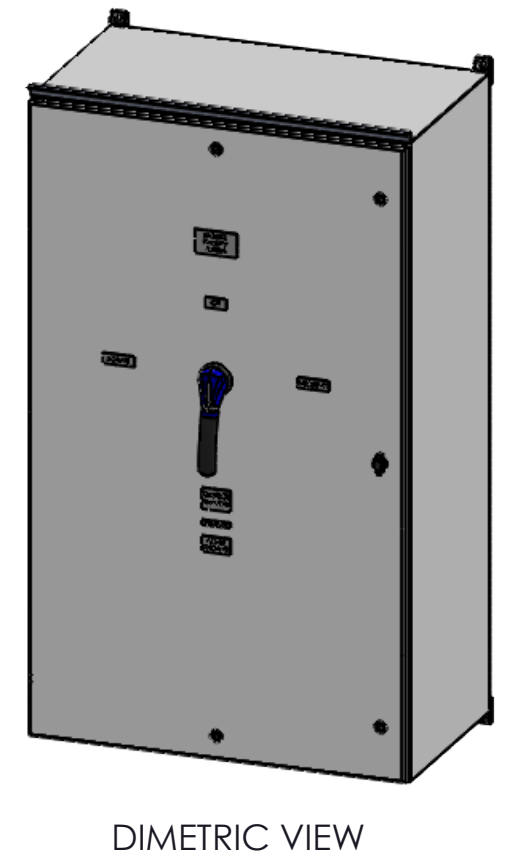
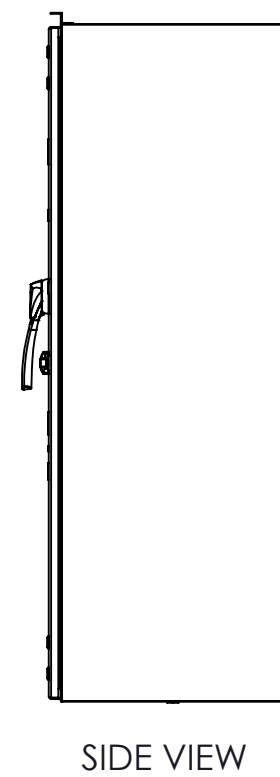
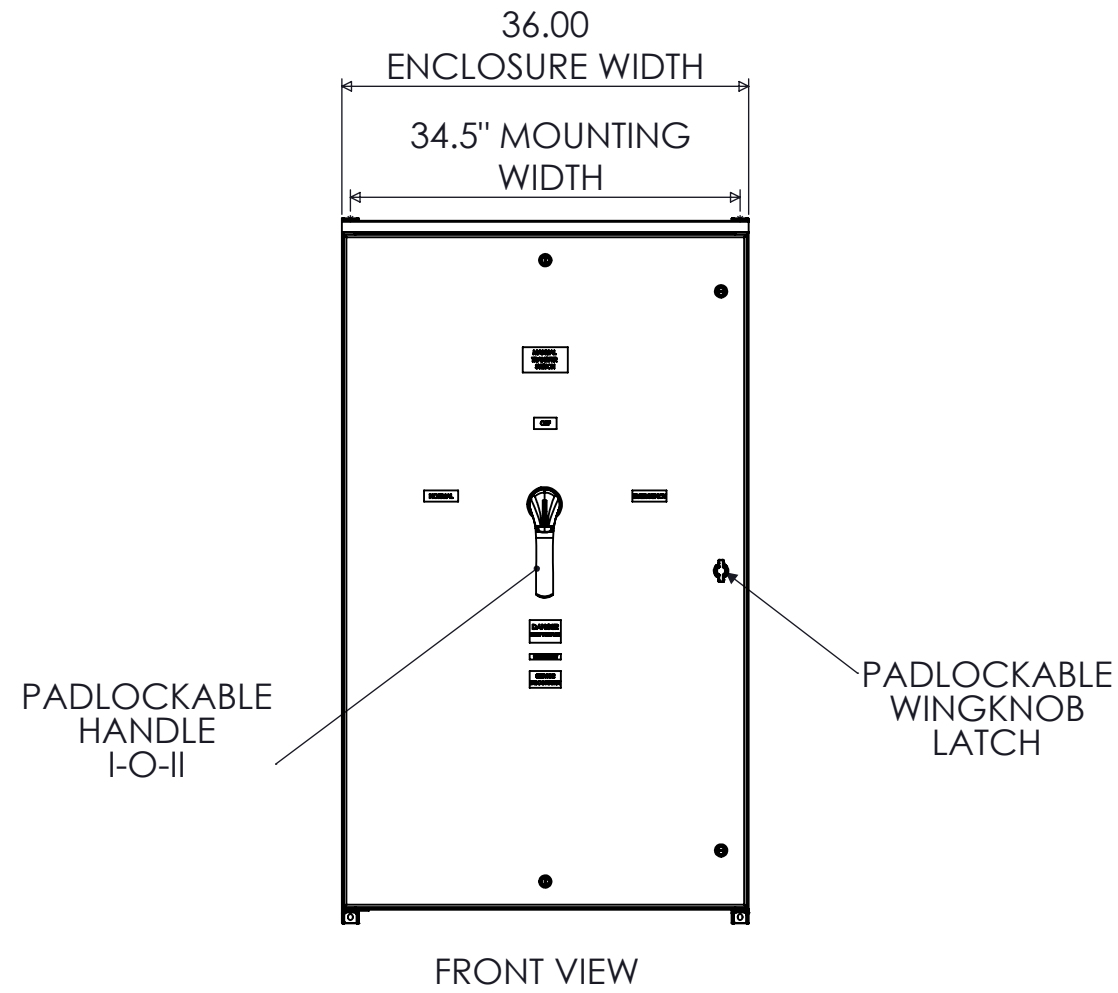
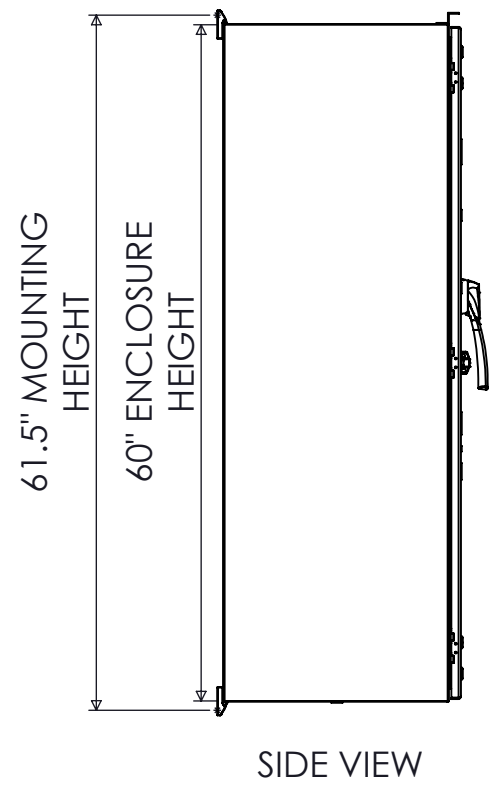
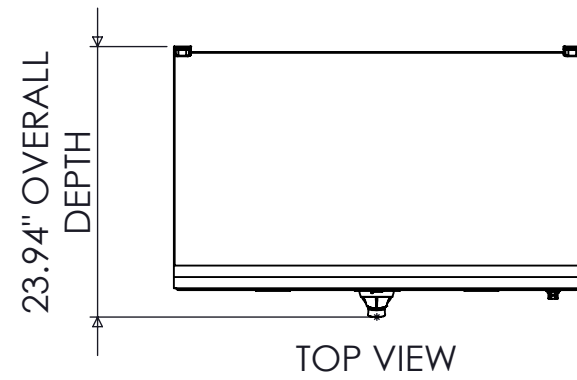


SPECIFICATIONS

MAX VOLTAGE - 600VAC 3 ϕ
 RATED CURRENT - 600 A
 STANDARDS - UL508A
 ENCLOSURE RATING - NEMA 3R
 REF. ES100145SE
 DURABILITY - 6050 CYCLES
 EST SHIPPING WEIGHT - 400LBS

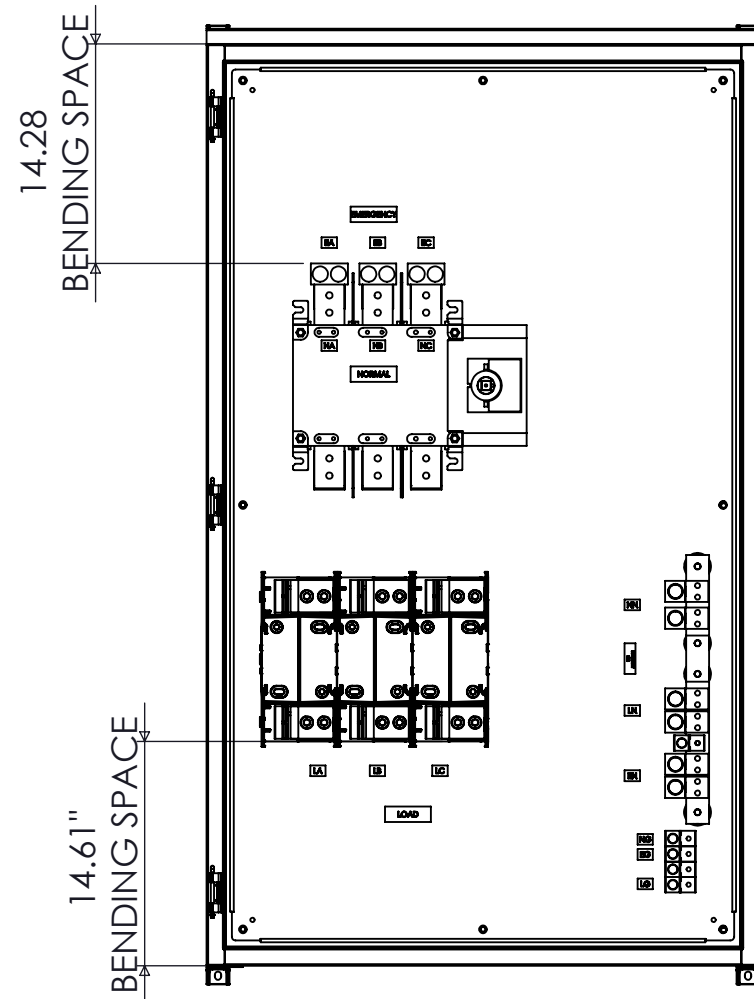


600A SE-RATED 3-POLE NEMA 3R MANUAL TRANSFER SWITCH

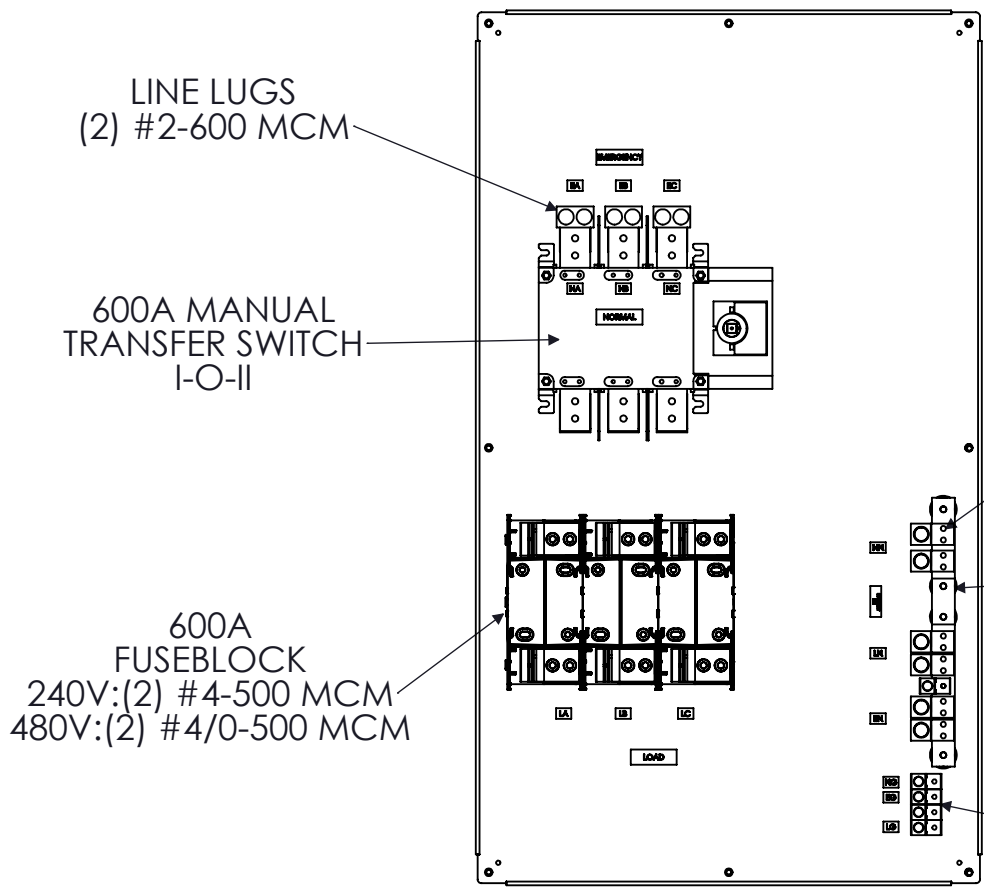
REV	DESCRIPTION	DATE	DRAWN	JG	
0	ORIGINAL RELEASE	2/12/18	CHECKED		
			SUP. NO		DRAWING TYPE
			SUP. BY NO		DIMENSIONAL
			PANEL NO		DRAWING NUMBER
			BUL. NO		STS600N3RSE3
			GROUP NO		
			ORDER NO		



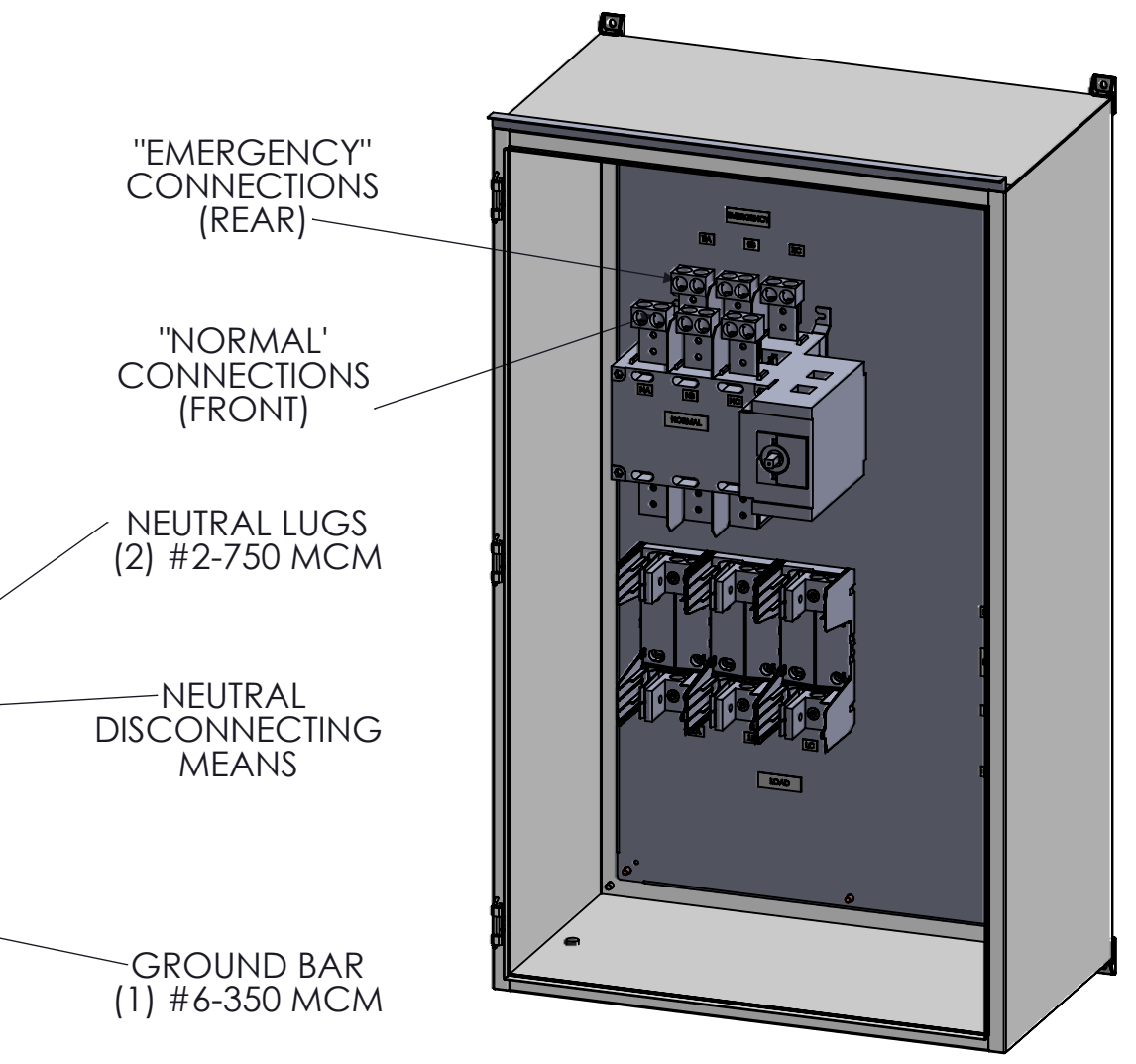
9900 TWIN LAKES PARKWAY
 CHARLOTTE, NC 28269
 704-596-5617
 PSICONTROLSOLUTIONS.COM



FRONT VIEW
DOOR REMOVED




FRONT VIEW
ENCLOSURE REMOVED



DIMETRIC VIEW
DOOR REMOVED

NOTE: FUSES PROVIDED IF PURCHASED
208-240VAC : FRN-R-600
480-600VAC : LPJ-600SP

 9900 TWIN LAKES PARKWAY
CHARLOTTE, NC 28269
704-596-5617
PSICONTROLSOLUTIONS.COM

600A SE-RATED 3-POLE NEMA 3R MANUAL TRANSFER SWITCH					
REV	DESCRIPTION	DATE	DRAWN	JG	
0	ORIGINAL RELEASE	2/12/18	CHECKED		
			SUP. NO		DRAWING TYPE
			SUP. BY NO		OUTLINE
			PANEL NO		DRAWING NUMBER
			BUL. NO		STS600N3RSE3
			GROUP NO		
			ORDER NO		