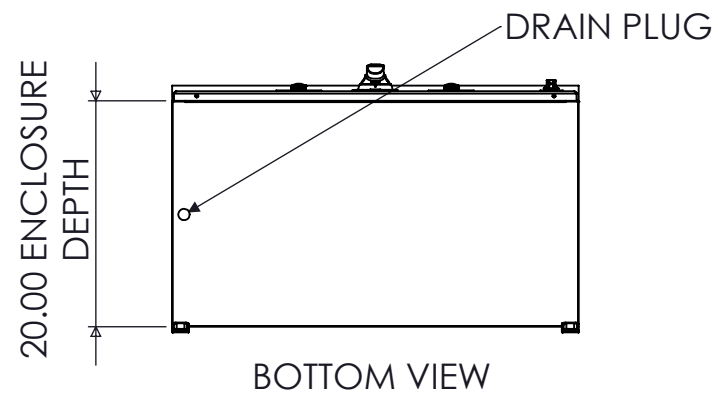
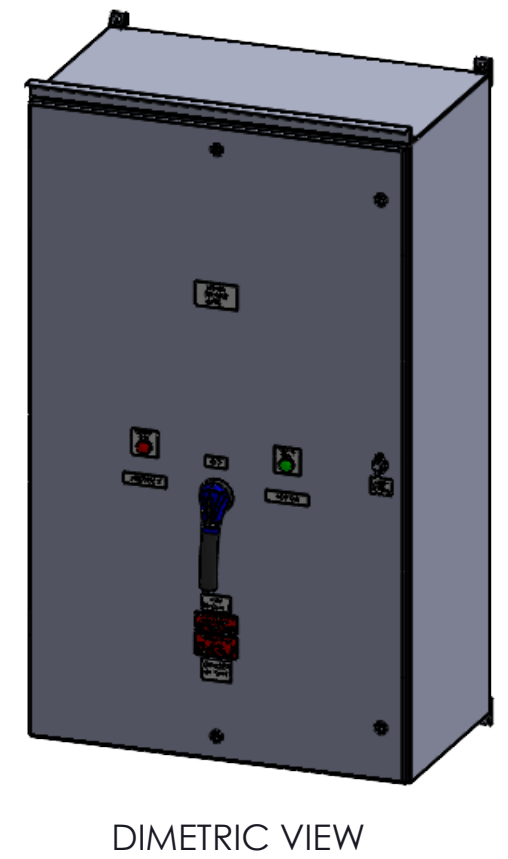
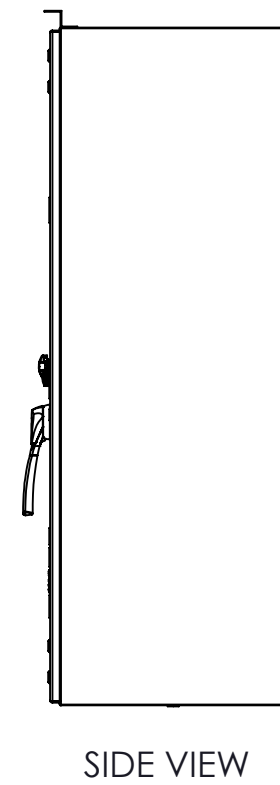
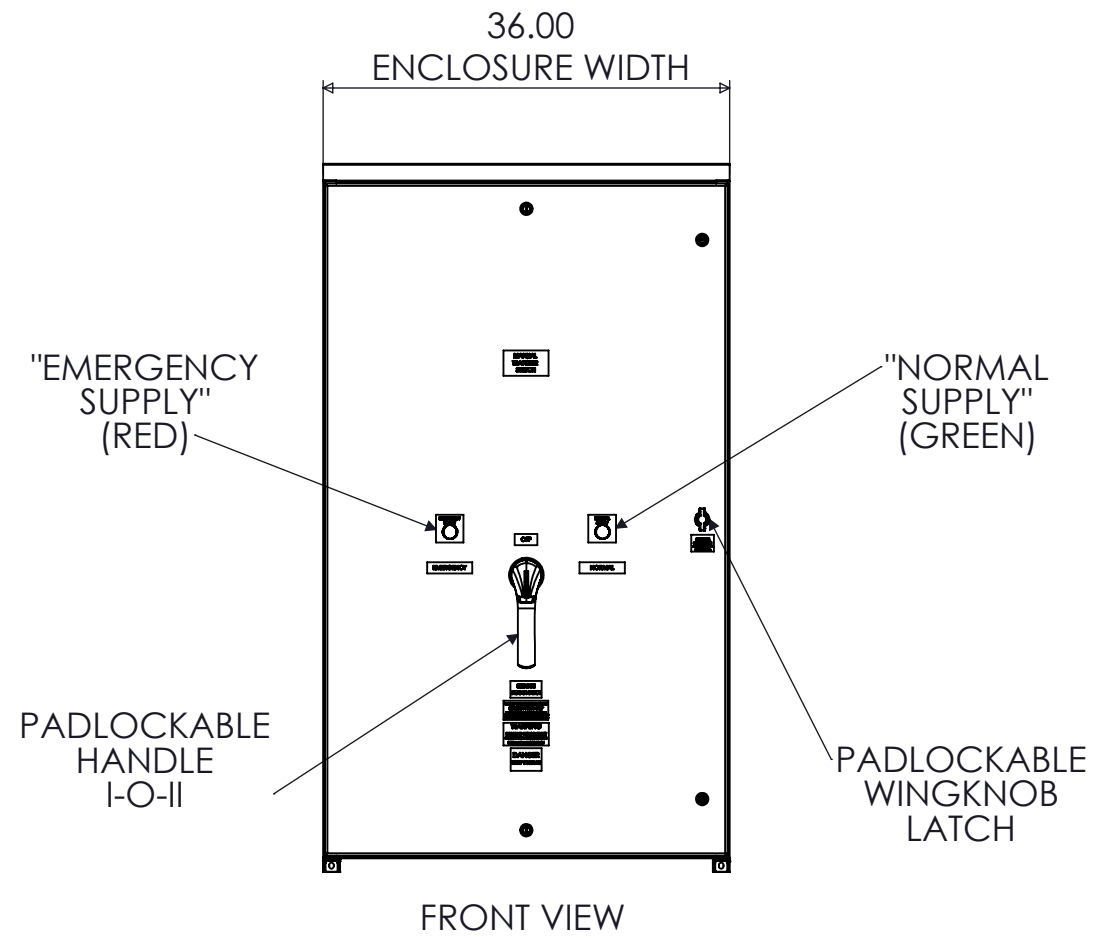
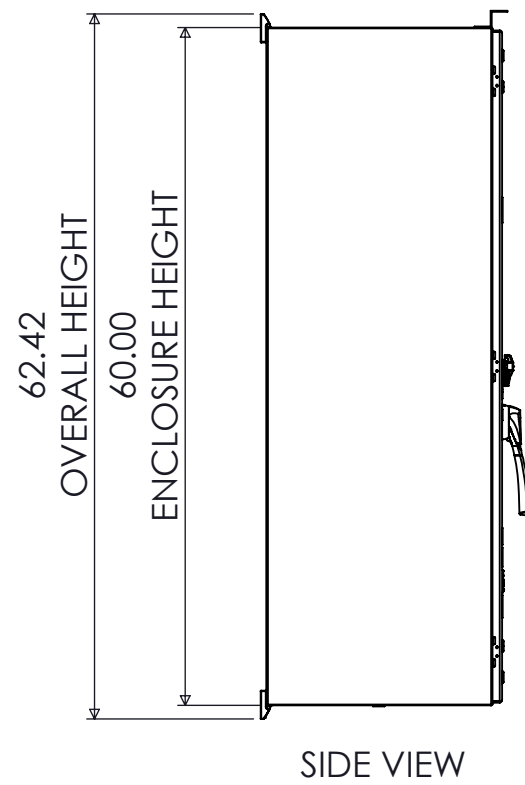
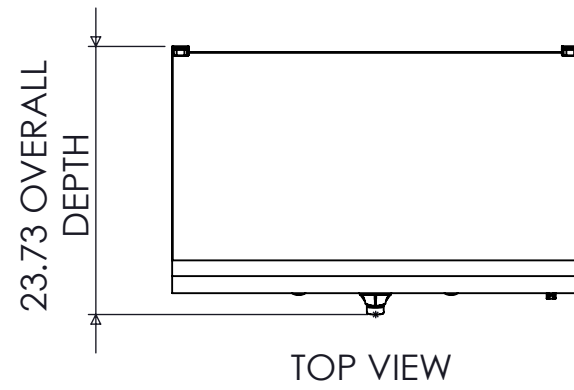


SPECIFICATIONS

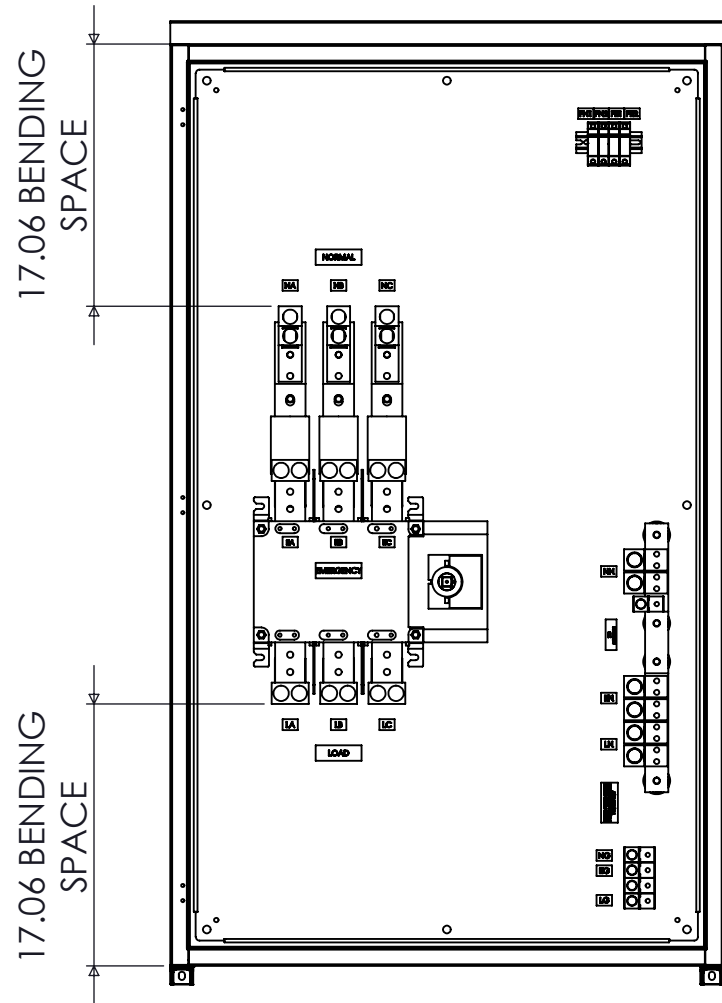
MAX VOLTAGE - 600VAC 3 ϕ
 RATED CURRENT - 600 A
 STANDARDS - UL508A
 ENCLOSURE RATING - NEMA 3R
 REF. ES100145SE3A
 DURABILITY - 6050 CYCLES
 EST SHIPPING WEIGHT - 400LBS



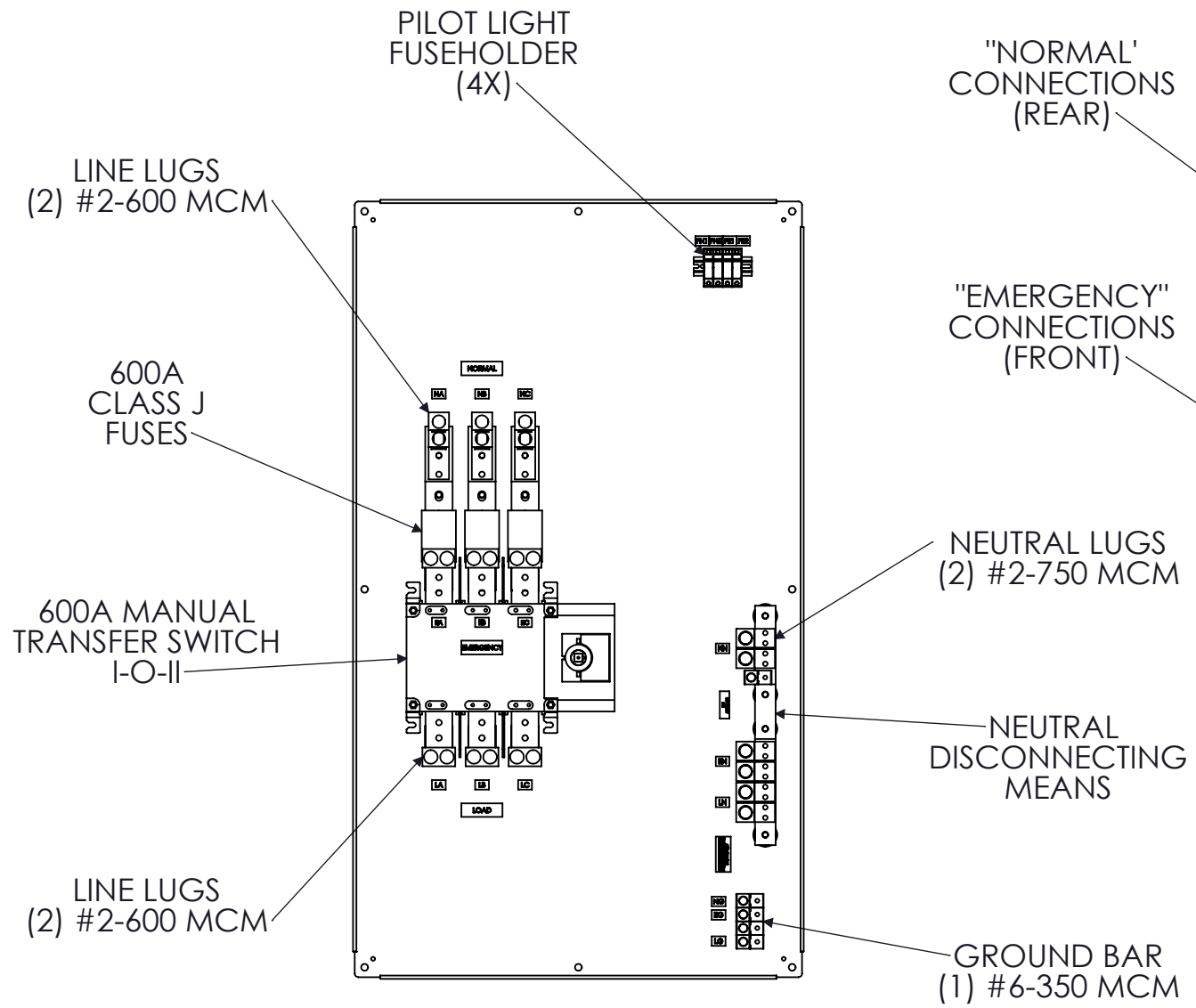
600A SE-RATED 3-POLE NEMA 3R MANUAL TRANSFER SWITCH

REV	DESCRIPTION	DATE	DRAWN	C. JUNG	
0	ORIGINAL RELEASE	1/20/14	CHECKED		
1	FUSES MOVED	10/27/21	SUP. NO		DRAWING TYPE
2	HARD BUS ADDED	02/07/22	SUP. BY NO		DIMENSIONAL
			PANEL NO		DRAWING NUMBER
			BUIL. NO		STS600N3RSE3
			GROUP NO		
			ORDER NO		

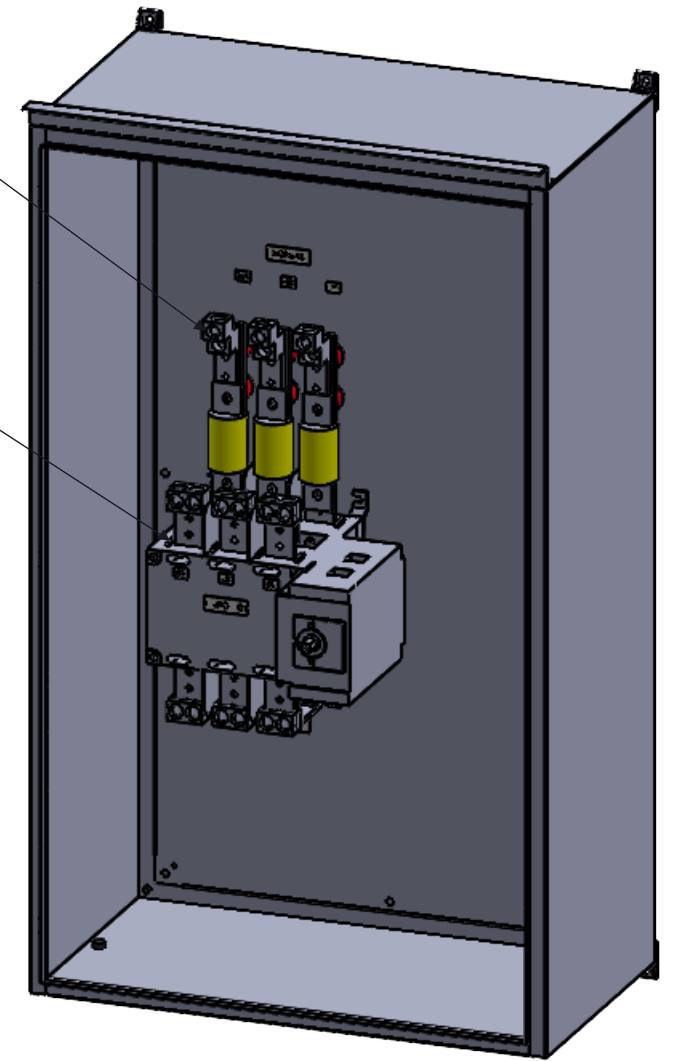
PSI Power & Controls
 9900 TWIN LAKES PARKWAY
 CHARLOTTE, NC 28269
 704-596-5617
 PSICONTROLSOLUTIONS.COM



FRONT VIEW
DOOR REMOVED



FRONT VIEW
ENCLOSURE REMOVED



DIMETRIC VIEW
DOOR REMOVED

NOTE: FUSES PROVIDED IF PURCHASED
208-240VAC : FRN-R-600
480-600VAC : LPJ-600SP

PSI Power & Controls
9900 TWIN LAKES PARKWAY
CHARLOTTE, NC 28269
704-596-5617
PSICONTROLSOLUTIONS.COM

600A SE-RATED 3-POLE NEMA 3R MANUAL TRANSFER SWITCH

REV	DESCRIPTION	DATE	DRAWN	C. JUNG
0	ORIGINAL RELEASE	1/20/14	CHECKED	
1	FUSES MOVED	10/27/21	SUP. NO	
2	HARD BUS ADDED	02/07/22	SUP. BY NO	
			PANEL NO	
			BUL. NO	
			GROUP NO	
			ORDER NO	

DRAWING TYPE
OUTLINE
DRAWING NUMBER
STS600N3RSE3