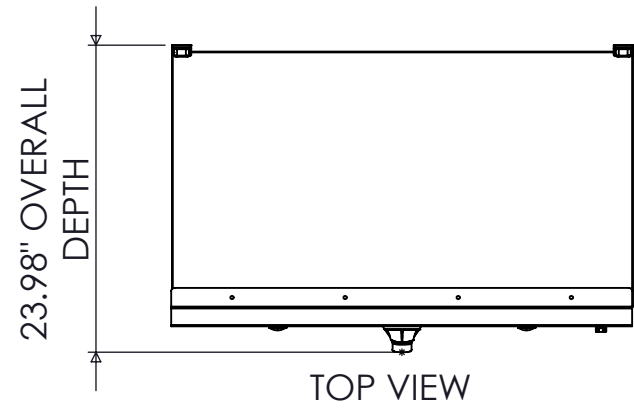
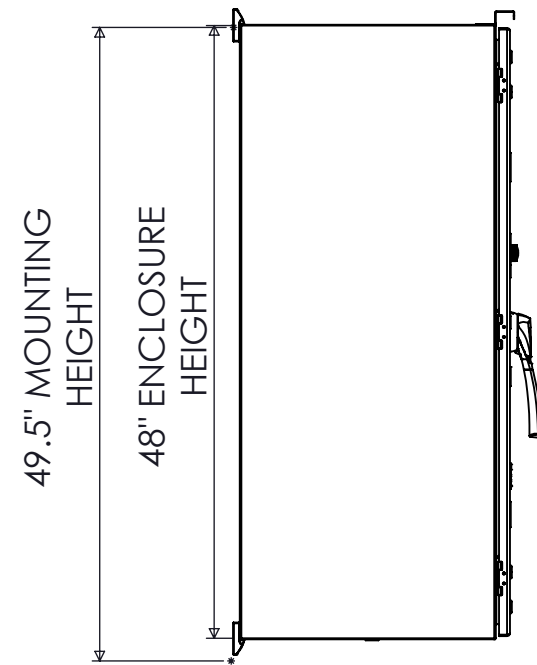


**SPECIFICATIONS**

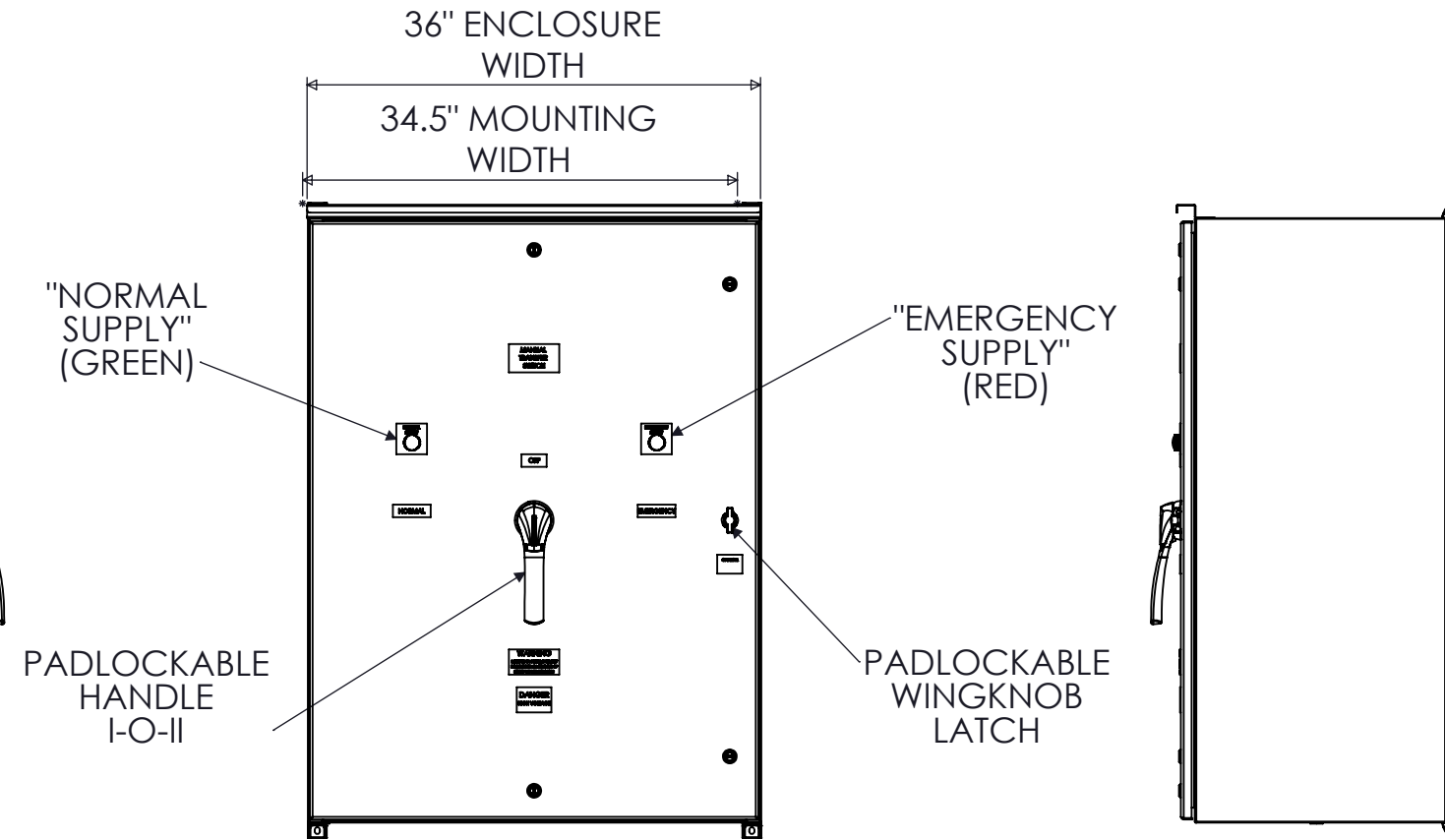
MAX VOLTAGE - 600VAC 3 $\phi$   
 RATED CURRENT - 600 A  
 STANDARDS - UL508A  
 ENCLOSURE RATING - NEMA 3R  
 REF. ES100145NF3  
 DURABILITY - 6050 CYCLES  
 EST SHIPPING WEIGHT - 375LBS



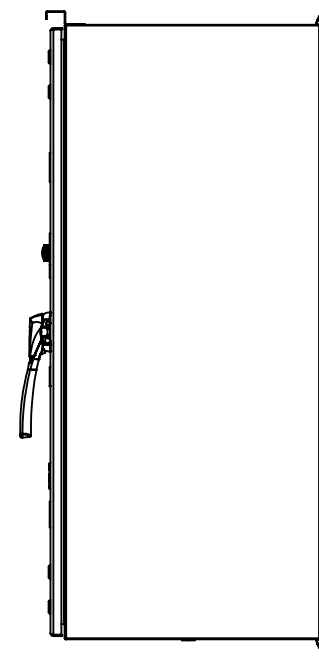
TOP VIEW



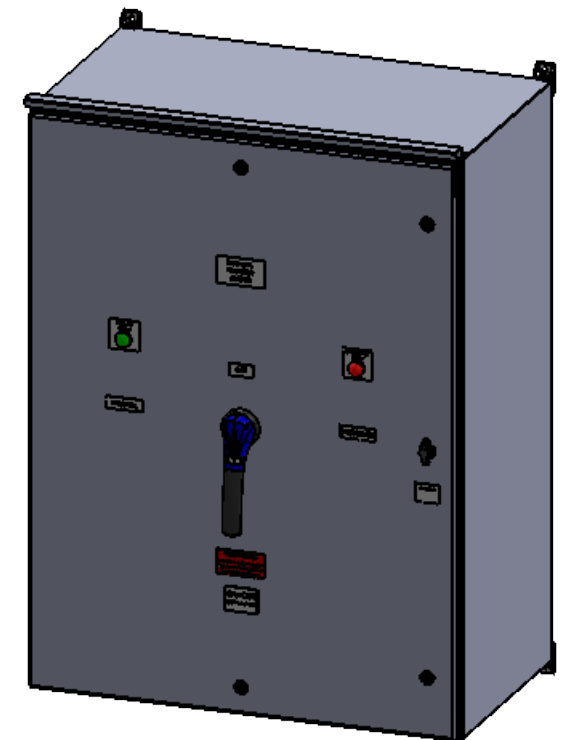
SIDE VIEW



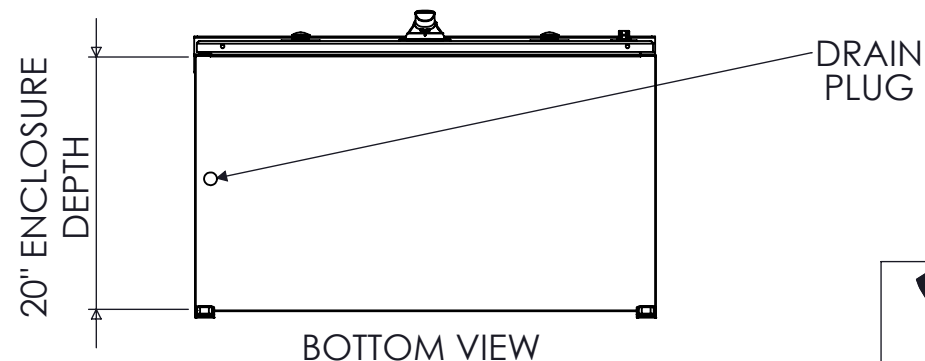
FRONT VIEW



SIDE VIEW



DIMETRIC VIEW

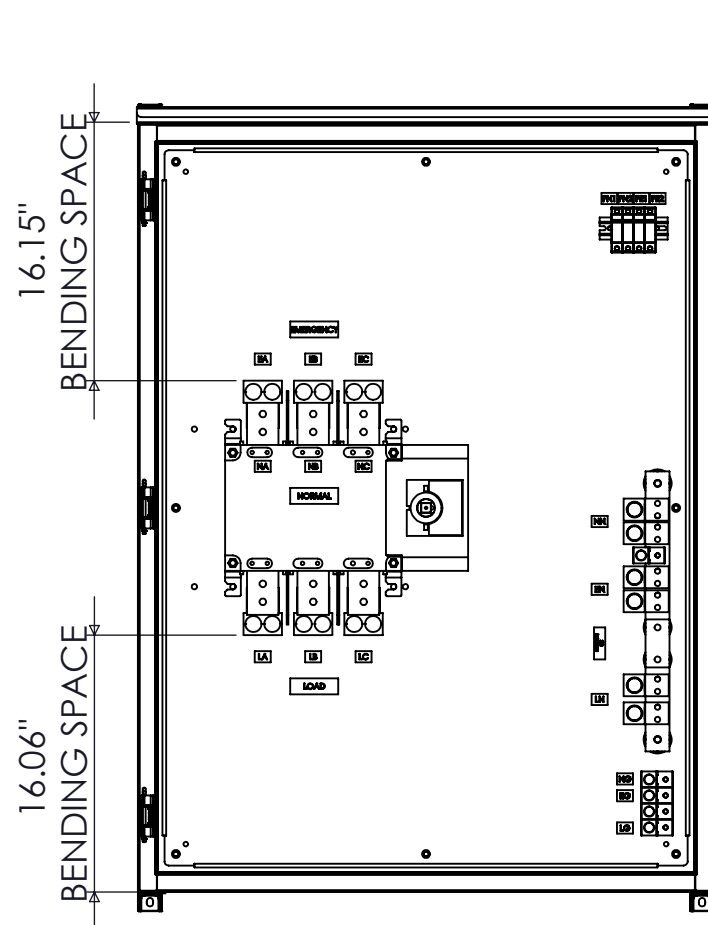


BOTTOM VIEW

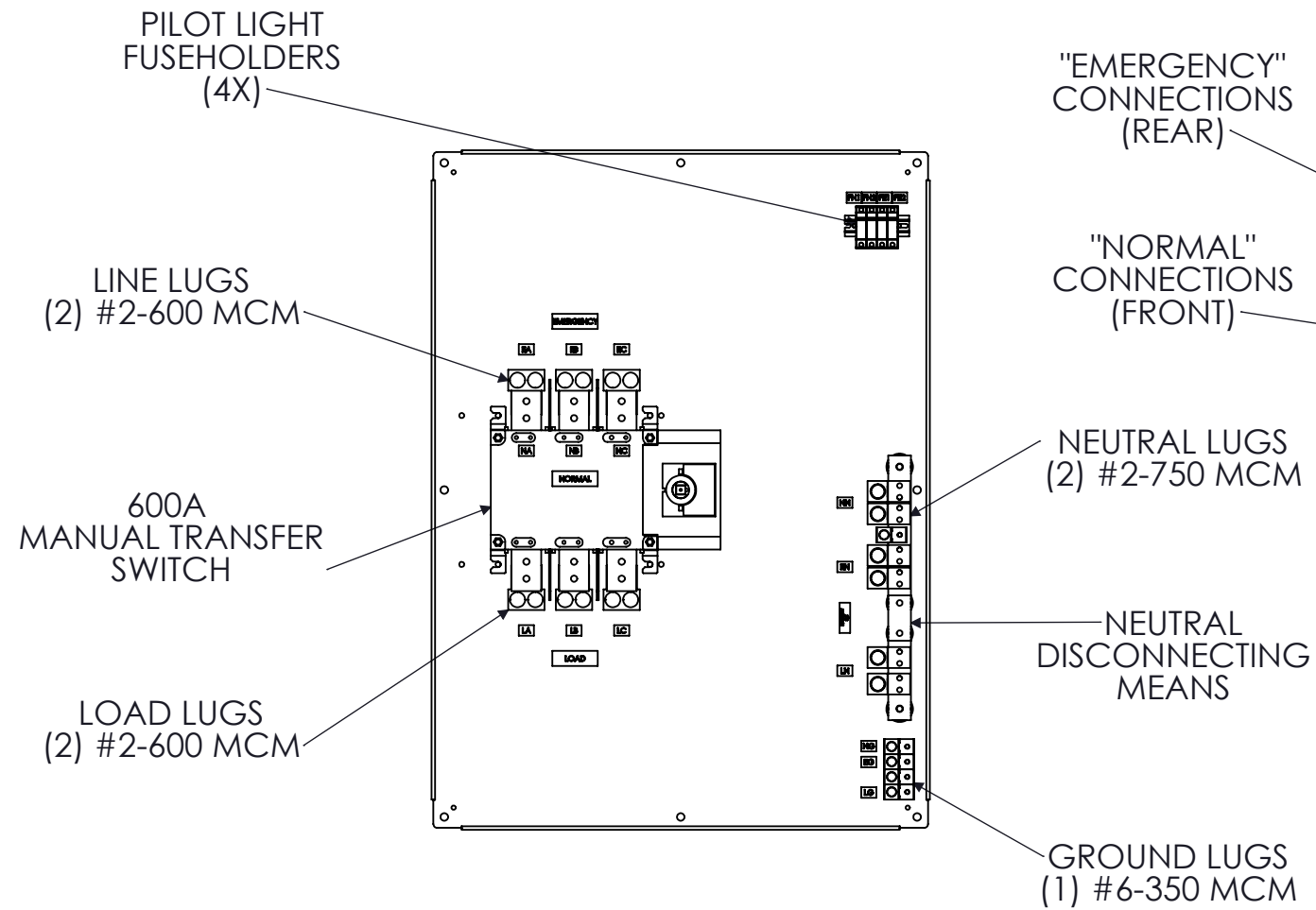
 9900 TWIN LAKES PARKWAY  
 CHARLOTTE, NC 28269  
 704-596-5617  
 PSICONTROLSOLUTIONS.COM

**600A NON-FUSED 3-POLE NEMA 3R MANUAL TRANSFER SWITCH**

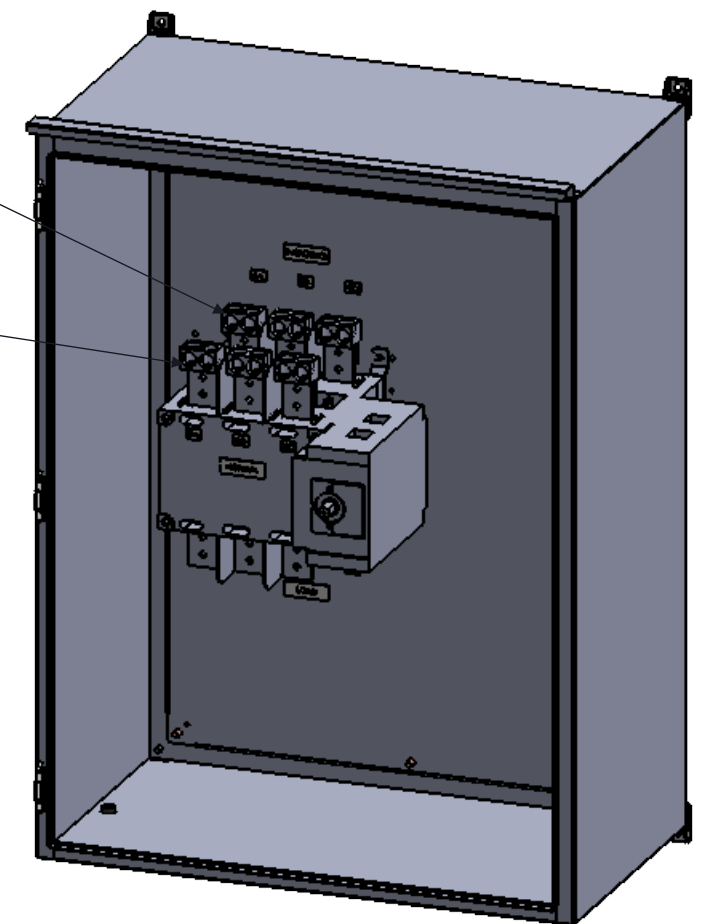
REV	DESCRIPTION	DATE	DRAWN	S.RICHARDSON
0	ORIGINAL RELEASE	1/17/14	CHECKED	
			SUP. NO	DRAWING TYPE
			SUP. BY NO	DIMENSIONAL
			PANEL NO	DRAWING NUMBER
			BUIL. NO	<b>STS600N3RNF3</b>
			GROUP NO	
			ORDER NO	



FRONT VIEW  
DOOR REMOVED



FRONT VIEW  
ENCLOSURE REMOVED



DIMETRIC VIEW  
DOOR REMOVED

600A NON-FUSED 3-POLE NEMA 3R MANUAL TRANSFER SWITCH

REV	DESCRIPTION	DATE	DRAWN	S.RICHARDSON	CHECKED
0	ORIGINAL RELEASE	1/17/14			
				SUP. NO	
				SUP. BY NO	
				PANEL NO	
				BUL. NO	
				GROUP NO	
				ORDER NO	

DRAWING TYPE  
**OUTLINE**

DRAWING NUMBER  
**STS600N3RNF3**


 9900 TWIN LAKES PARKWAY  
 CHARLOTTE, NC 28269  
 704-596-5617  
 PSICONTROLSOLUTIONS.COM