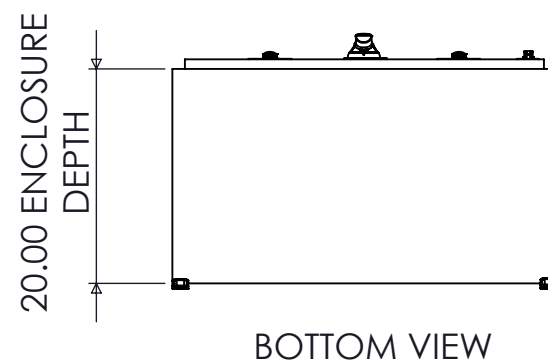
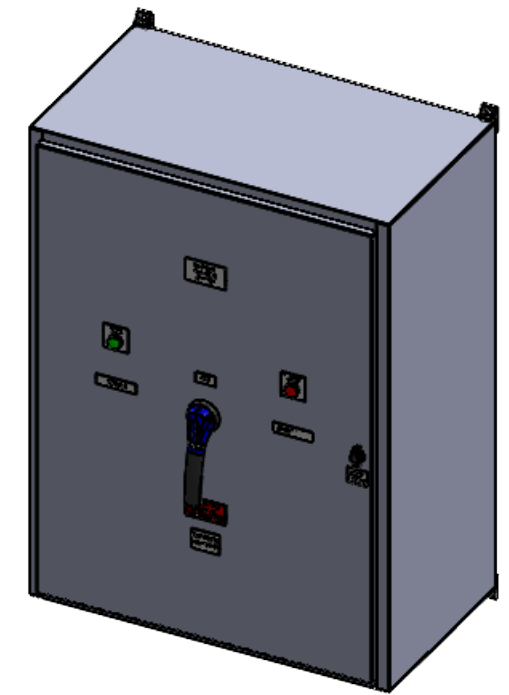
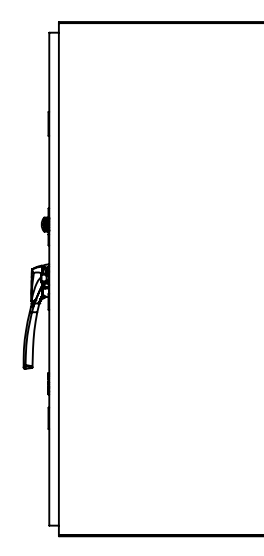
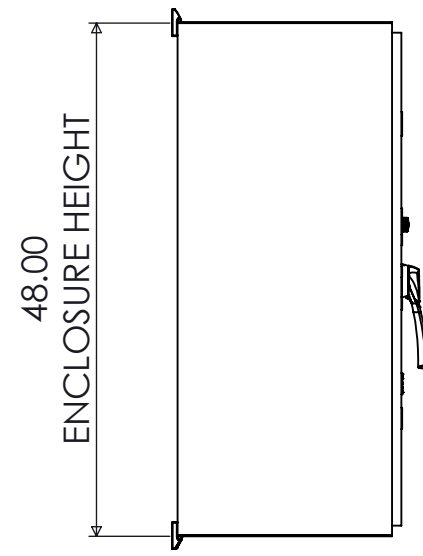
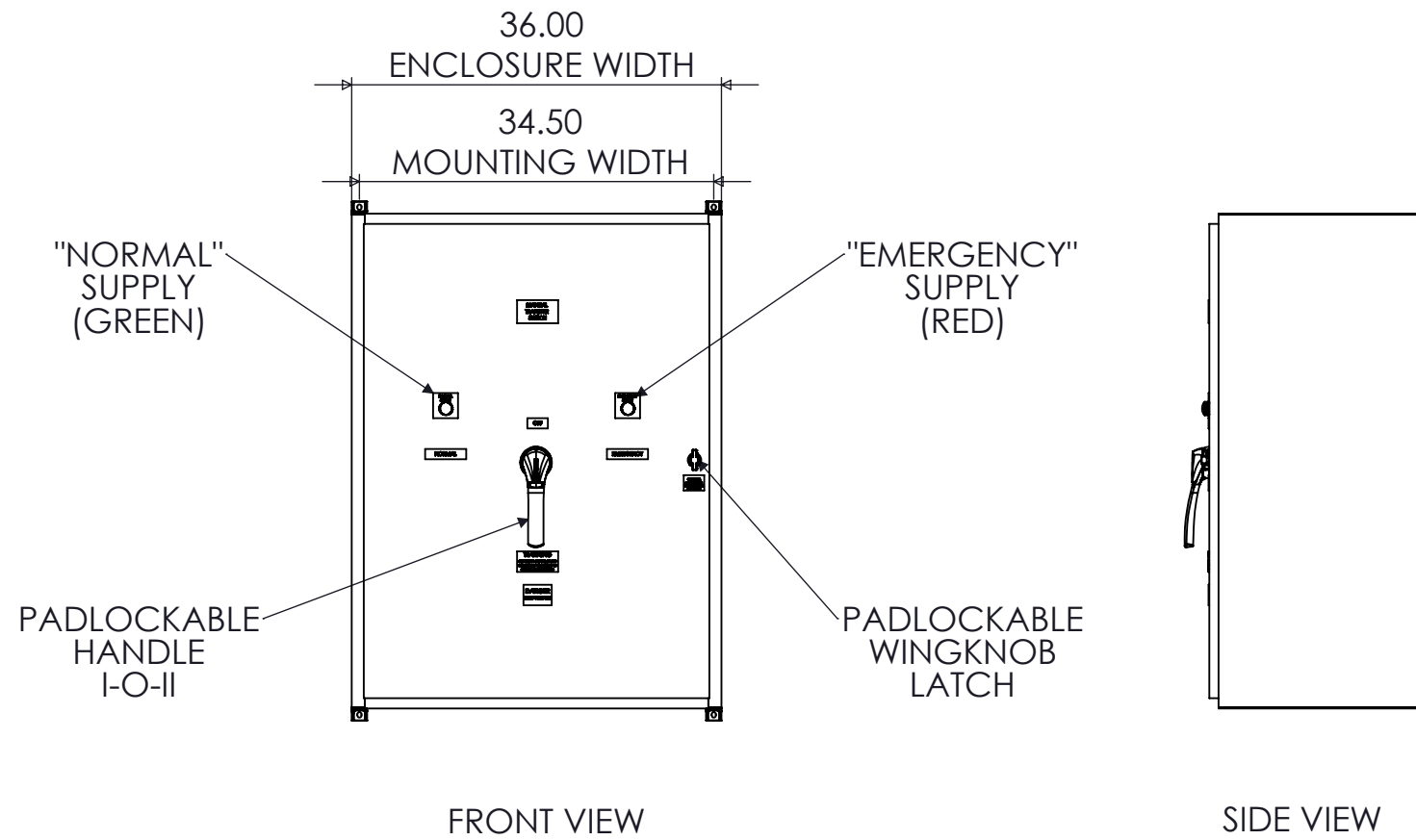
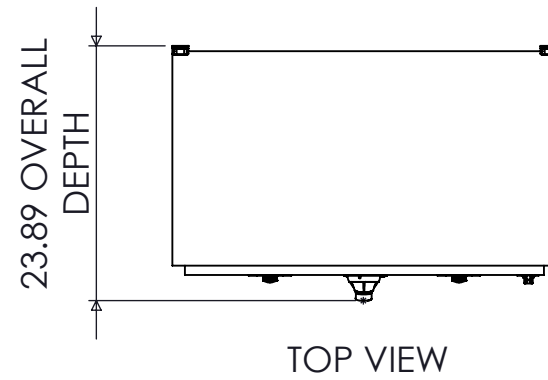


SPECIFICATIONS

MAX VOLTAGE - 600VAC 3 ϕ
 RATED CURRENT - 600 A
 STANDARDS - UL508A
 ENCLOSURE RATING - NEMA 3R
 REF. ES100145NF3
 DURABILITY - 6050 CYCLES
 EST SHIPPING WEIGHT - 400LBS



RECEPTACLE/COVER COLOR SCHEME

| | L1 | L2 | L3 | N | GND |
|--------|-----|-----|-----|-----|-----|
| 240VAC | BLK | RED | BLU | WHT | GRN |
| 480VAC | BRN | ORG | YEL | WHT | GRN |
| 600VAC | BLK | BLK | BLK | WHT | GRN |

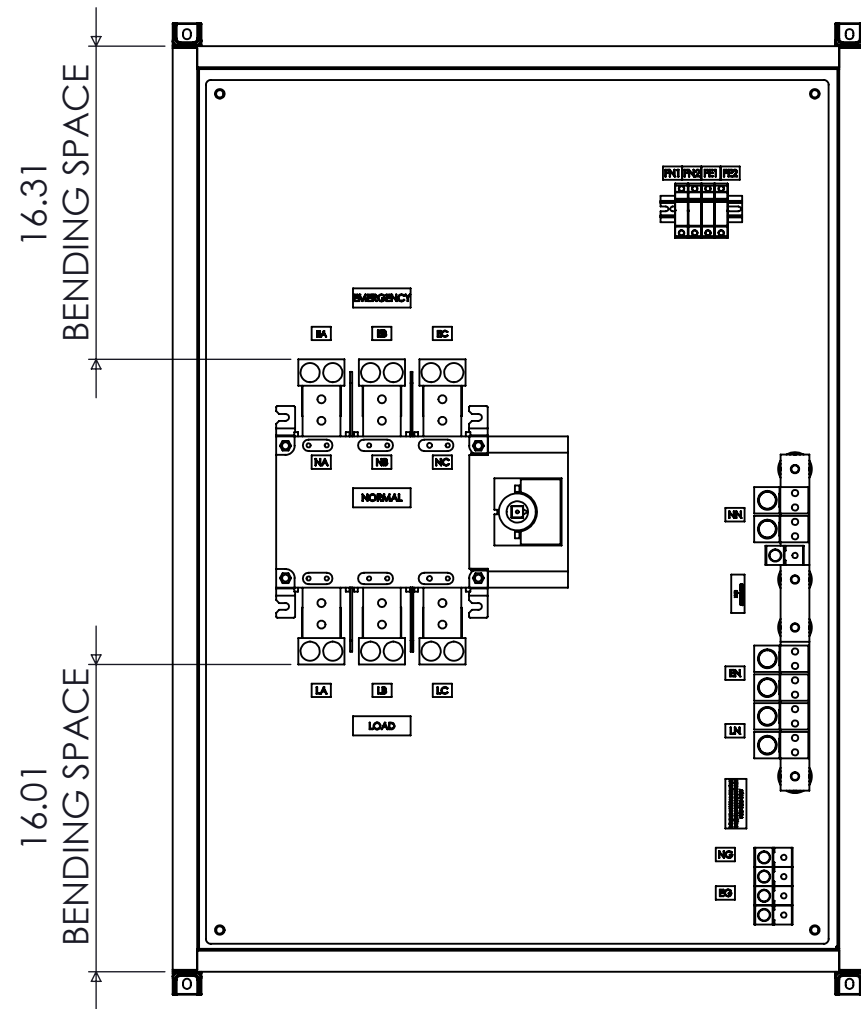
600A NON-FUSIBLE 3 POLE NEMA 3R MANUAL TRANSFER SWITCH

| REV | DESCRIPTION | DATE | DRAWN | C. JUNG |
|-----|------------------|---------|------------|---------|
| 0 | ORIGINAL RELEASE | 3/28/17 | CHECKED | |
| 1 | NEUTRAL CHANGED | 9/14/21 | SUP. NO | |
| | | | SUP. BY NO | |
| | | | PANEL NO | |
| | | | BUIL. NO | |
| | | | GROUP NO | |
| | | | ORDER NO | |

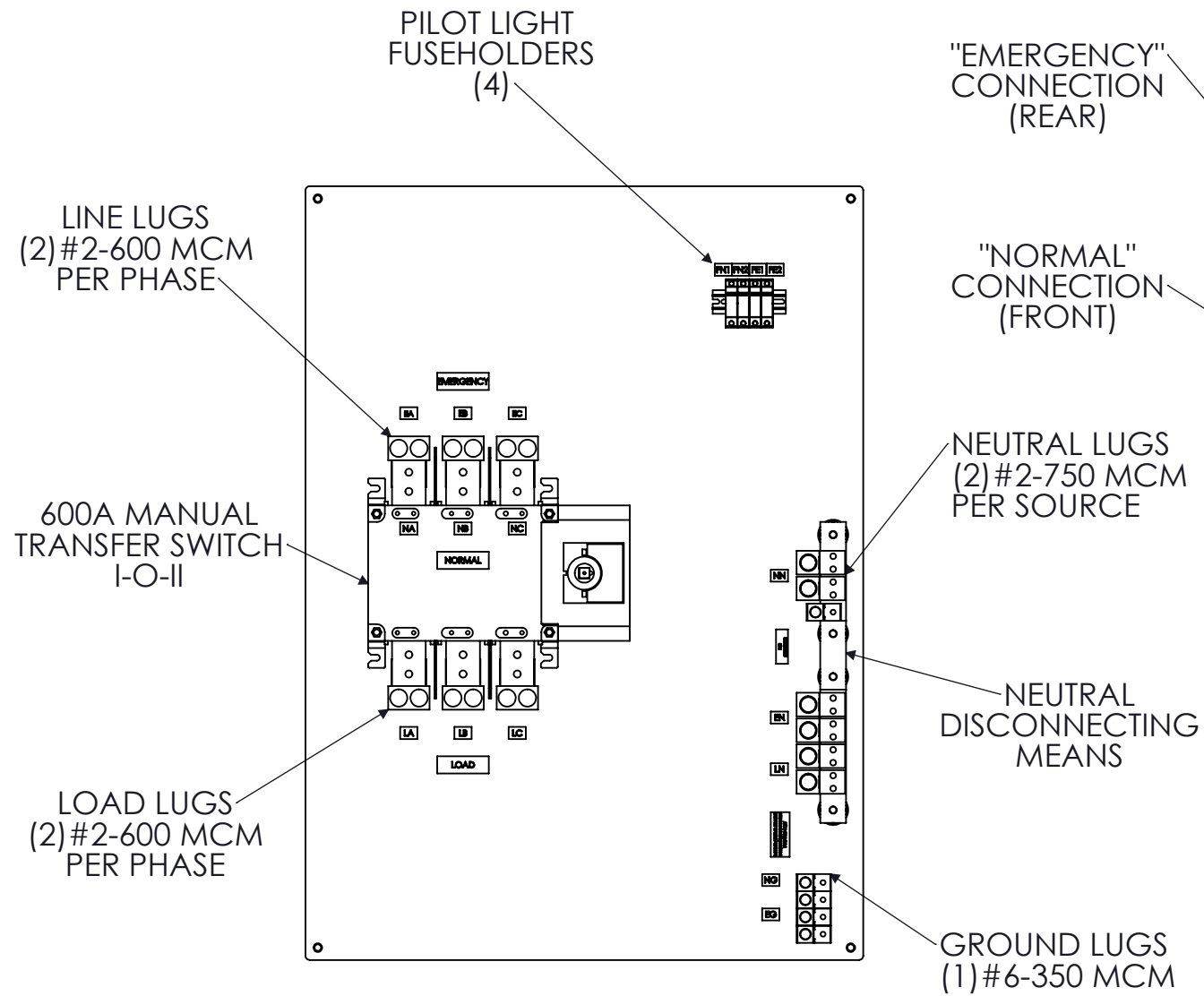
DRAWING TYPE
DIMENSIONAL

DRAWING NUMBER
STS600N3RNF3

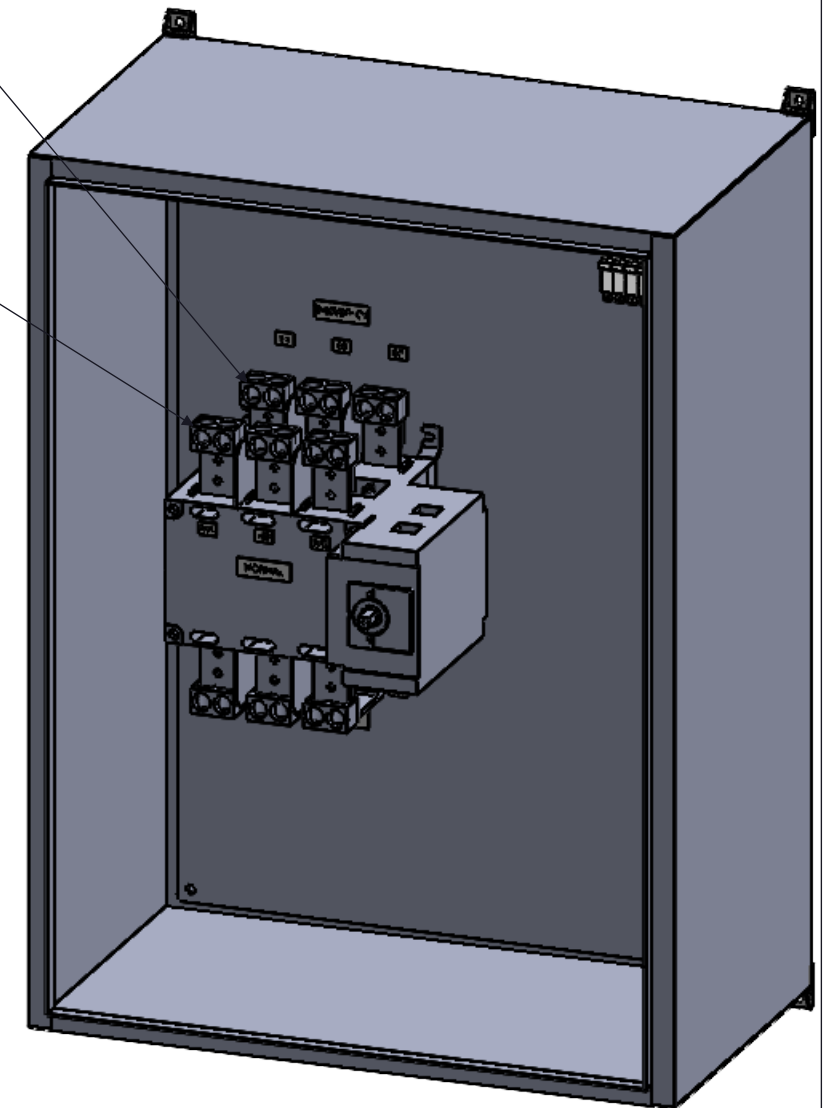
PSI Power & Controls
 9900 TWIN LAKES PARKWAY
 CHARLOTTE, NC 28269
 704-596-5617
 PSICONTROLSOLUTIONS.COM



FRONT VIEW
DOOR REMOVED



FRONT VIEW
ENCLOSURE REMOVED



FRONT VIEW
DOOR REMOVED

PSI Power & Controls
 9900 TWIN LAKES PARKWAY
 CHARLOTTE, NC 28269
 704-596-5617
 PSICONTROLSOLUTIONS.COM

600A NON-FUSIBLE 3 POLE NEMA 3R MANUAL TRANSFER SWITCH

| REV | DESCRIPTION | DATE | DRAWN | C. JUNG |
|-----|------------------|---------|------------|---------|
| 0 | ORIGINAL RELEASE | 3/28/17 | CHECKED | |
| 1 | NEUTRAL CHANGED | 9/14/21 | SUP. NO | |
| | | | SUP. BY NO | |
| | | | PANEL NO | |
| | | | BUL. NO | |
| | | | GROUP NO | |
| | | | ORDER NO | |

DRAWING TYPE
OUTLINE
 DRAWING NUMBER
STS600N3RNF3