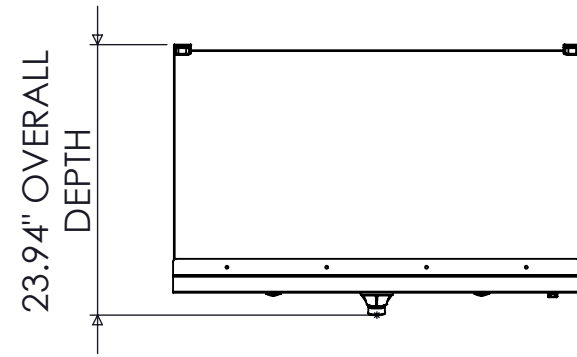
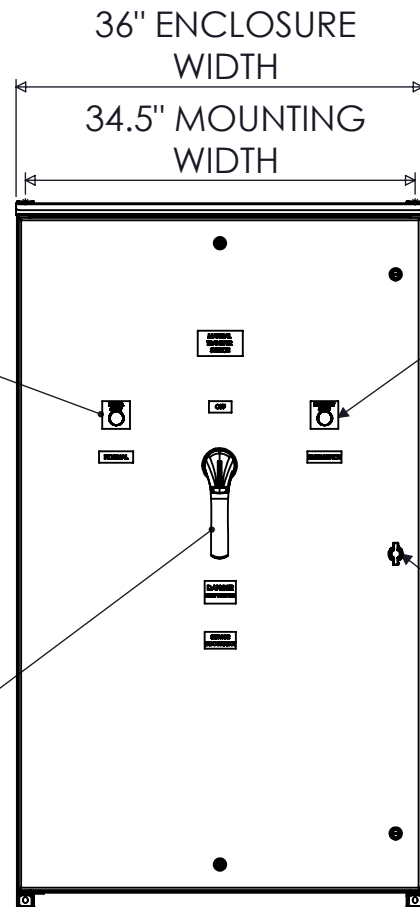


**SPECIFICATIONS**

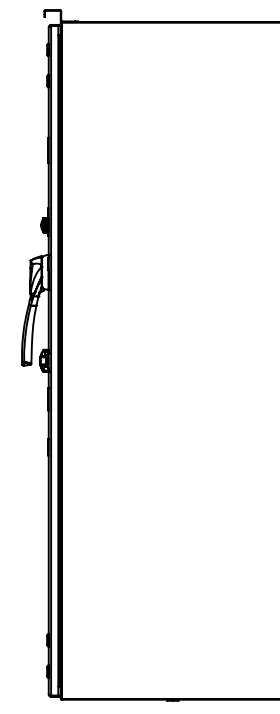
MAX VOLTAGE - 600VAC 3 $\phi$   
 RATED CURRENT - 600 A  
 STANDARDS - UL508A  
 ENCLOSURE RATING - NEMA 3R  
 REF. ES100145BF  
 DURABILITY - 6050 CYCLES  
 EST SHIPPING WEIGHT - 400LBS



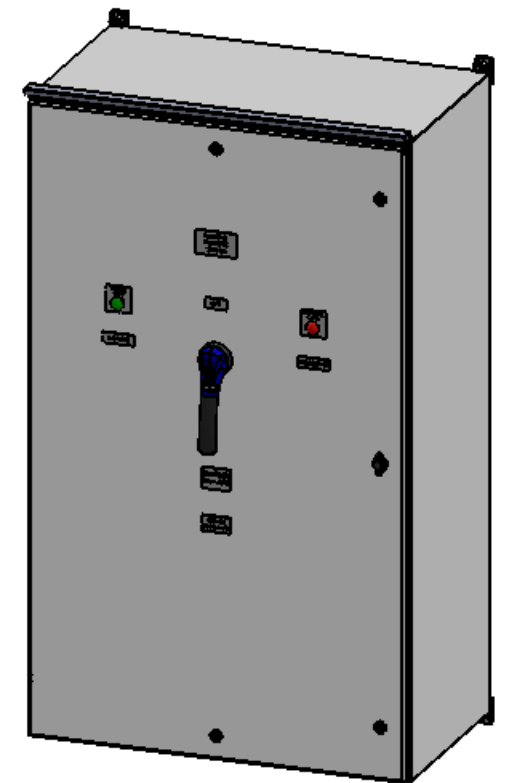
TOP VIEW



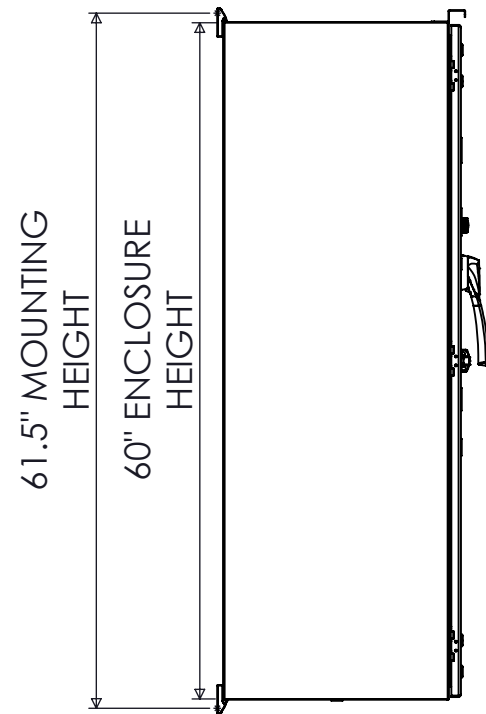
FRONT VIEW



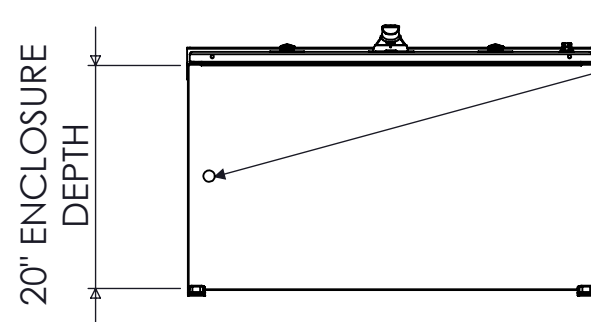
SIDE VIEW



DIMETRIC VIEW



SIDE VIEW



BOTTOM VIEW

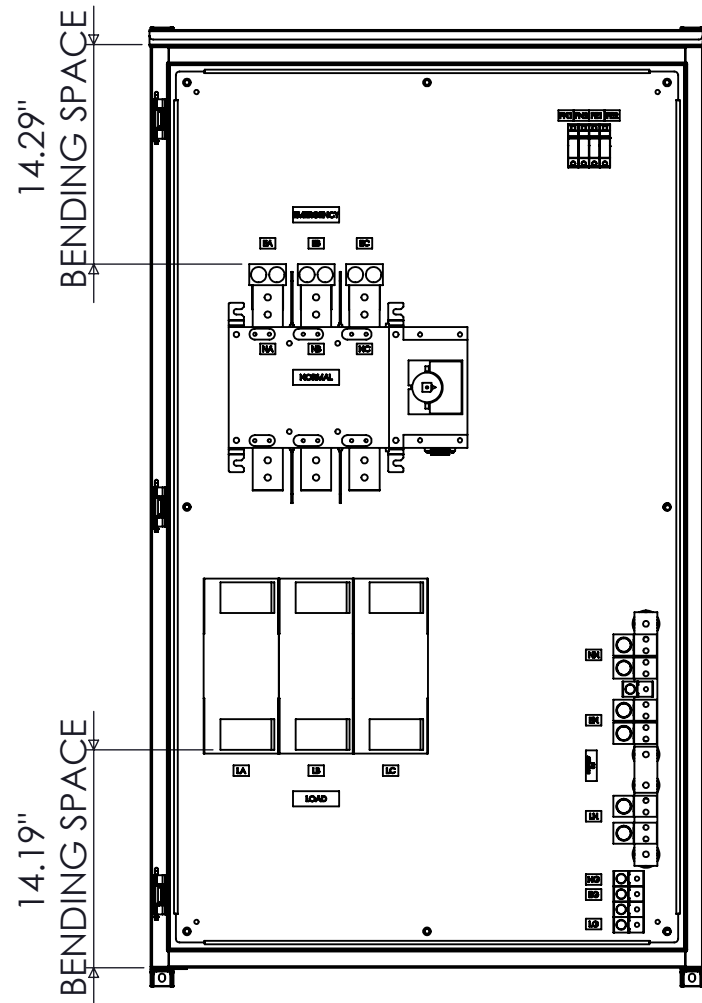
DRAIN PLUG

**600A FUSIBLE 3-POLE NEMA 3R MANUAL TRANSFER SWITCH**

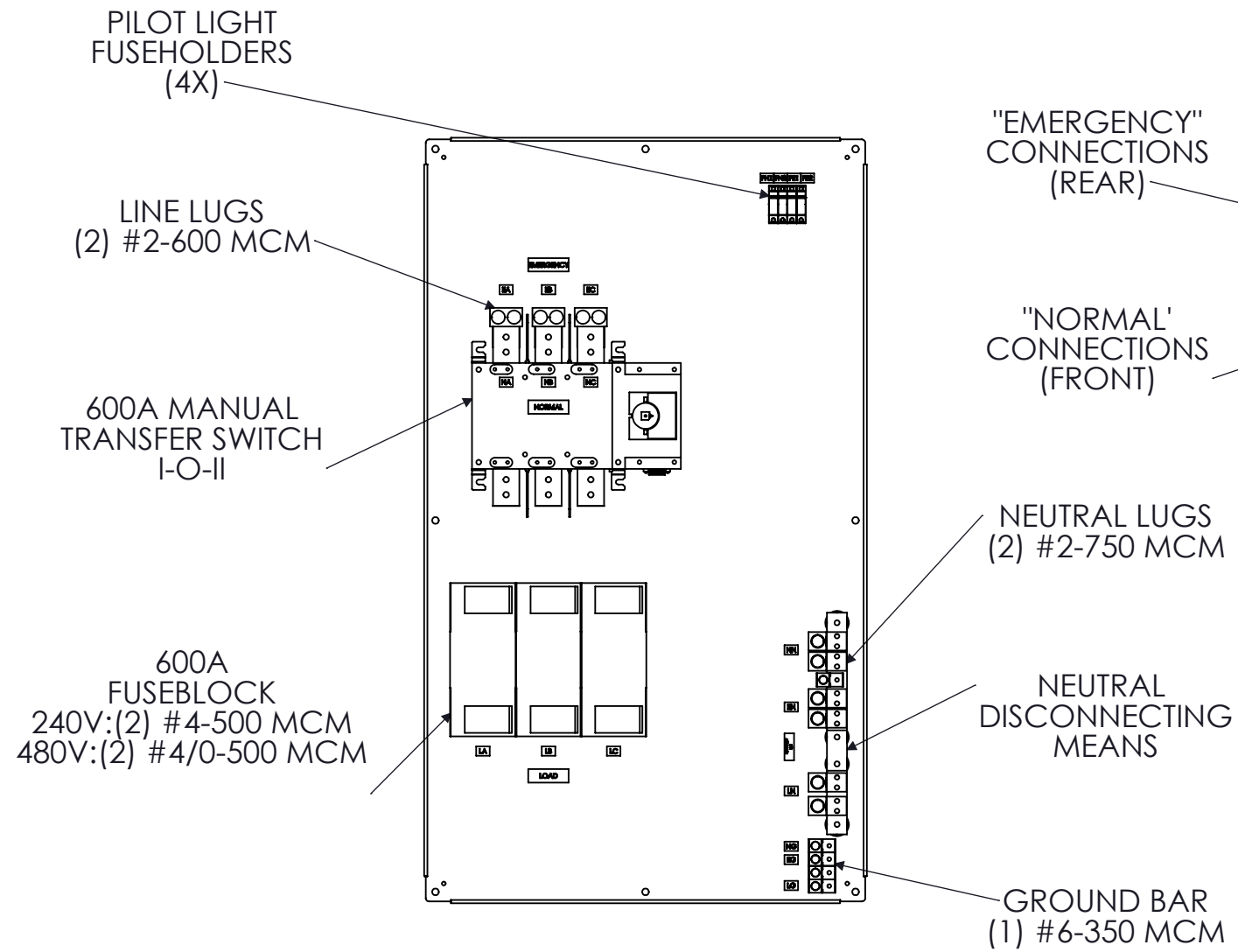
REV	DESCRIPTION	DATE	DRAWN	S.RICHARDSON	
0	ORIGINAL RELEASE	1/20/14	CHECKED		
			SUP. NO		DRAWING TYPE
			SUP. BY NO		DIMENSIONAL
			PANEL NO		DRAWING NUMBER
			BUL. NO		<b>STS600N3RBF3</b>
			GROUP NO		
			ORDER NO		



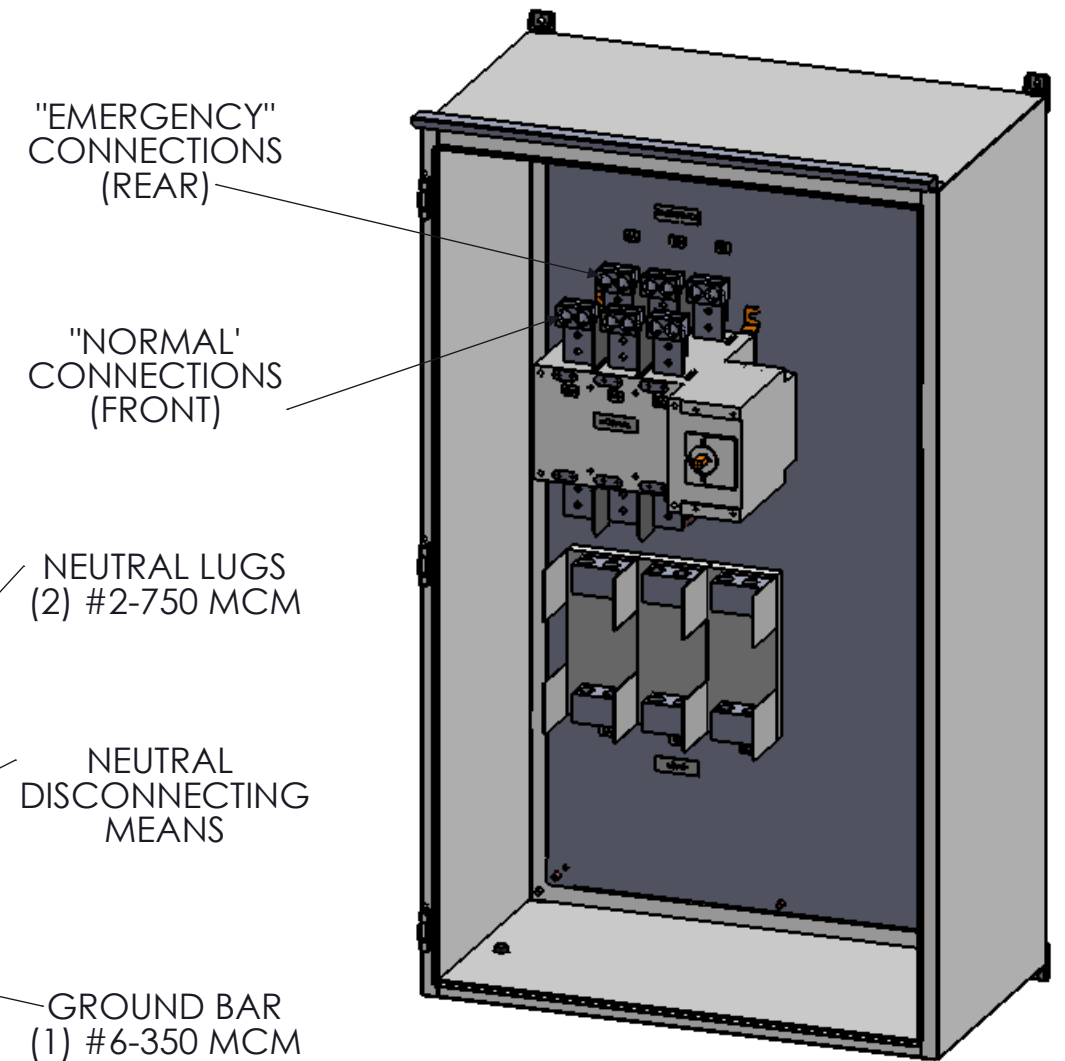
9900 TWIN LAKES PARKWAY  
 CHARLOTTE, NC 28269  
 704-596-5617  
 PSICONTROLSOLUTIONS.COM



FRONT VIEW  
DOOR REMOVED



FRONT VIEW  
ENCLOSURE REMOVED



DIMETRIC VIEW  
DOOR REMOVED

NOTE: FUSES PROVIDED IF PURCHASED  
208-240VAC : FRN-R-600  
480-600VAC : LPJ-600SP

 9900 TWIN LAKES PARKWAY  
CHARLOTTE, NC 28269  
704-596-5617  
PSICONTROLSOLUTIONS.COM

600A FUSIBLE 3-POLE NEMA 3R MANUAL TRANSFER SWITCH

REV	DESCRIPTION	DATE	DRAWN	S.RICHARDSON	CHECKED
0	ORIGINAL RELEASE	1/20/14			
				SUP. NO	
				SUP. BY NO	
				PANEL NO	
				BUL. NO	
				GROUP NO	
				ORDER NO	

DRAWING TYPE  
**OUTLINE**  
DRAWING NUMBER  
**STS600N3RBF3**