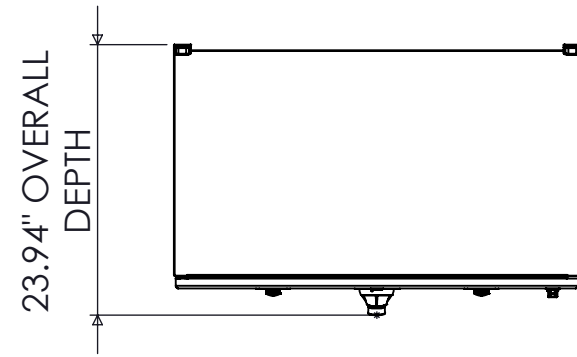
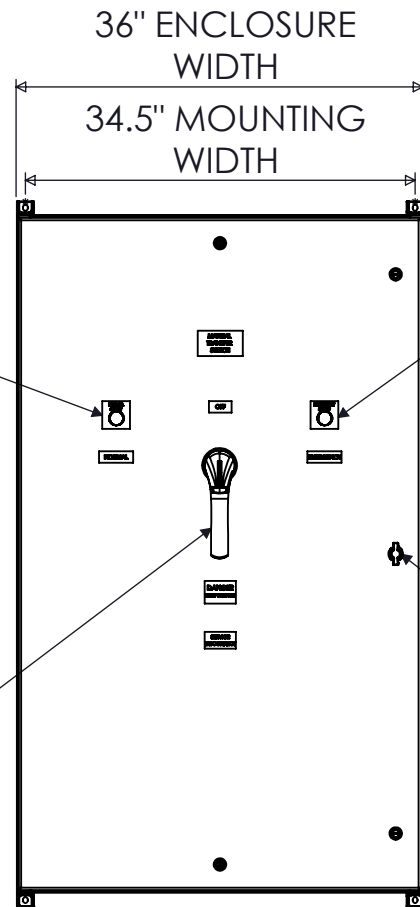


SPECIFICATIONS

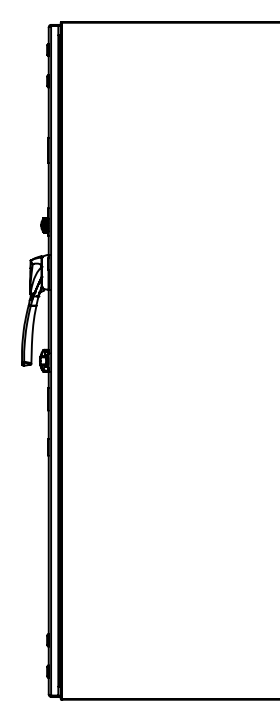
MAX VOLTAGE - 600VAC 3 ϕ
 RATED CURRENT - 600 A
 STANDARDS - UL508A
 ENCLOSURE RATING - NEMA 1
 REF. ES100145BF
 DURABILITY - 6050 CYCLES
 EST SHIPPING WEIGHT - 400LBS



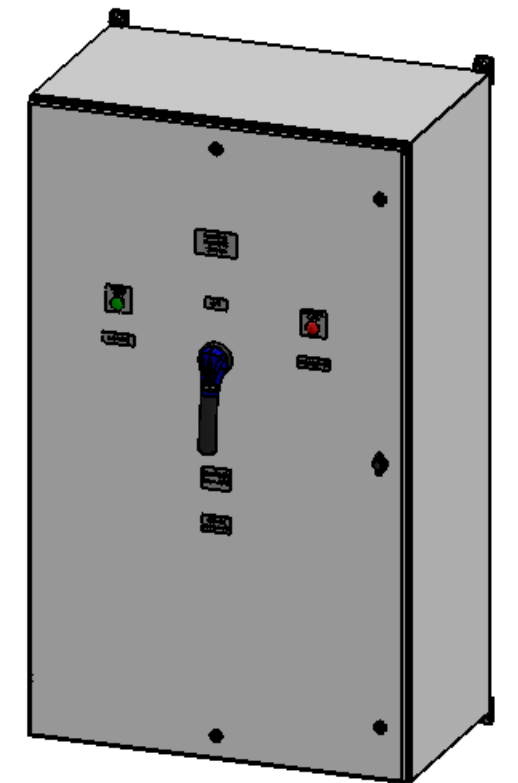
TOP VIEW



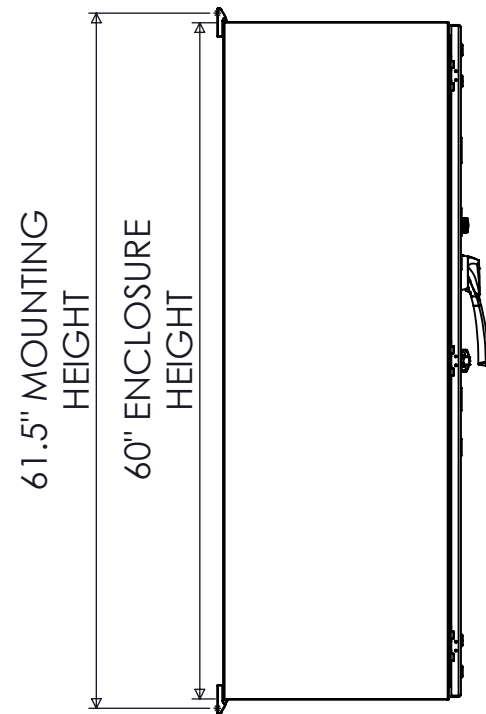
FRONT VIEW



SIDE VIEW

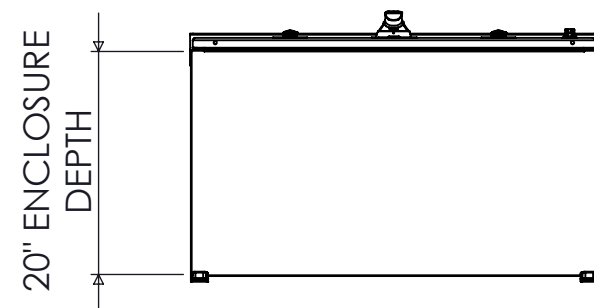


DIMETRIC VIEW



SIDE VIEW

"NORMAL SUPPLY" (GREEN)
 "EMERGENCY SUPPLY" (RED)
 PADLOCKABLE HANDLE I-O-II
 PADLOCKABLE WINGKNOB LATCH

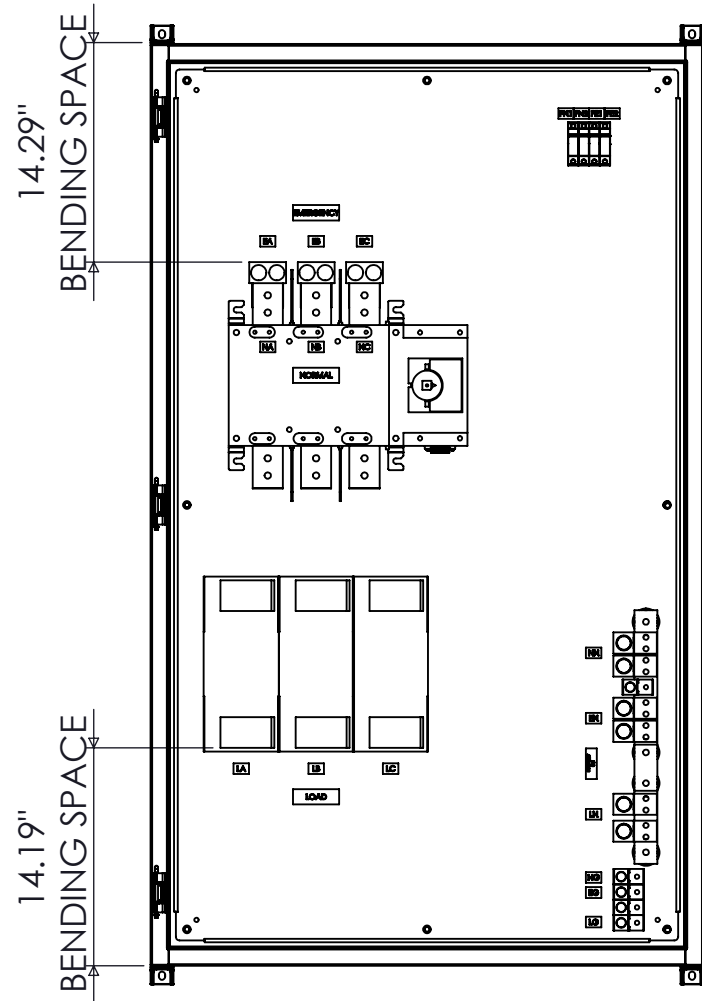


BOTTOM VIEW

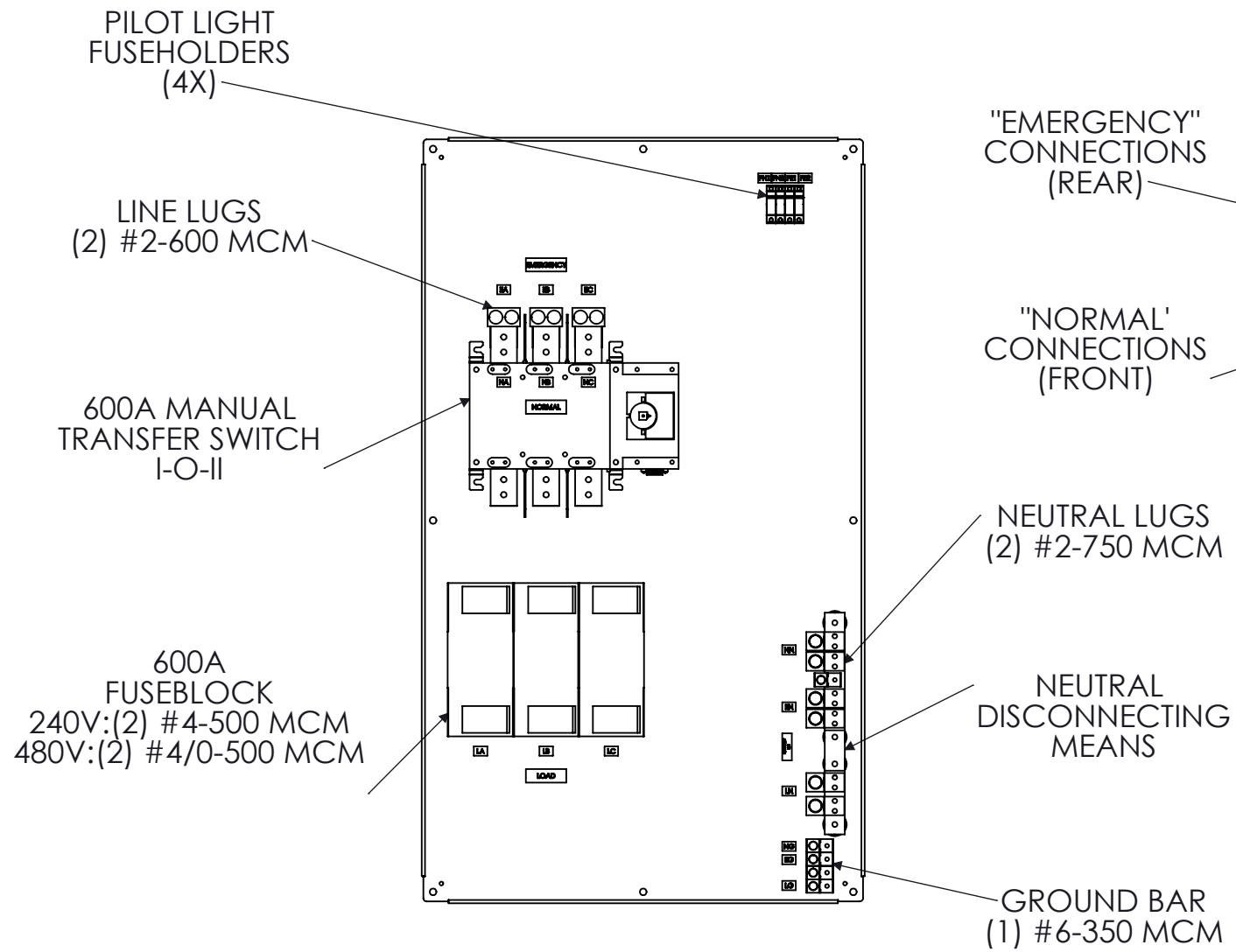
600A FUSIBLE 3-POLE NEMA 1 MANUAL TRANSFER SWITCH			
REV	DESCRIPTION	DATE	DRAWN S.RICHARDSON
0	ORIGINAL RELEASE	1/20/14	CHECKED
			SUP. NO
			SUP. BY NO
			PANEL NO
			BUIL. NO
			GROUP NO
			ORDER NO

PSI CONTROL SOLUTIONS
 9900 TWIN LAKES PARKWAY
 CHARLOTTE, NC 28269
 704-596-5617
 PSICONTROLSOLUTIONS.COM

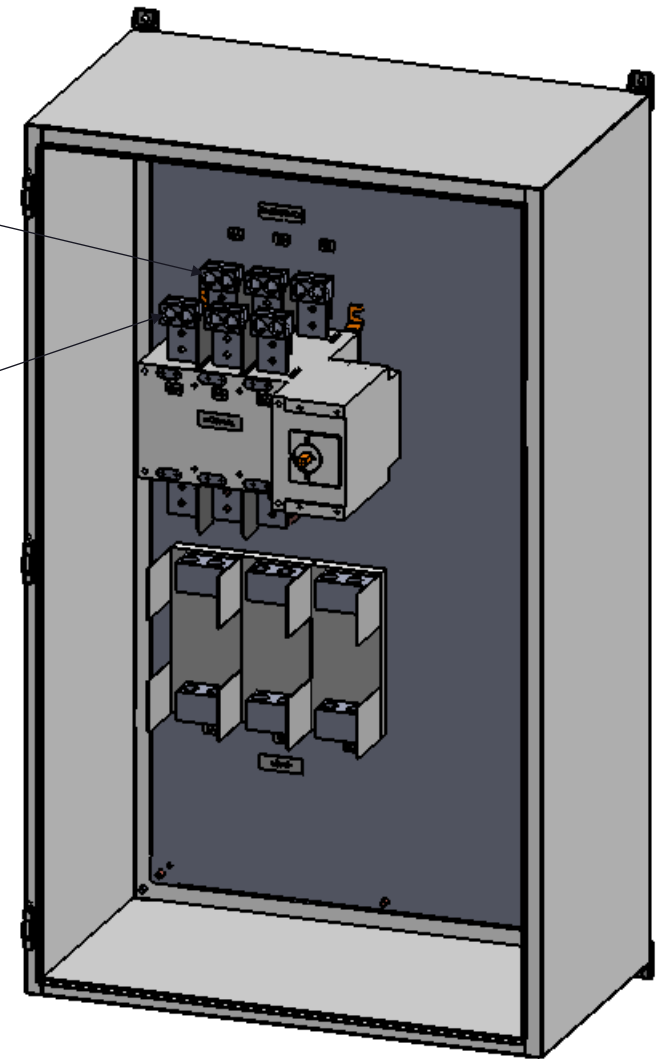
DRAWING TYPE
DIMENSIONAL
 DRAWING NUMBER
STS600N1BF3



FRONT VIEW
DOOR REMOVED



FRONT VIEW
ENCLOSURE REMOVED



DIMETRIC VIEW
DOOR REMOVED

NOTE: FUSES PROVIDED IF PURCHASED
 208-240VAC : FRN-R-600
 480-600VAC : LPJ-600SP

 9900 TWIN LAKES PARKWAY
 CHARLOTTE, NC 28269
 704-596-5617
 PSICONTROLSOLUTIONS.COM

600A FUSIBLE 3-POLE NEMA 1 MANUAL TRANSFER SWITCH

REV	DESCRIPTION	DATE	DRAWN	S.RICHARDSON	CHECKED
0	ORIGINAL RELEASE	1/20/14			
				SUP. NO	
				SUP. BY NO	
				PANEL NO	
				BUL. NO	
				GROUP NO	
				ORDER NO	

DRAWING TYPE
OUTLINE
 DRAWING NUMBER
STS600N1BF3