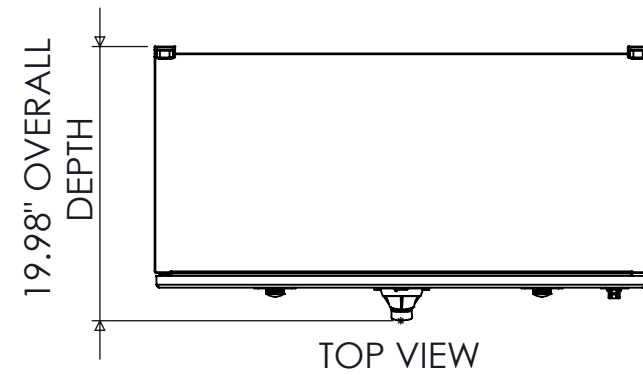
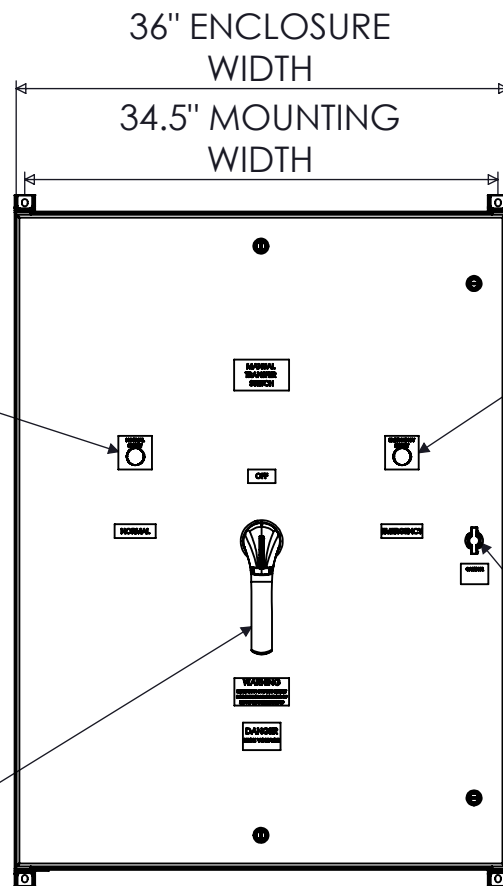


SPECIFICATIONS

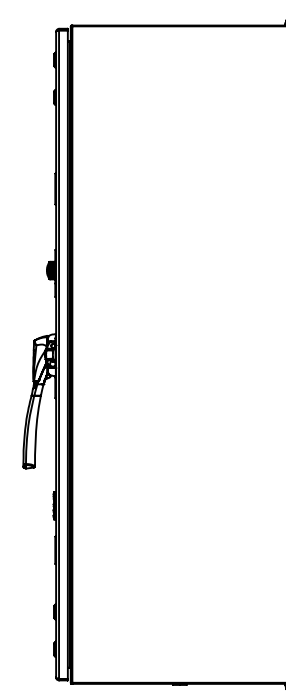
MAX VOLTAGE - 600VAC 3 ϕ
 RATED CURRENT - 400 A
 STANDARDS - UL508A
 ENCLOSURE RATING - NEMA 4X
 TYPE 316 STAINLESS STEEL
 REF. ES100145NF3
 DURABILITY - 6050 CYCLES
 EST SHIPPING WEIGHT - 325LBS



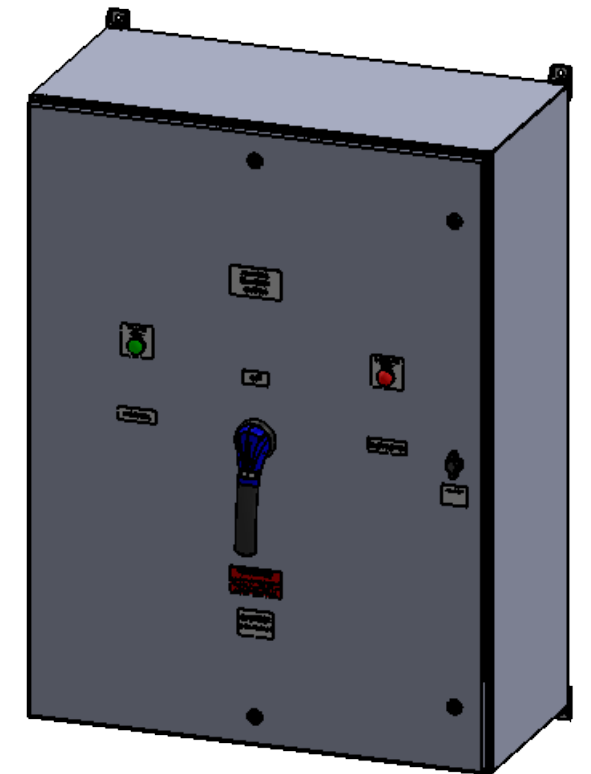
TOP VIEW



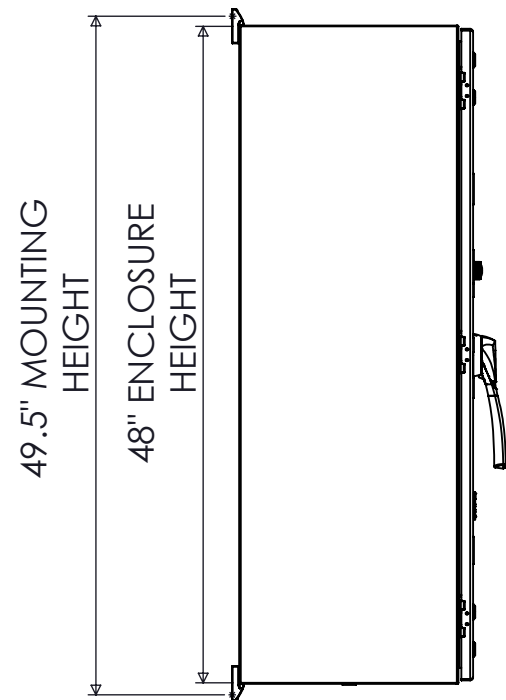
FRONT VIEW



SIDE VIEW



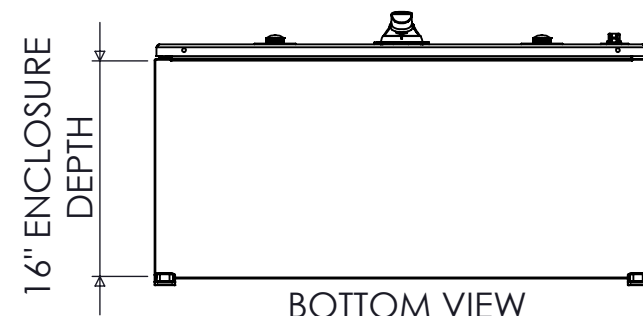
DIMETRIC VIEW



SIDE VIEW

"NORMAL SUPPLY" (GREEN)
 "EMERGENCY SUPPLY" (RED)
 PADLOCKABLE HANDLE I-O-II

"EMERGENCY SUPPLY" (RED)
 PADLOCKABLE WINGKNOB LATCH

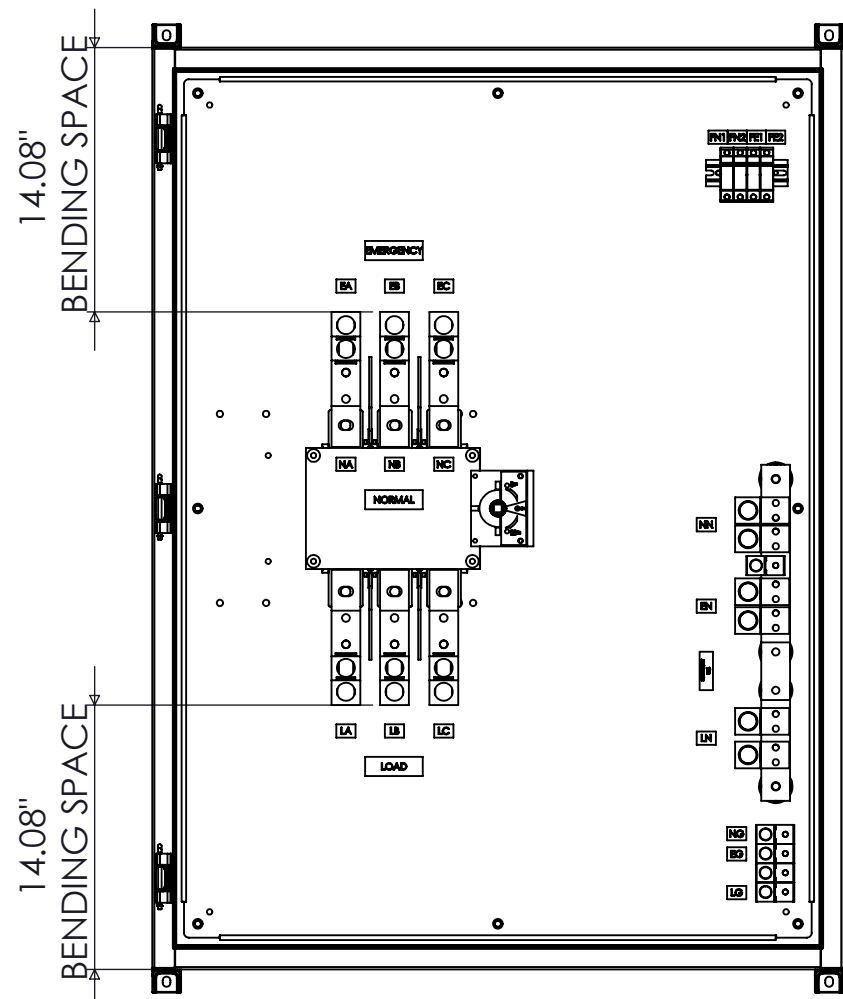


BOTTOM VIEW

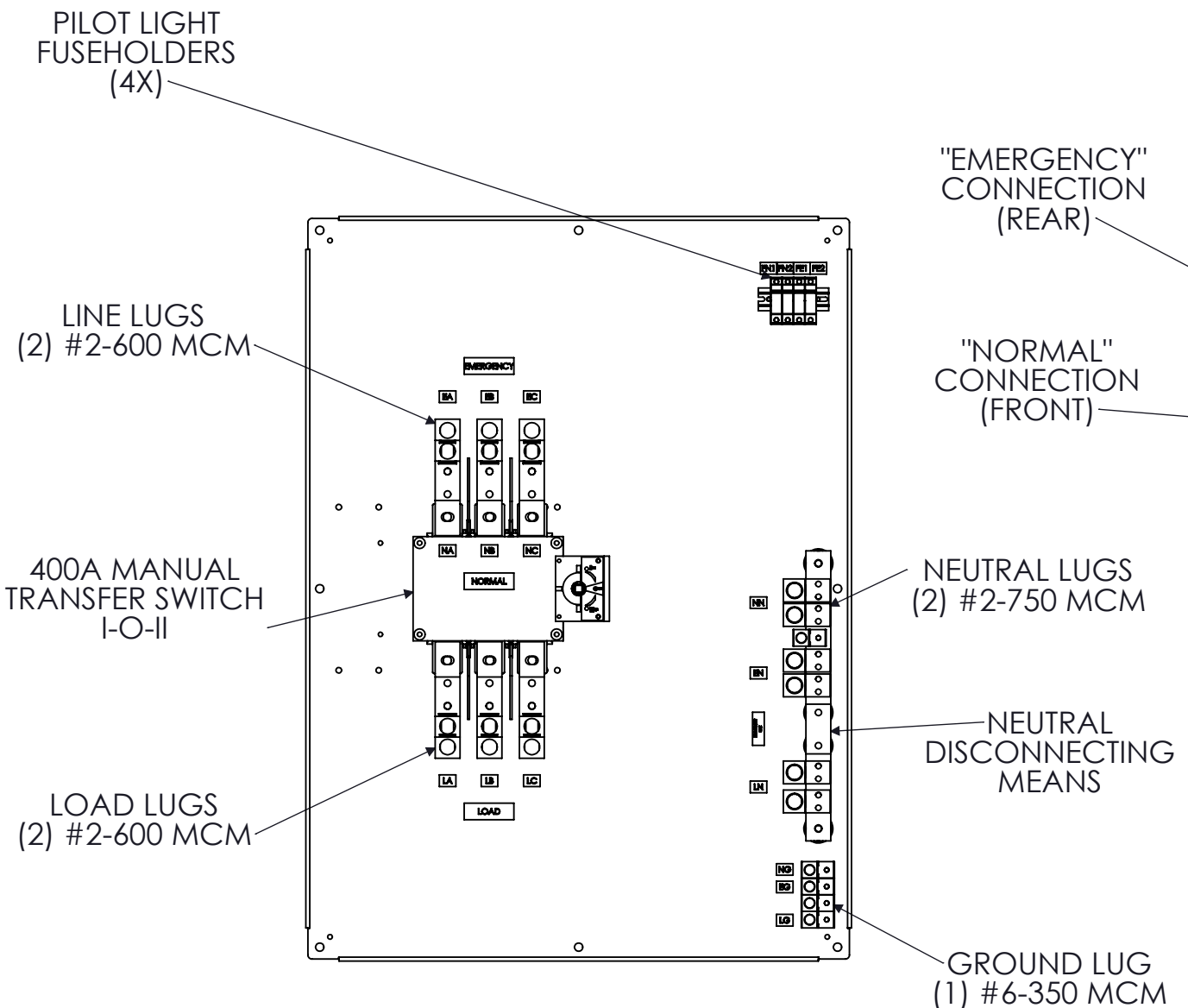
400A NON-FUSED 3-POLE NEMA 4X MANUAL TRANSFER SWITCH

REV	DESCRIPTION	DATE	DRAWN	S.RICHARDSON
0	ORIGINAL RELEASE	12/17/13	CHECKED	
			SUP. NO	DRAWING TYPE
			SUP. BY NO	DIMENSIONAL
			PANEL NO	DRAWING NUMBER
			BUIL. NO	STS400N4XNF3
			GROUP NO	
			ORDER NO	

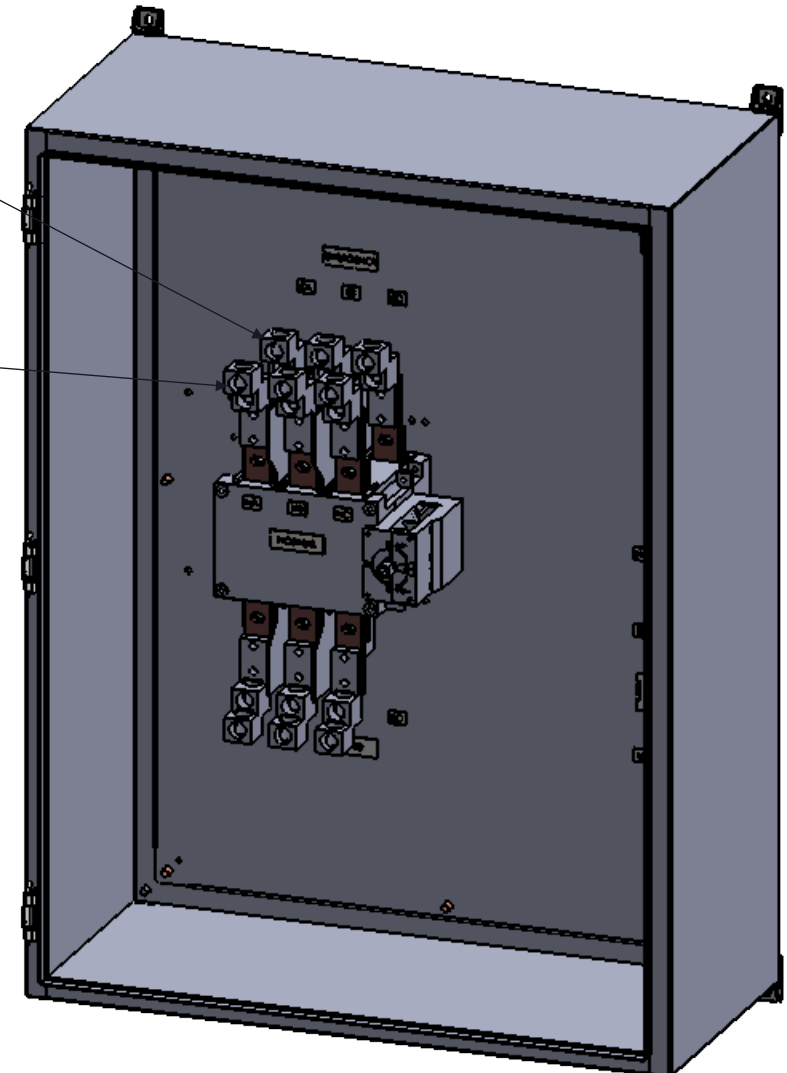

9900 TWIN LAKES PARKWAY
CHARLOTTE, NC 28269
704-596-5617
PSICONTROLSOLUTIONS.COM



FRONT VIEW
DOOR REMOVED




FRONT VIEW
ENCLOSURE REMOVED



DIMETRIC VIEW
DOOR REMOVED

400A NON-FUSED 3-POLE NEMA 4X MANUAL TRANSFER SWITCH					
REV	DESCRIPTION	DATE	DRAWN	S.RICHARDSON	CHECKED
0	ORIGINAL RELEASE	12/17/13			
				SUP. NO	
				SUP. BY NO	
				PANEL NO	
				BUL. NO	
				GROUP NO	
				ORDER NO	
					DRAWING TYPE
					OUTLINE
					DRAWING NUMBER
					STS400N4XNF3



9900 TWIN LAKES PARKWAY
CHARLOTTE, NC 28269
704-596-5617
PSICONTROLSOLUTIONS.COM