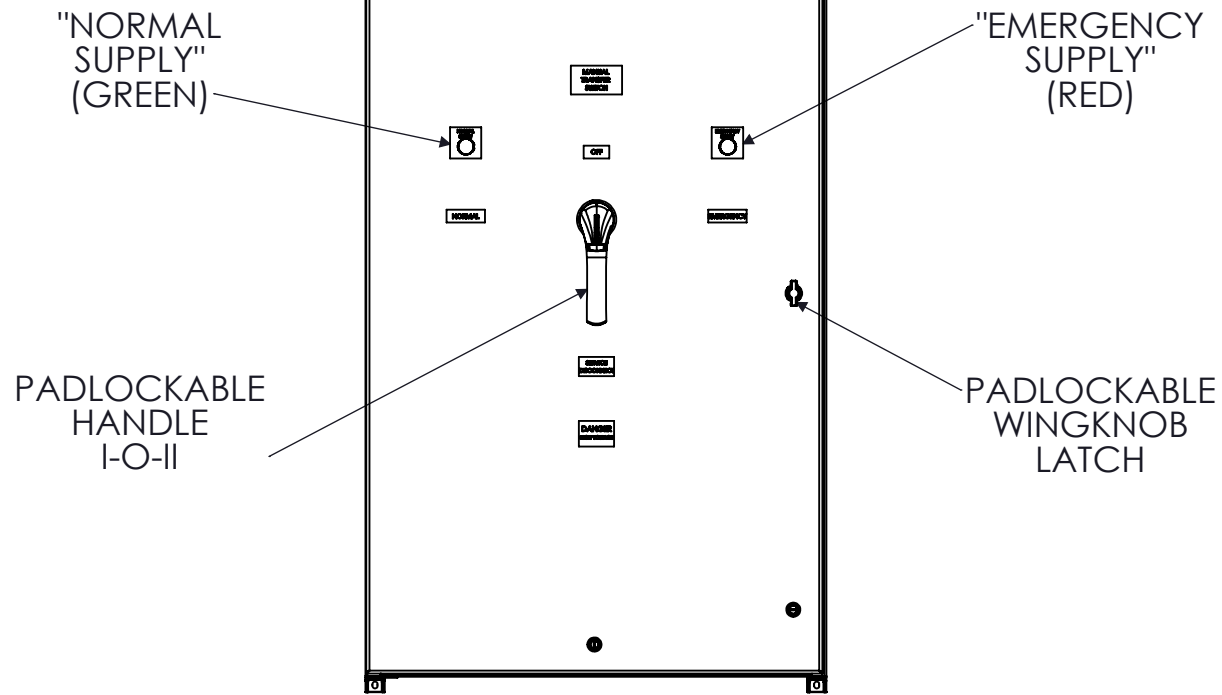
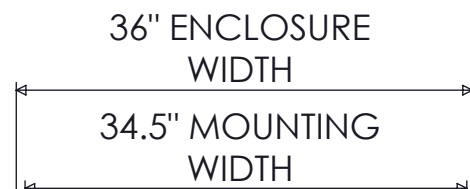
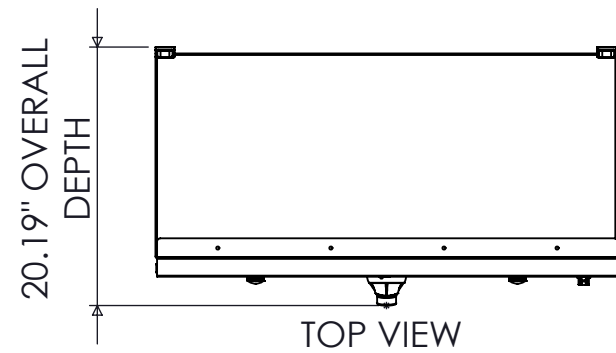
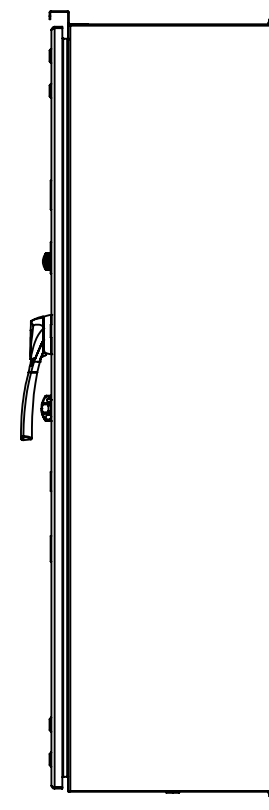


SPECIFICATIONS

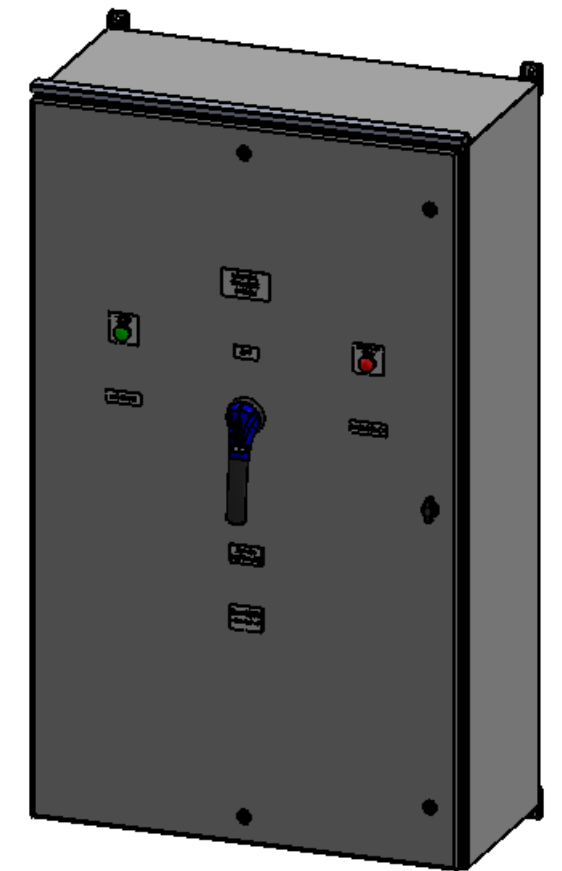
MAX VOLTAGE - 600VAC 3 ϕ
 RATED CURRENT - 400 A
 STANDARDS - UL508A
 ENCLOSURE RATING - NEMA 3R
 REF. ES100145BF
 DURABILITY - 6050 CYCLES
 EST SHIPPING WEIGHT - 350LBS



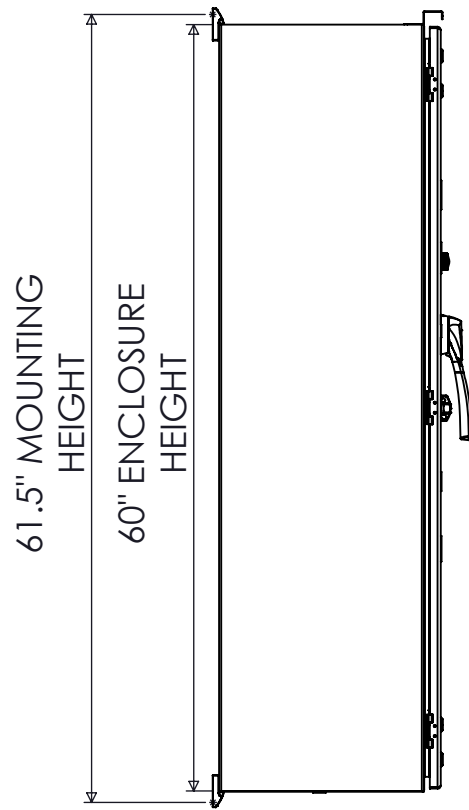
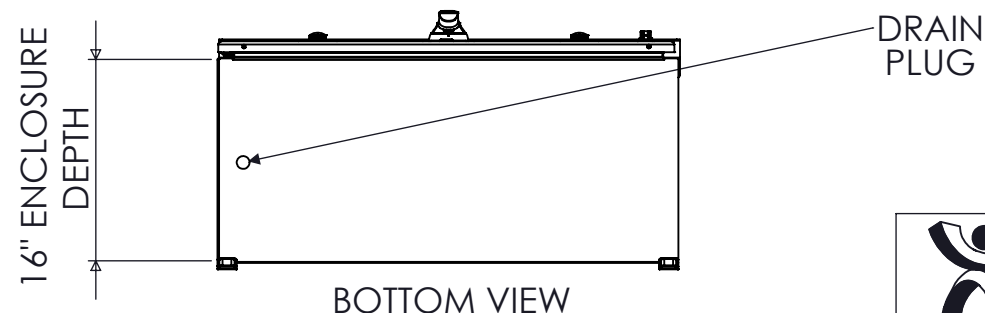
FRONT VIEW



SIDE VIEW



DIMETRIC VIEW



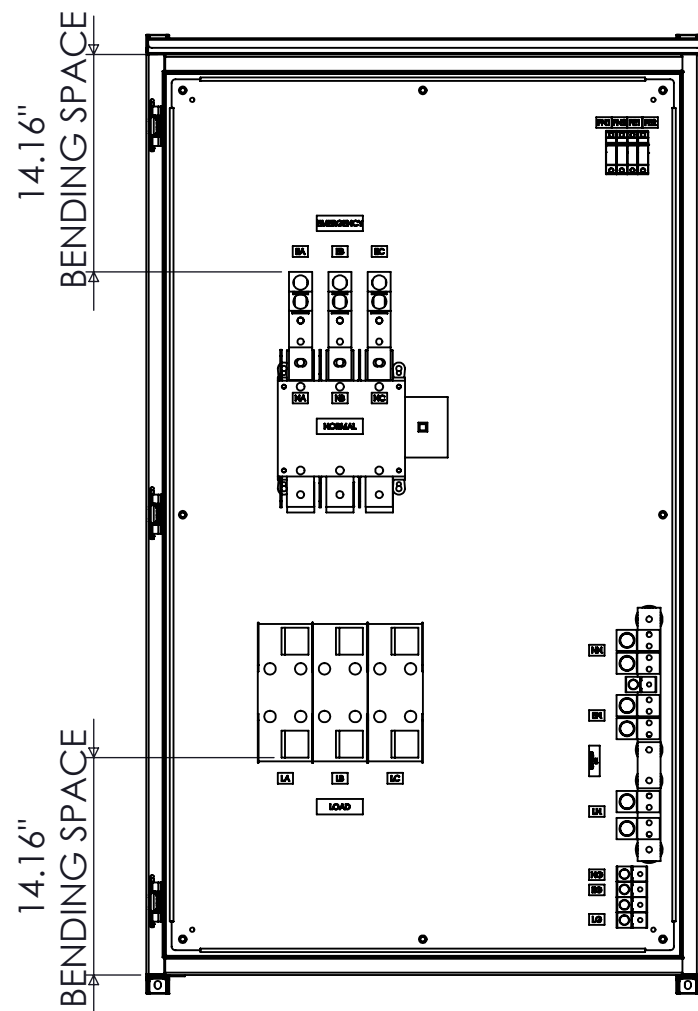
SIDE VIEW

400A FUSIBLE 3-POLE NEMA 3R MANUAL TRANSFER SWITCH

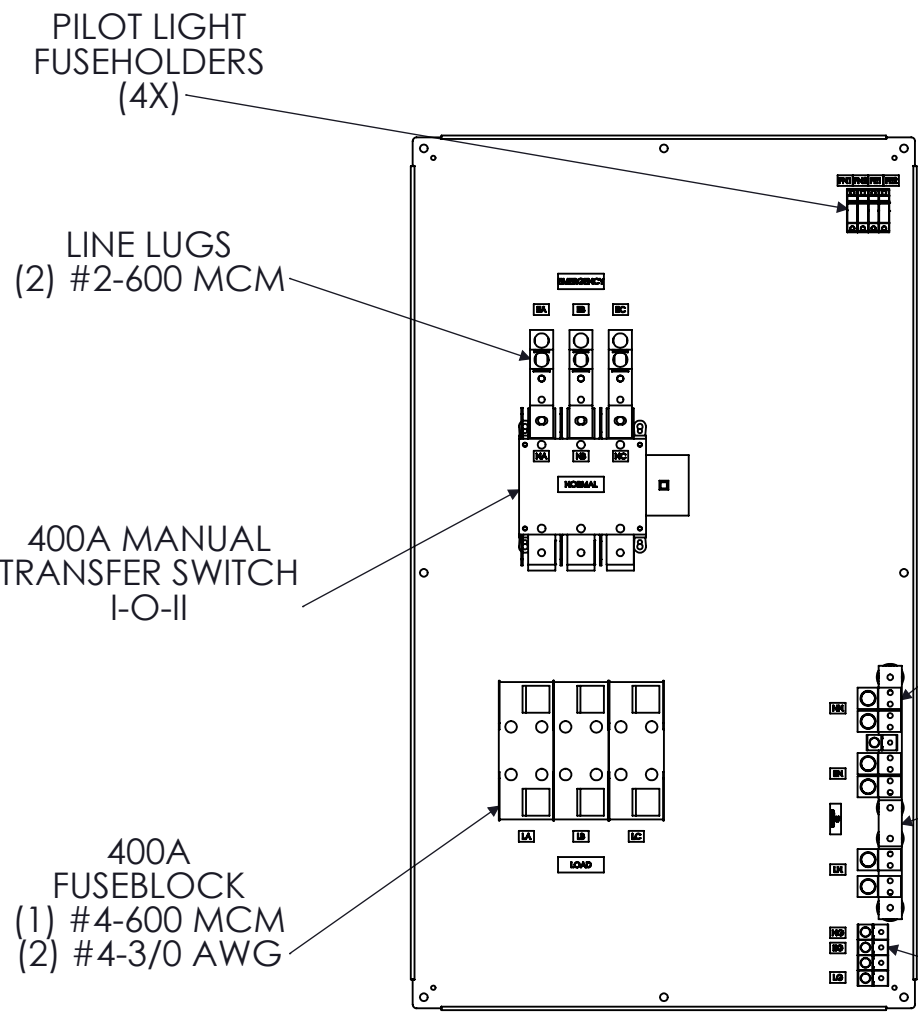
REV	DESCRIPTION	DATE	DRAWN	S.RICHARDSON	CHECKED
0	ORIGINAL RELEASE	1/10/14			
				SUP. NO	DRAWING TYPE
				SUP. BY NO	DIMENSIONAL
				PANEL NO	DRAWING NUMBER
				BUIL. NO	STS400N3RBF3
				GROUP NO	
				ORDER NO	



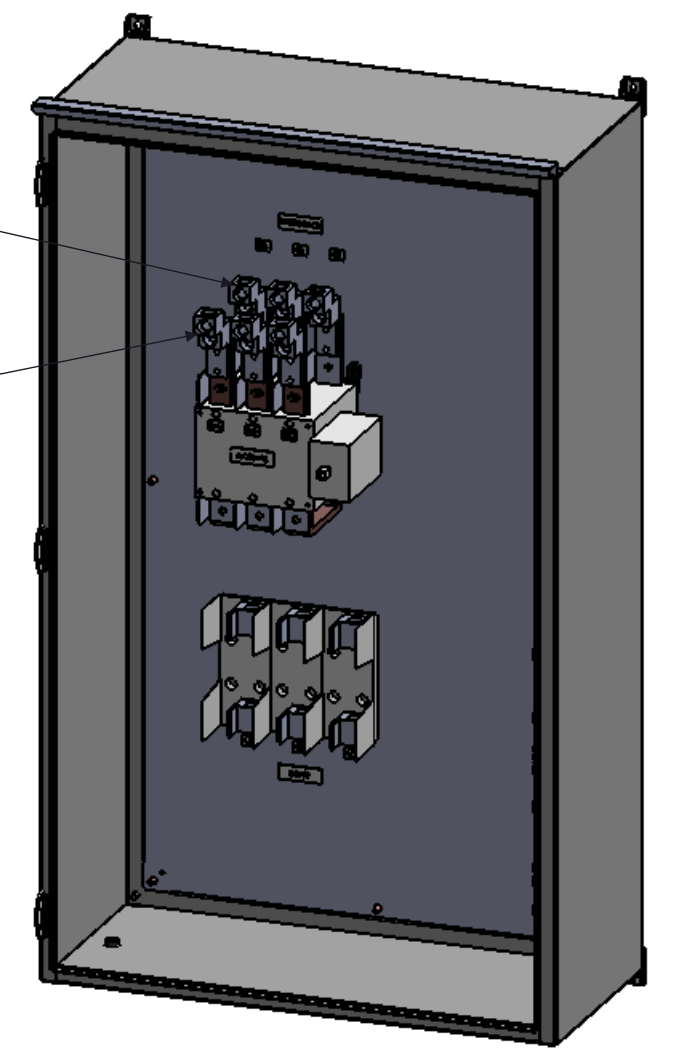
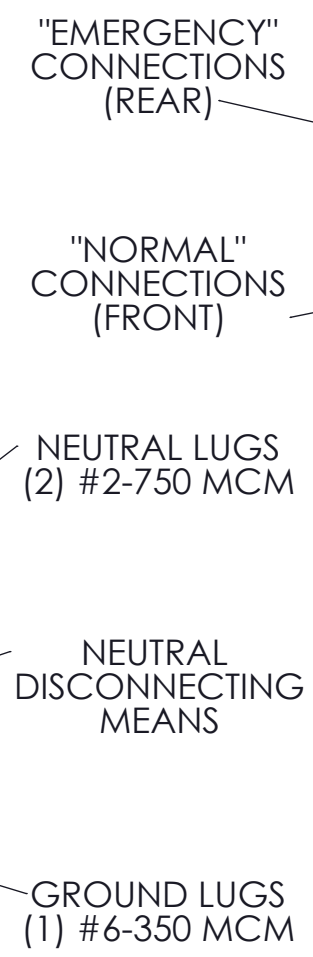
9900 TWIN LAKES PARKWAY
 CHARLOTTE, NC 28269
 704-596-5617
 PSICONTROLSOLUTIONS.COM



FRONT VIEW
DOOR REMOVED



FRONT VIEW
ENCLOSURE REMOVED



DIMETRIC VIEW
DOOR REMOVED

NOTE: FUSES PROVIDED IF PURCHASED
 208-240VAC : FRN-R-400
 480-600VAC : LPJ-400SP



9900 TWIN LAKES PARKWAY
 CHARLOTTE, NC 28269
 704-596-5617
 PSICONTROLSOLUTIONS.COM

400A FUSIBLE 3-POLE NEMA 3R MANUAL TRANSFER SWITCH				
REV	DESCRIPTION	DATE	DRAWN	S.RICHARDSON
0	ORIGINAL RELEASE	1/10/14	CHECKED	
			SUP. NO	DRAWING TYPE
			SUP. BY NO	OUTLINE
			PANEL NO	DRAWING NUMBER
			BUL. NO	STS400N3RBF3
			GROUP NO	
			ORDER NO	