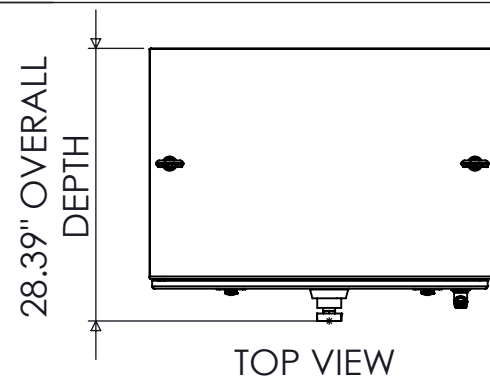


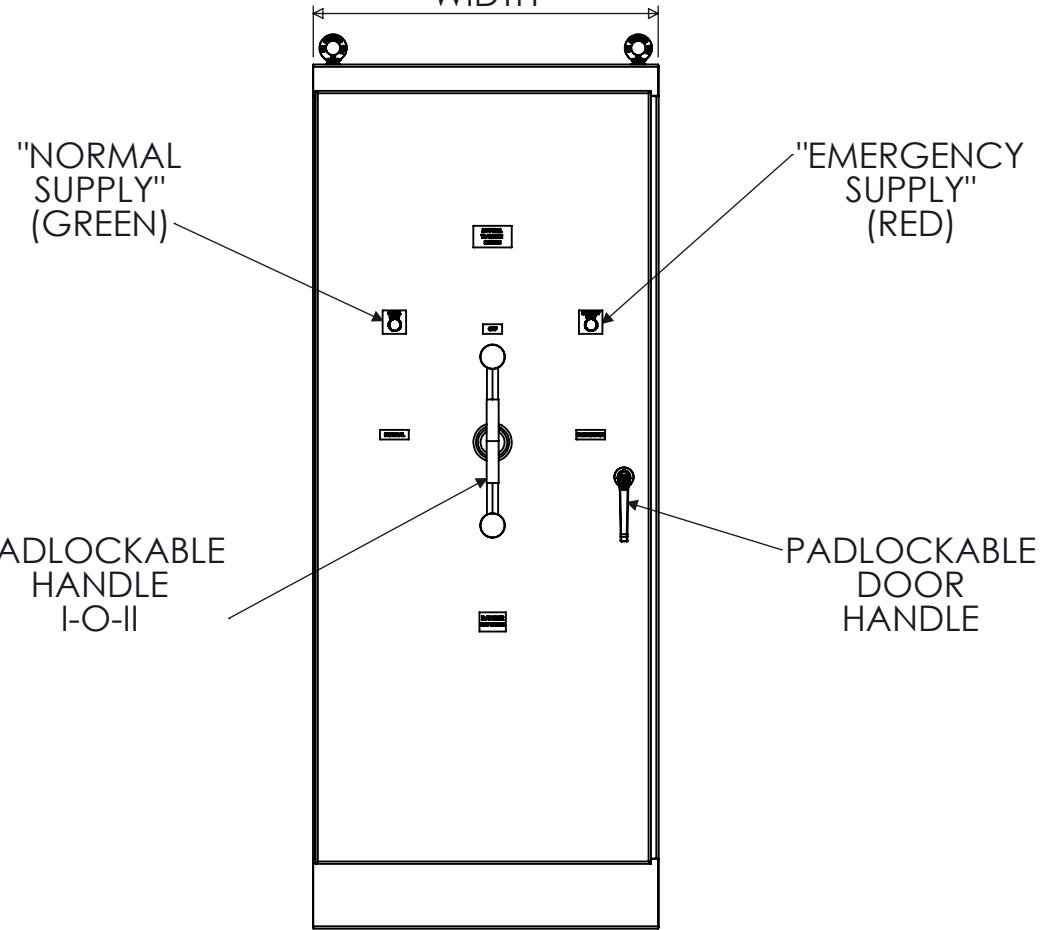
SPECIFICATIONS

MAX VOLTAGE - 600VAC 3 ϕ
 RATED CURRENT - 2500 A
 ENCLOSURE RATING - NEMA 4X
 TYPE 316 STAINLESS STEEL
 REF. ES100145NF
 DURABILITY - 3000 CYCLES
 EST SHIPPING WEIGHT - 850LBS

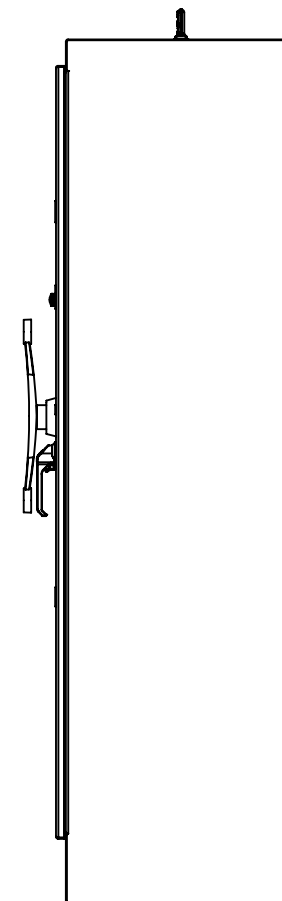


TOP VIEW

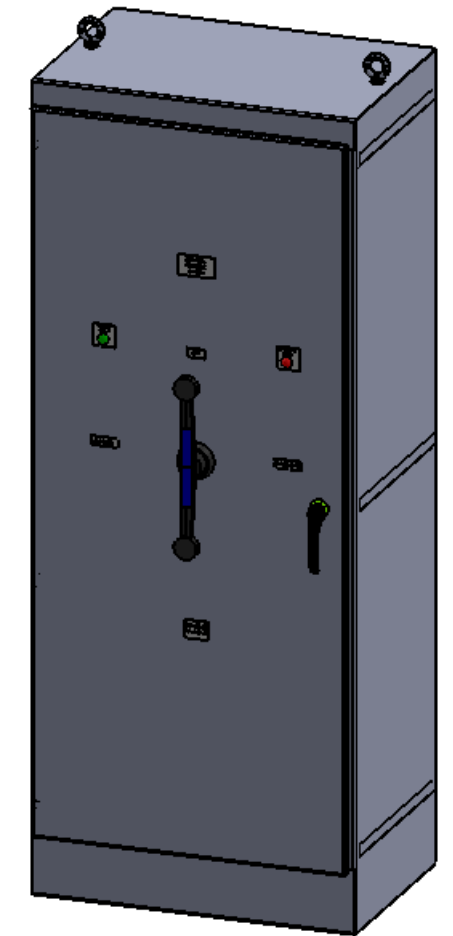
36" ENCLOSURE WIDTH



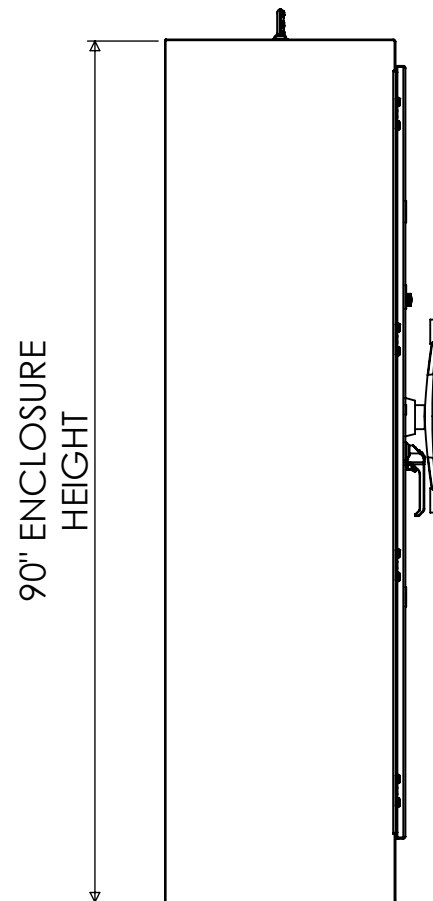
FRONT VIEW



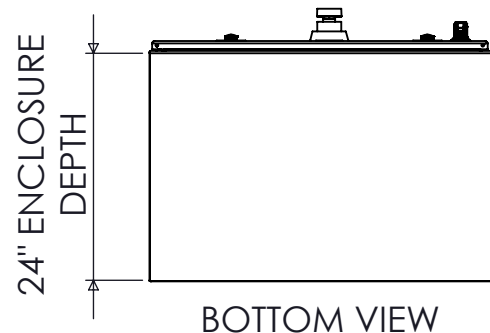
SIDE VIEW



DIMETRIC VIEW



SIDE VIEW



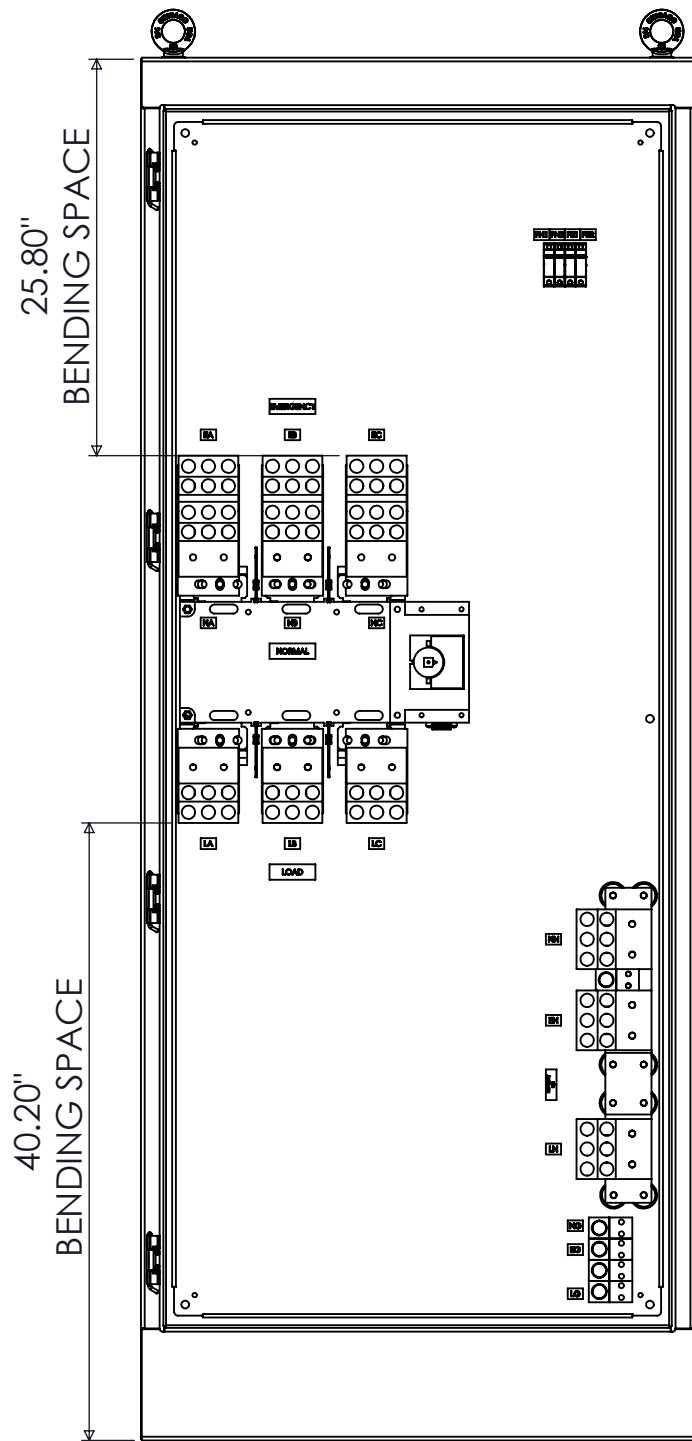
BOTTOM VIEW

2500A NON-FUSED 3-POLE NEMA 4X MANUAL TRANSFER SWITCH

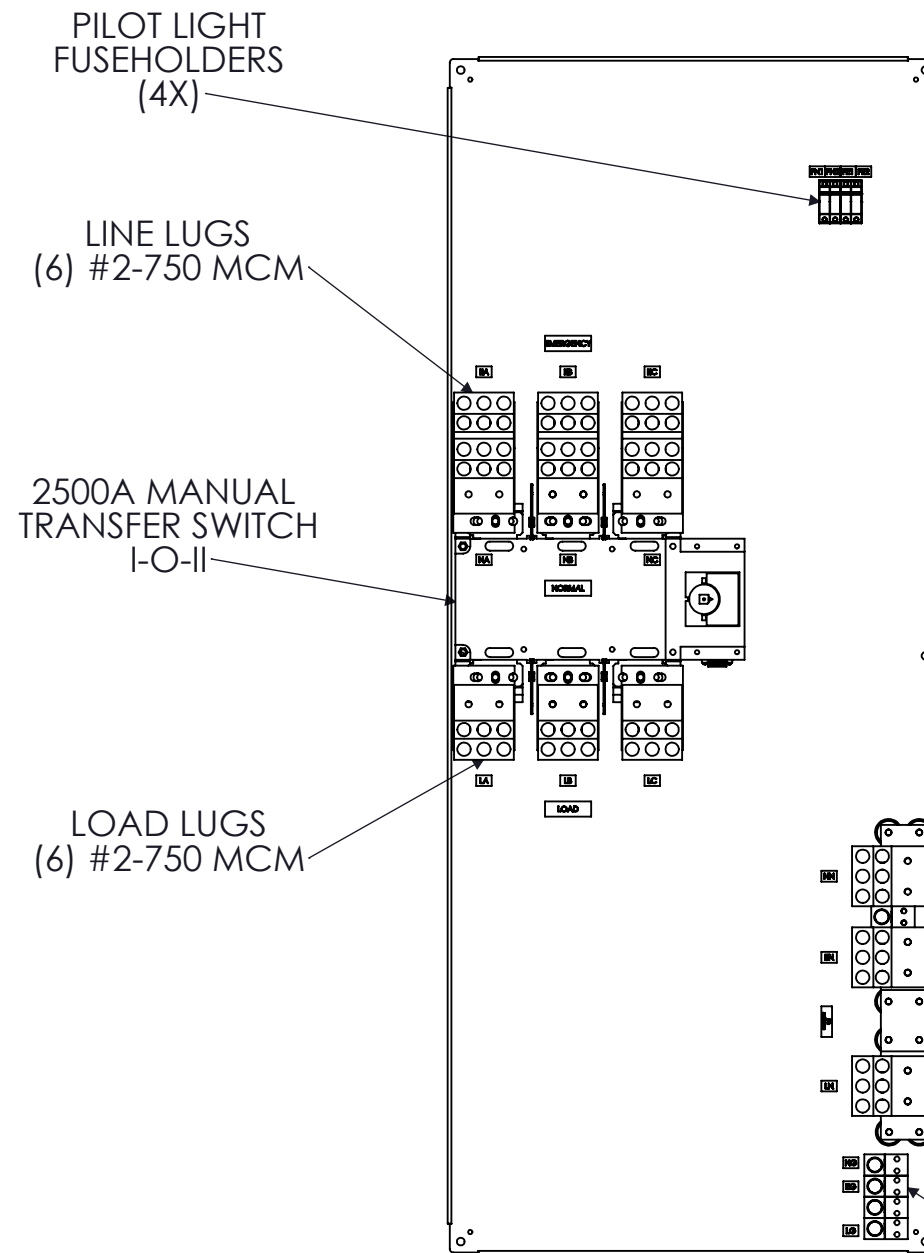
| REV | DESCRIPTION | DATE | DRAWN | S.RICHARDSON | CHECKED |
|-----|------------------|---------|-------|--------------|----------------|
| 0 | ORIGINAL RELEASE | 2/25/14 | | | |
| | | | | SUP. NO | DRAWING TYPE |
| | | | | SUP. BY NO | DIMENSIONAL |
| | | | | PANEL NO | DRAWING NUMBER |
| | | | | BUL. NO | STS2500N4XNF3 |
| | | | | GROUP NO | |
| | | | | ORDER NO | |



9900 TWIN LAKES PARKWAY
 CHARLOTTE, NC 28269
 704-596-5617
 PSICONTROLSOLUTIONS.COM



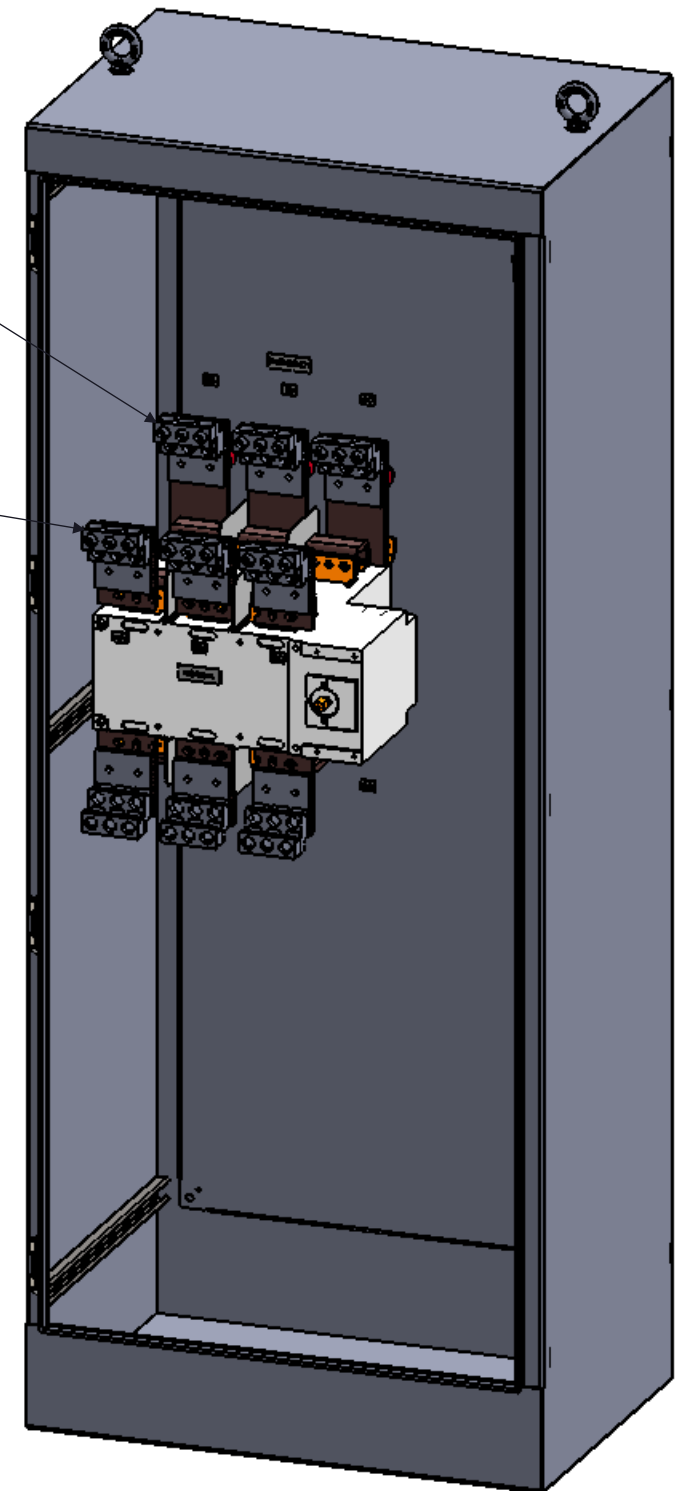
FRONT VIEW
DOOR REMOVED



FRONT VIEW
ENCLOSURE REMOVED

"EMERGENCY"
CONNECTIONS
(REAR)

"NORMAL"
CONNECTIONS
(FRONT)



DIMETRIC VIEW
DOOR REMOVED

2500A NON-FUSED 3-POLE NEMA 4X MANUAL TRANSFER SWITCH

| REV | DESCRIPTION | DATE | DRAWN | S.RICHARDSON | CHECKED |
|-----|------------------|---------|------------|--------------|----------------|
| 0 | ORIGINAL RELEASE | 2/25/14 | | | |
| | | | SUP. NO | | DRAWING TYPE |
| | | | SUP. BY NO | | OUTLINE |
| | | | PANEL NO | | DRAWING NUMBER |
| | | | BUL. NO | | STS2500N4XNF3 |
| | | | GROUP NO | | |
| | | | ORDER NO | | |



9900 TWIN LAKES PARKWAY
CHARLOTTE, NC 28269
704-596-5617
PSICONTROLSOLUTIONS.COM