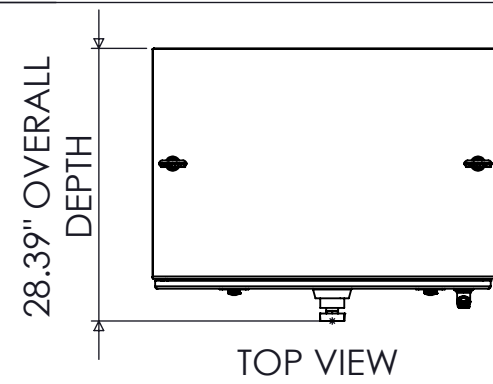
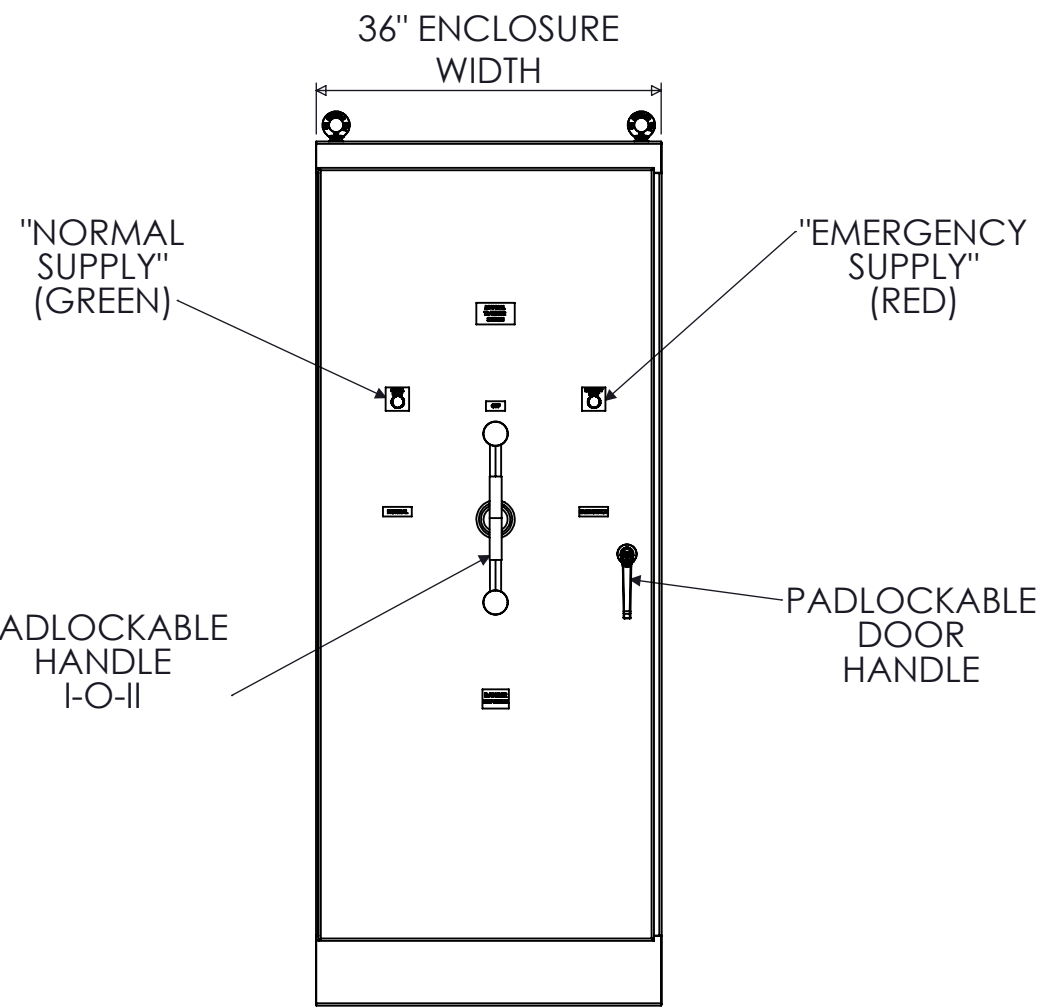


**SPECIFICATIONS**

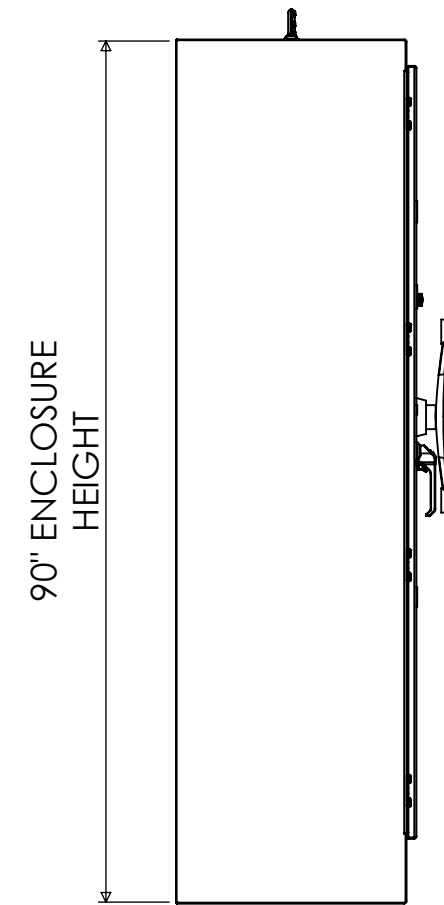
MAX VOLTAGE - 600VAC 3 $\phi$   
 RATED CURRENT - 2500 A  
 ENCLOSURE RATING - NEMA 1  
 REF. ES100145NF  
 DURABILITY - 3000 CYCLES  
 EST SHIPPING WEIGHT - 850LBS



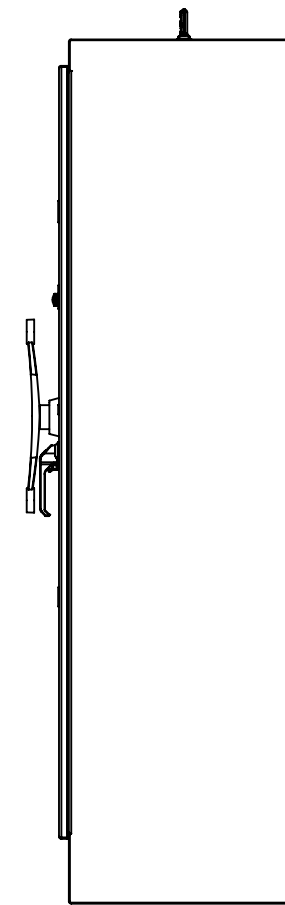
TOP VIEW



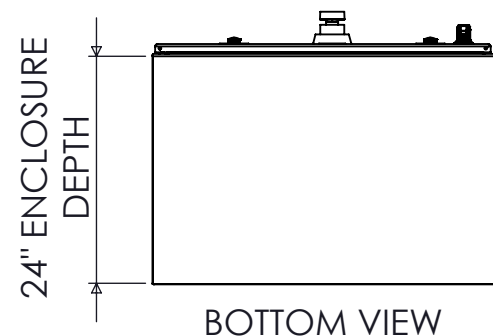
FRONT VIEW



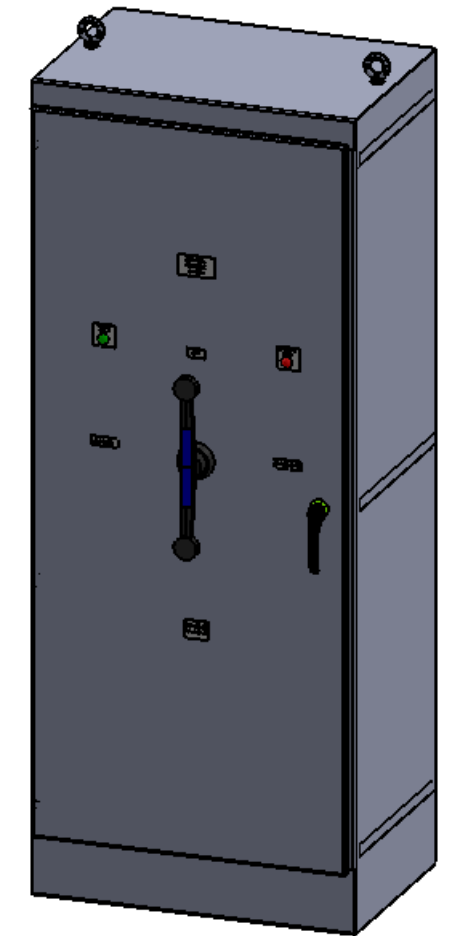
SIDE VIEW



SIDE VIEW



BOTTOM VIEW



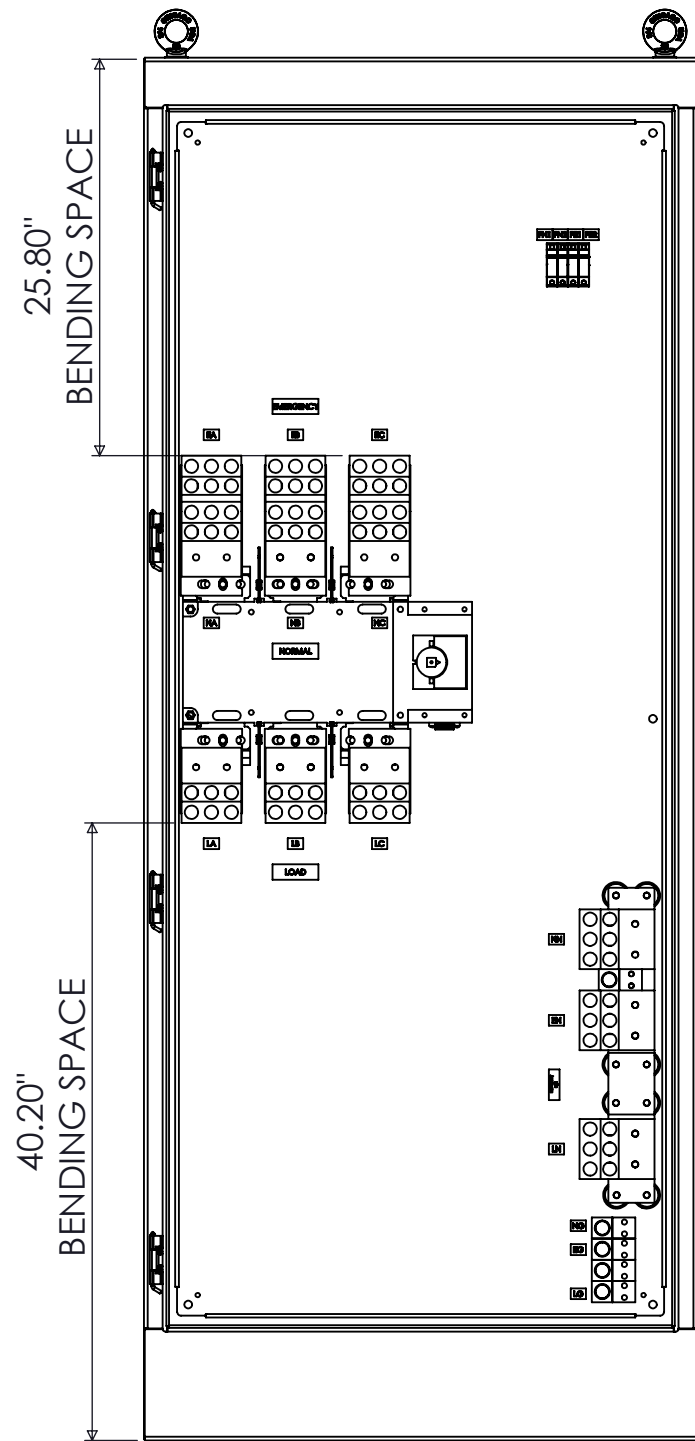
DIMETRIC VIEW

**2500A NON-FUSED 3-POLE NEMA 1 MANUAL TRANSFER SWITCH**

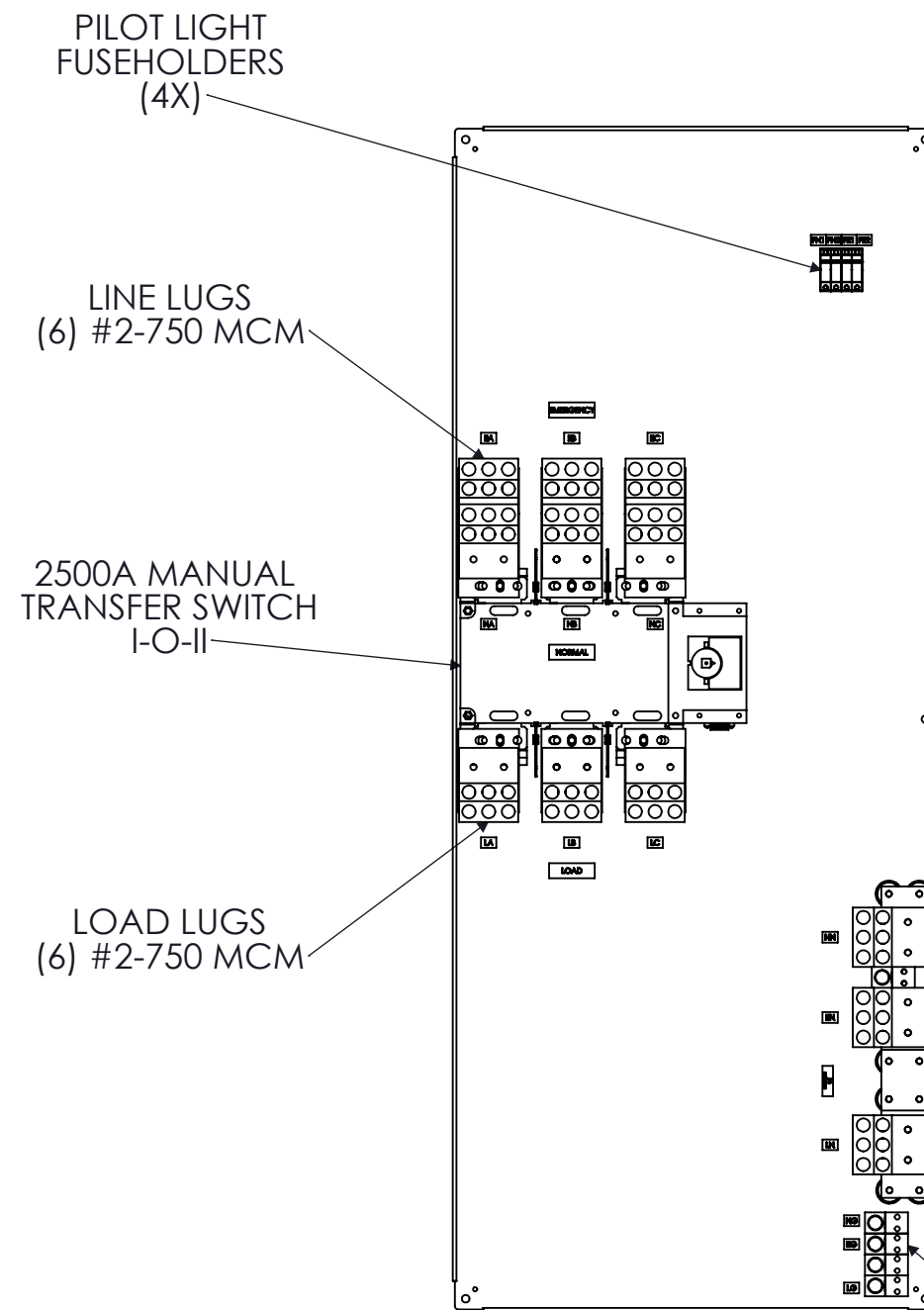
REV	DESCRIPTION	DATE	DRAWN	S.RICHARDSON	CHECKED
0	ORIGINAL RELEASE	2/25/14			
				SUP. NO	DRAWING TYPE
				SUP. BY NO	DIMENSIONAL
				PANEL NO	DRAWING NUMBER
				BUL. NO	STS2500N1NF3
				GROUP NO	
				ORDER NO	



9900 TWIN LAKES PARKWAY  
 CHARLOTTE, NC 28269  
 704-596-5617  
 PSICONTROLSOLUTIONS.COM



FRONT VIEW  
DOOR REMOVED



FRONT VIEW  
ENCLOSURE REMOVED

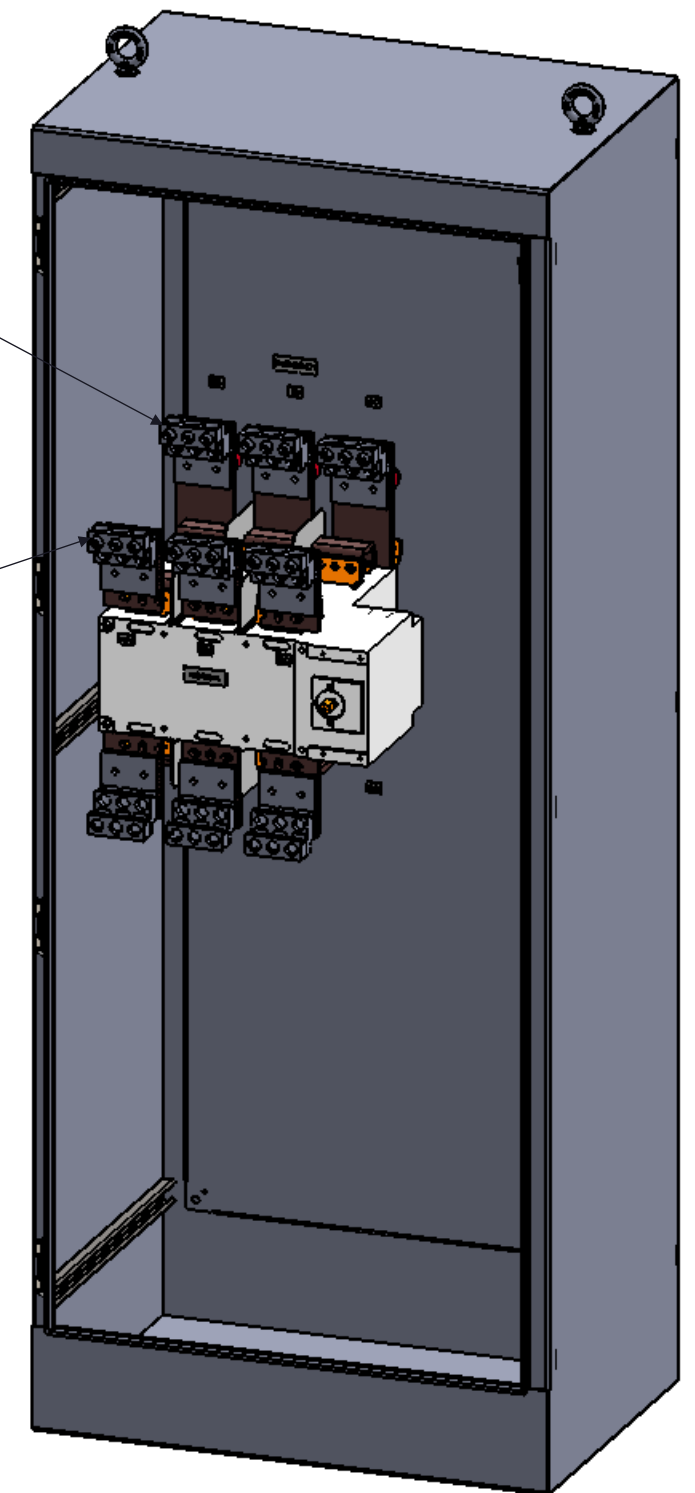
"EMERGENCY"  
CONNECTIONS  
(REAR)

"NORMAL"  
CONNECTIONS  
(FRONT)

NEUTRAL LUGS  
(6) #2-750 MCM

NEUTRAL  
DISCONNECTING  
MEANS

GROUND LUGS  
(1) #2-750 MCM



DIMETRIC VIEW  
DOOR REMOVED

2500A NON-FUSED 3-POLE NEMA 1 MANUAL TRANSFER SWITCH

REV	DESCRIPTION	DATE	DRAWN	S.RICHARDSON	CHECKED
0	ORIGINAL RELEASE	2/25/14			
			SUP. NO		DRAWING TYPE
			SUP. BY NO		OUTLINE
			PANEL NO		DRAWING NUMBER
			BUL. NO		STS2500N1NF3
			GROUP NO		
			ORDER NO		