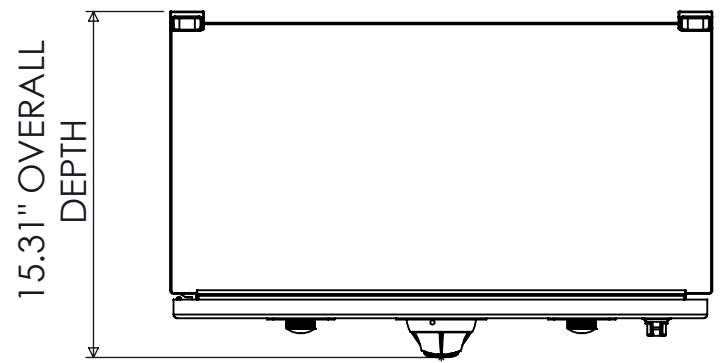
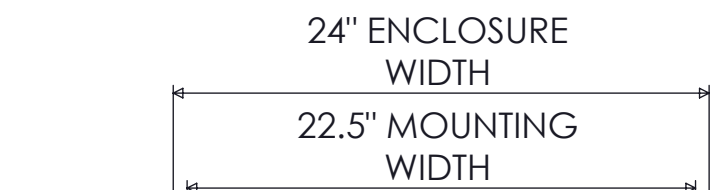


SPECIFICATIONS

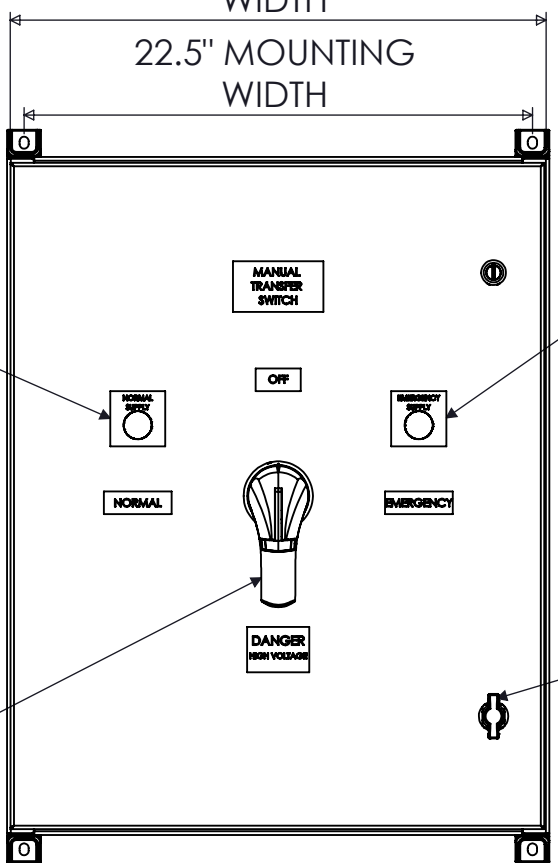
MAX VOLTAGE - 600VAC 3 ϕ
 RATED CURRENT - 200 A
 STANDARDS - UL508A
 ENCLOSURE RATING - NEMA 4X
 TYPE 316 STAINLESS STEEL
 REF. ES100145NF
 DURABILITY - 6050 CYCLES
 EST SHIPPING WEIGHT - 150LBS



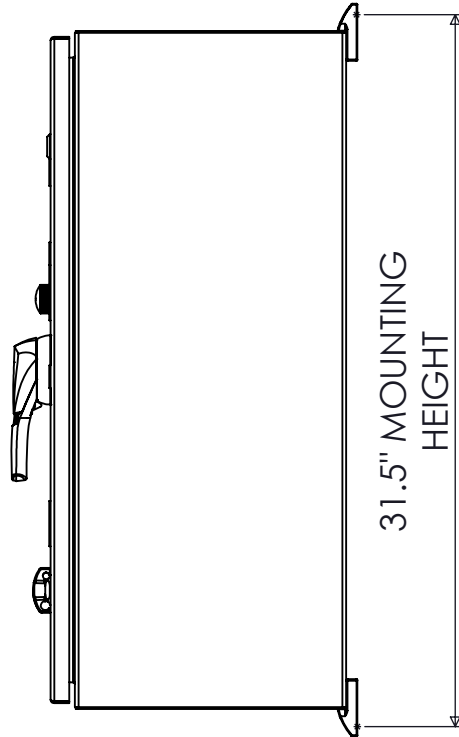
TOP VIEW



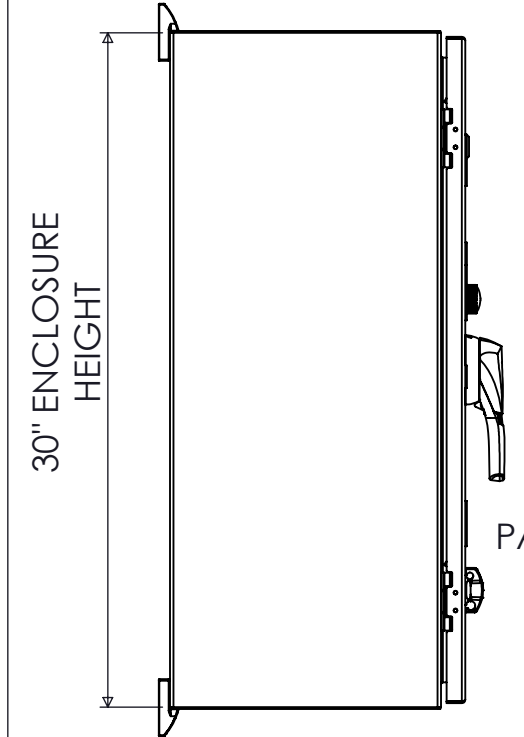
24" ENCLOSURE WIDTH
 22.5" MOUNTING WIDTH



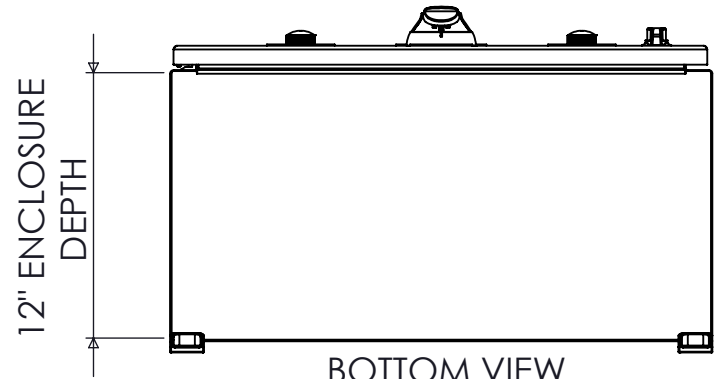
FRONT VIEW



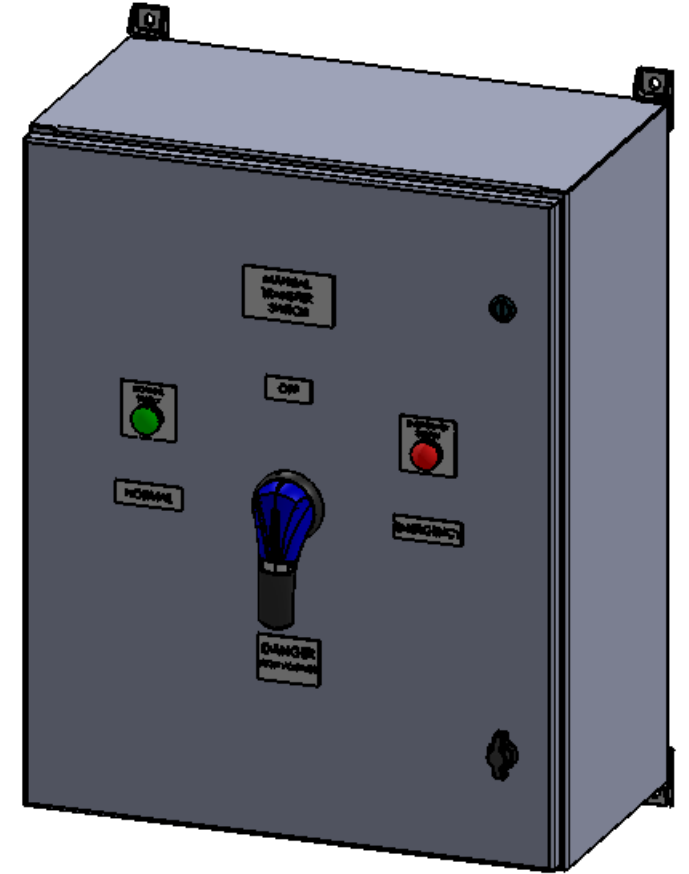
SIDE VIEW



SIDE VIEW



BOTTOM VIEW




DIMETRIC VIEW

200A NON-FUSED 3-POLE NEMA 4X MANUAL TRANSFER SWITCH

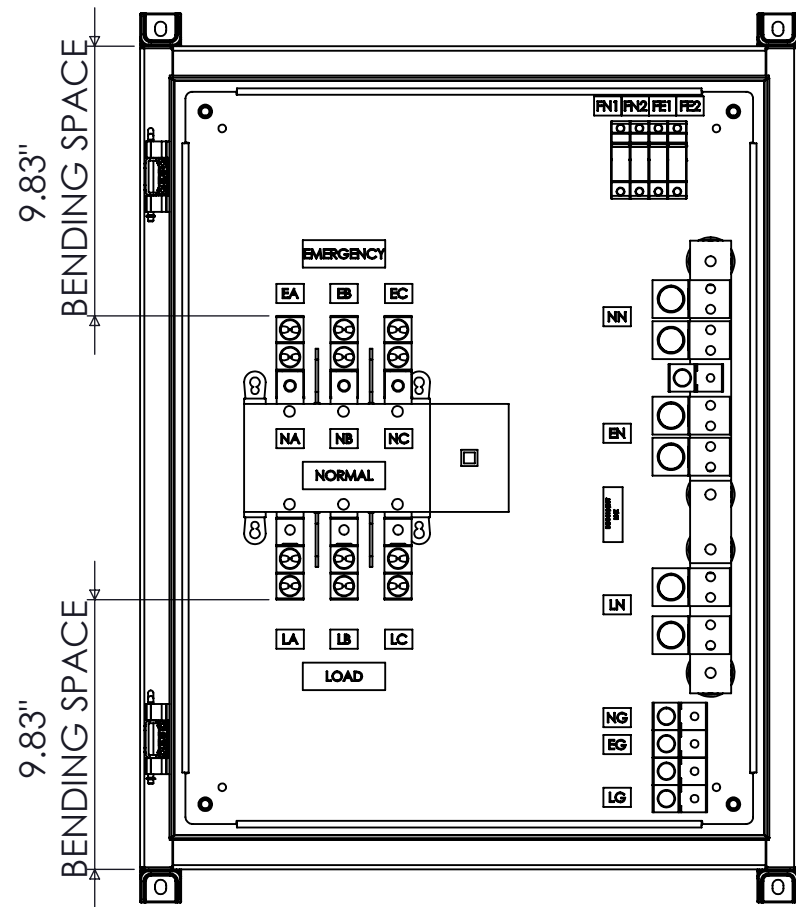
REV	DESCRIPTION	DATE	DRAWN	S.RICHARDSON
0	ORIGINAL RELEASE	12/12/13	CHECKED	
			SUP. NO	
			SUP. BY NO	
			PANEL NO	
			BUL. NO	
			GROUP NO	
			ORDER NO	

DRAWING TYPE
DIMENSIONAL

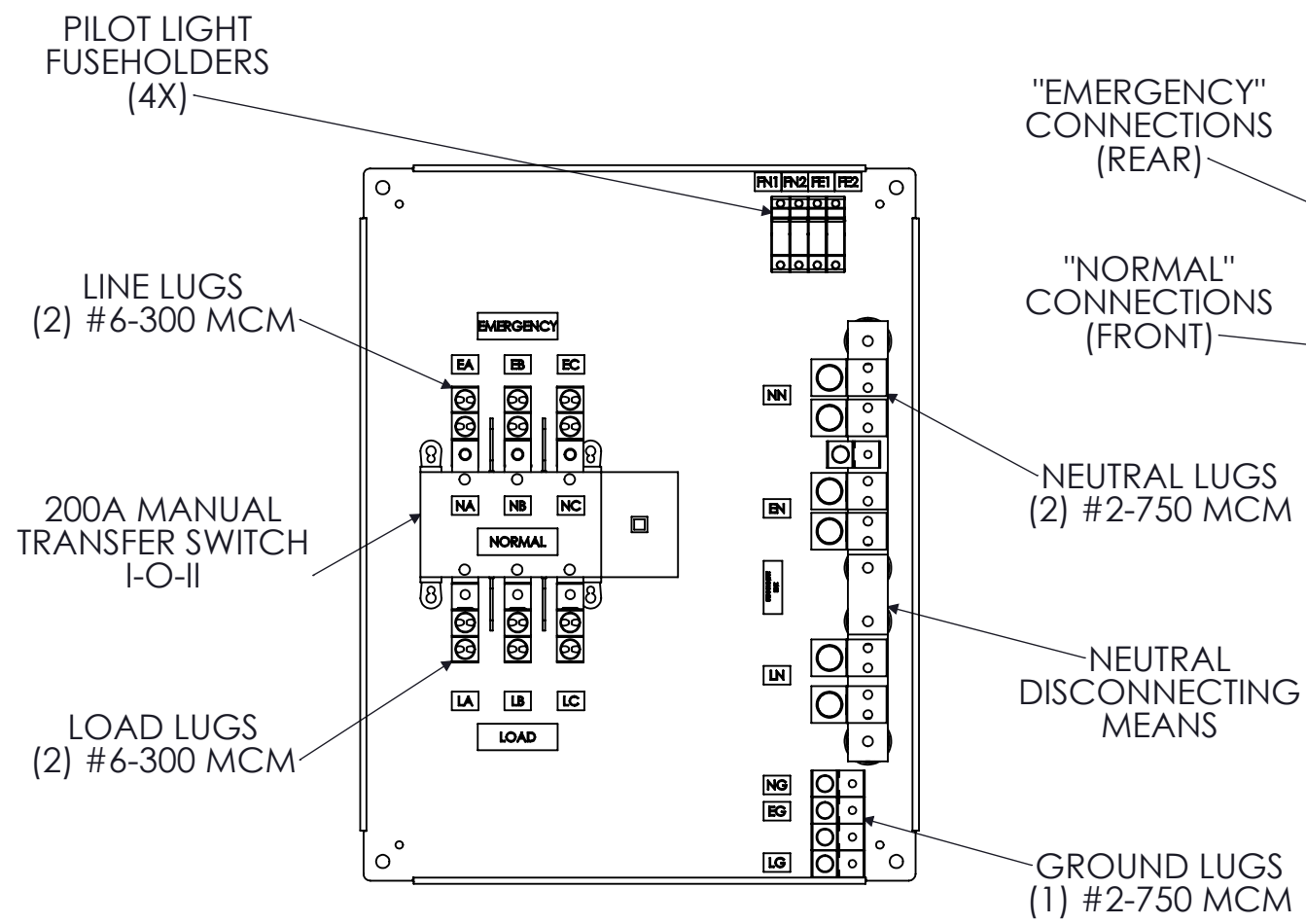
DRAWING NUMBER
STS200N4XNF3



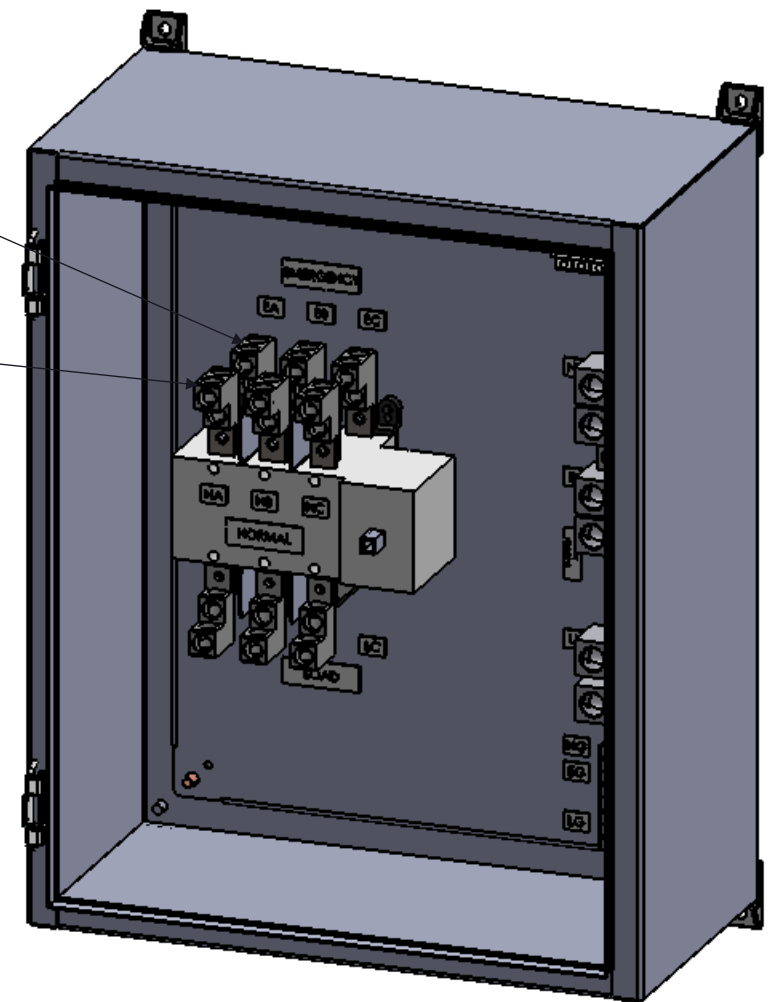
9900 TWIN LAKES PARKWAY
 CHARLOTTE, NC 28269
 704-596-5617
 PSICONTROLSOLUTIONS.COM



FRONT VIEW
DOOR REMOVED



FRONT VIEW
ENCLOSURE REMOVED



DIMETRIC VIEW
DOOR REMOVED

200A NON-FUSED 3-POLE NEMA 4X MANUAL TRANSFER SWITCH

REV	DESCRIPTION	DATE	DRAWN	S.RICHARDSON	CHECKED
0	ORIGINAL RELEASE	12/12/13			
			SUP. NO		DRAWING TYPE
			SUP. BY NO		OUTLINE
			PANEL NO		DRAWING NUMBER
			BUL. NO		STS200N4XNF3
			GROUP NO		
			ORDER NO		