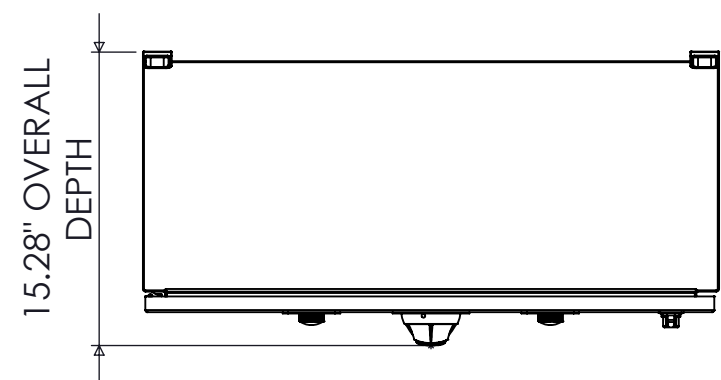


SPECIFICATIONS

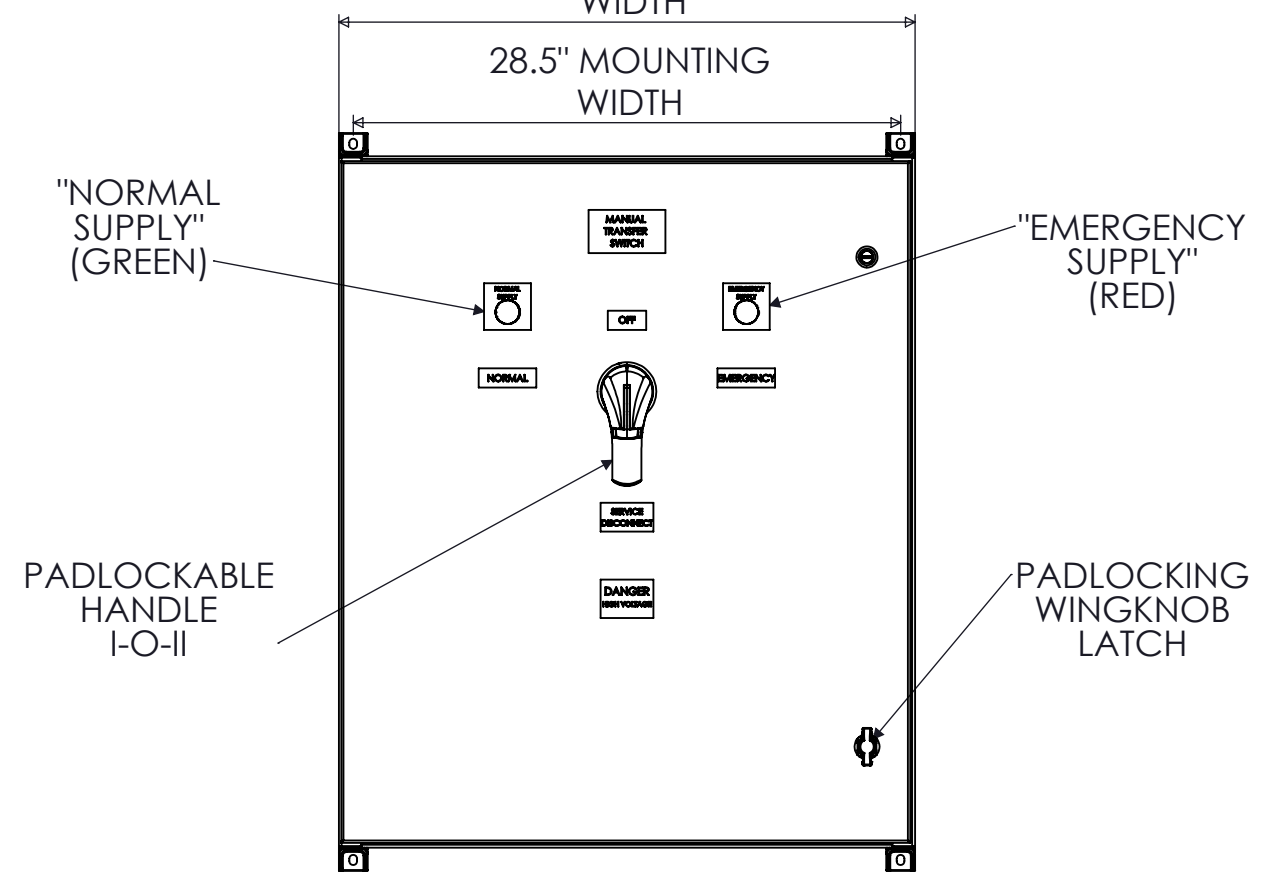
MAX VOLTAGE - 600VAC 3 ϕ
 RATED CURRENT - 200 A
 STANDARDS - UL508A
 ENCLOSURE RATING - NEMA 4X
 TYPE 316 STAINLESS STEEL
 REF. ES100145BF
 DURABILITY - 6050 CYCLES
 EST SHIPPING WEIGHT - 150LBS



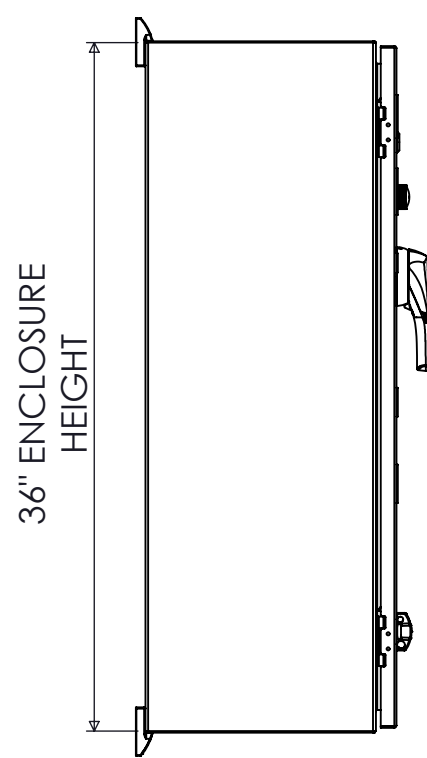
TOP VIEW

30" ENCLOSURE WIDTH

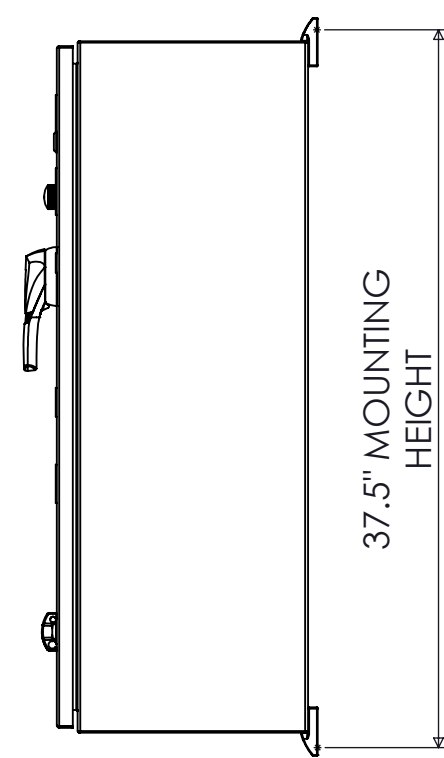
28.5" MOUNTING WIDTH



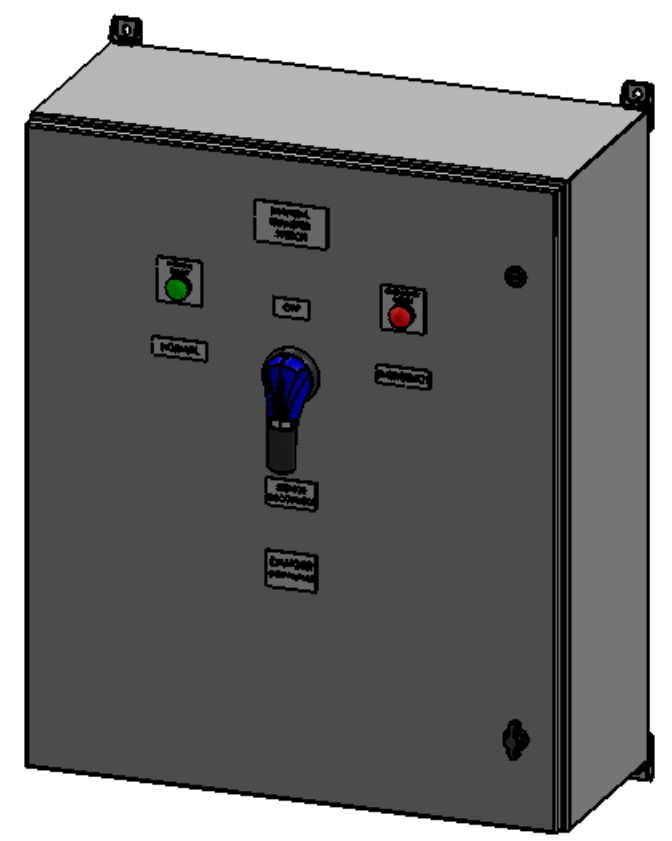
FRONT VIEW



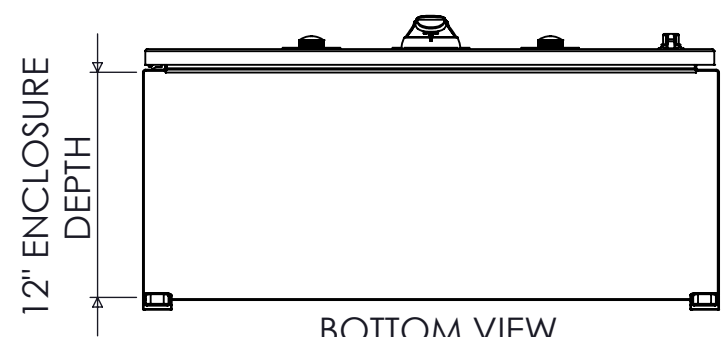
SIDE VIEW



SIDE VIEW



DIMETRIC VIEW

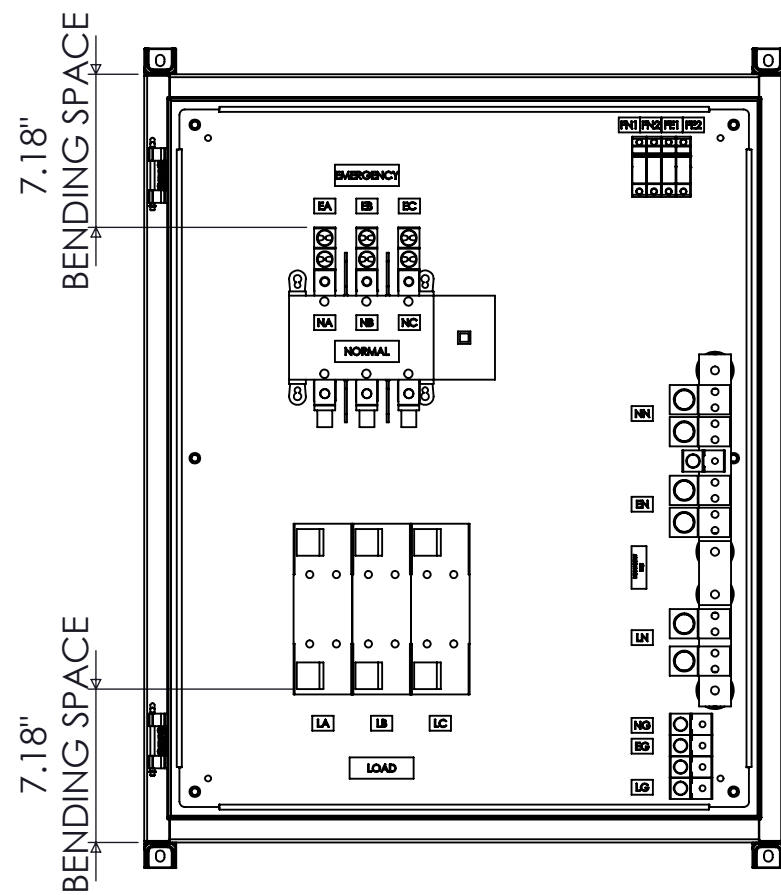


BOTTOM VIEW

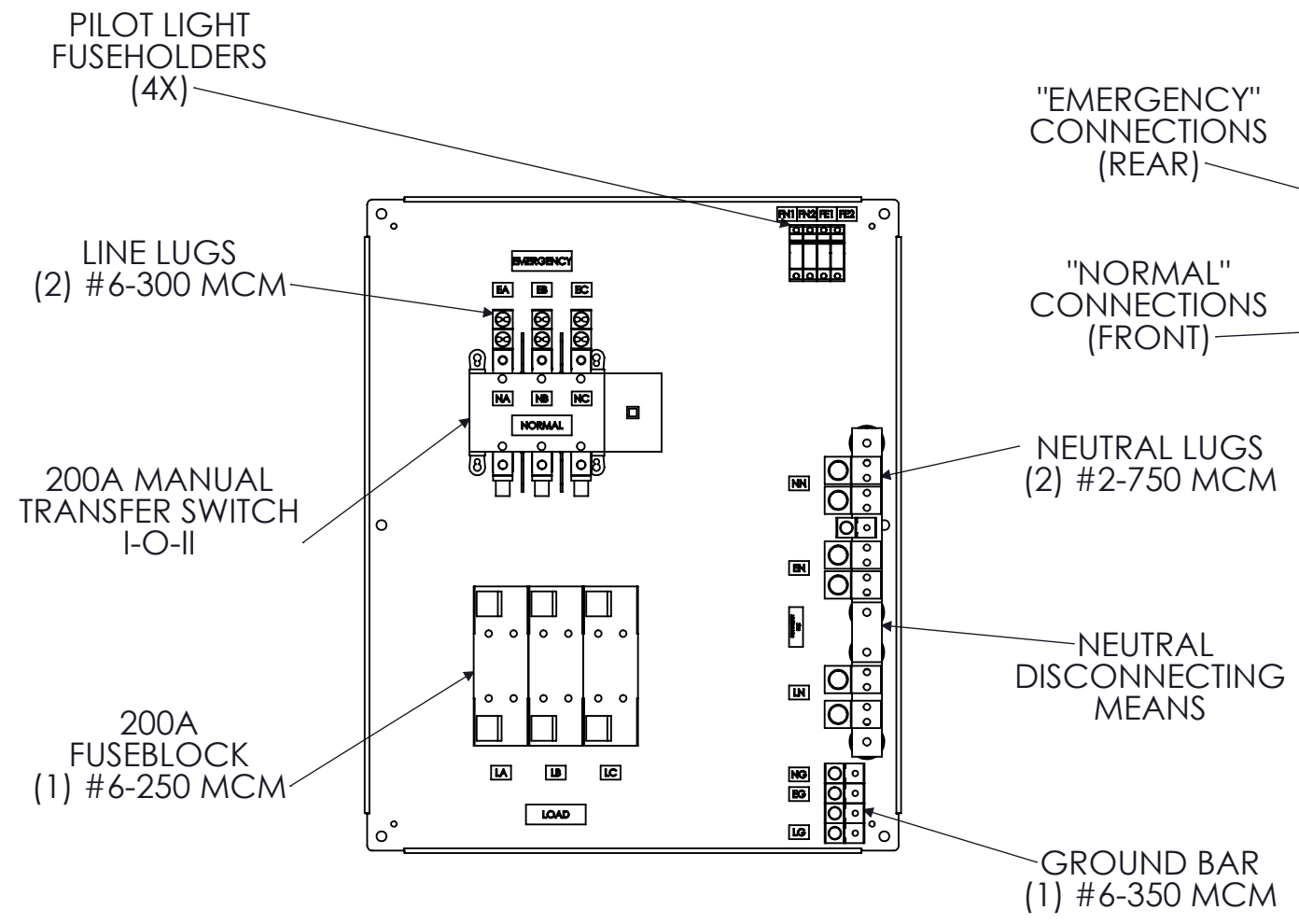
200A FUSIBLE 3-POLE NEMA 4X MANUAL TRANSFER SWITCH

REV	DESCRIPTION	DATE	DRAWN	S.RICHARDSON
0	ORIGINAL RELEASE	12/16/13	CHECKED	
			SUP. NO	DRAWING TYPE
			SUP. BY NO	DIMENSIONAL
			PANEL NO	DRAWING NUMBER
			BUL. NO	STS200N4XBF3
			GROUP NO	
			ORDER NO	

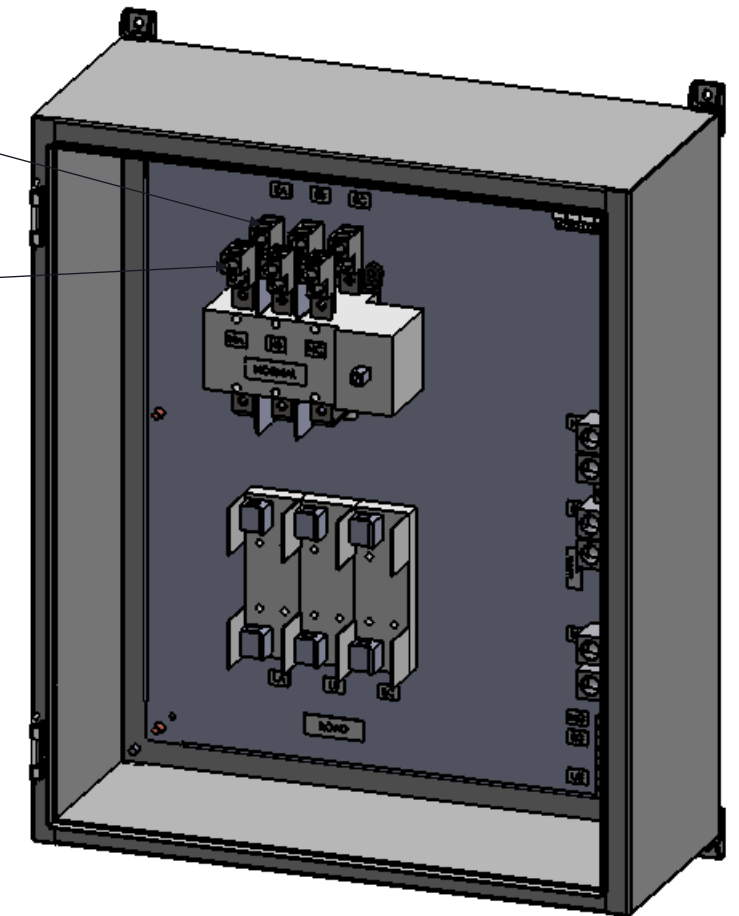

 9900 TWIN LAKES PARKWAY
 CHARLOTTE, NC 28269
 704-596-5617
 PSICONTROLSOLUTIONS.COM



FRONT VIEW
DOOR REMOVED



FRONT VIEW
ENCLOSURE REMOVED



DIMETRIC VIEW
DOOR REMOVED

NOTE: FUSES PROVIDED IF PURCHASED
 208-240VAC : FRN-R-200
 480-600VAC : LPJ-200SP

 9900 TWIN LAKES PARKWAY
 CHARLOTTE, NC 28269
 704-596-5617
 PSICONTROLSOLUTIONS.COM

200A FUSIBLE 3-POLE NEMA 4X MANUAL TRANSFER SWITCH					
REV	DESCRIPTION	DATE	DRAWN	S.RICHARDSON	
0	ORIGINAL RELEASE	12/16/13	CHECKED		
			SUP. NO	DRAWING TYPE	
			SUP. BY NO	OUTLINE	
			PANEL NO	DRAWING NUMBER	
			BUL. NO	STS200N4XBF3	
			GROUP NO		
			ORDER NO		